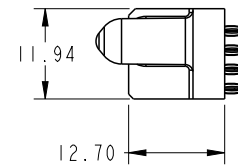
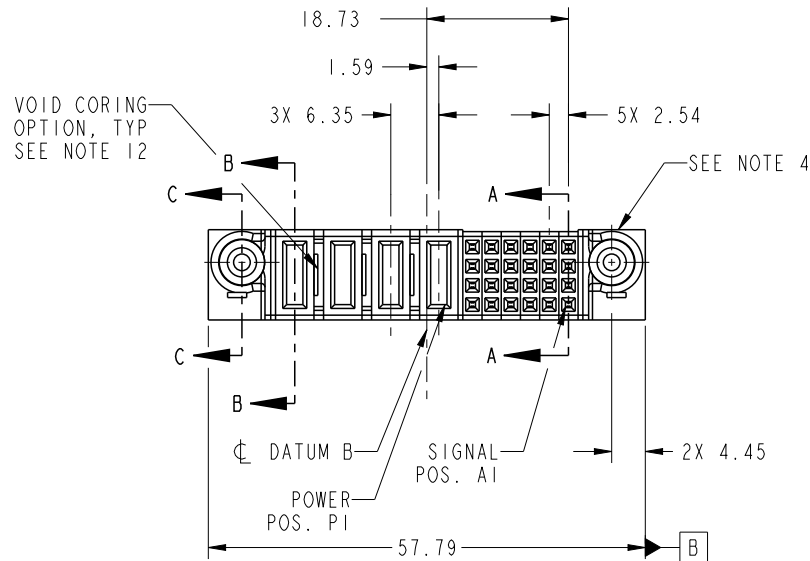


PRODUCT NO. 51940-423-- NOTE: 3	ROWS D C B A	POWER				SIGNAL					
		E2	P4	P3	P2	P1	6	5	4	3	2

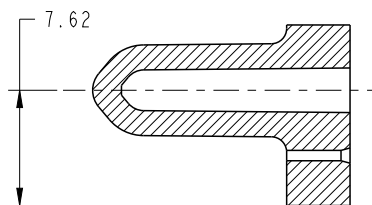
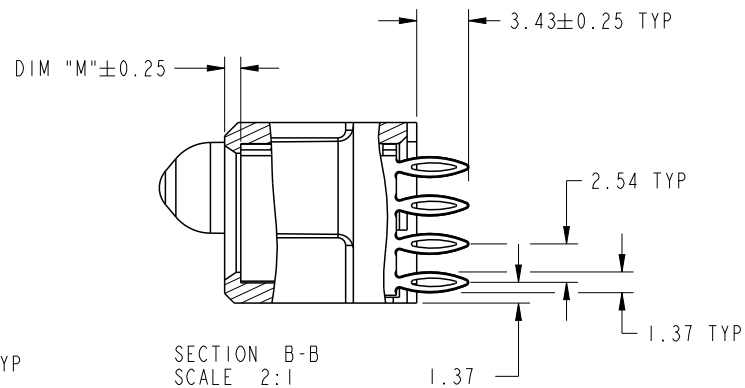
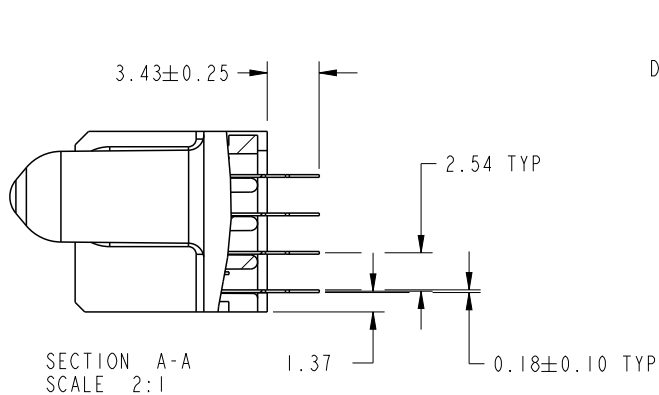


CODE	DIM "M" MATING LENGTH	CONTACT TYPE
PC	[1.07]	POWER
F	[N/A]	SIGNAL

spec ref	*	dr	Guang, Shi	2012/03/21	projection	MM	size	A4	scale	1:1																									
tolerance std	TOLERANCES UNLESS OTHERWISE SPECIFIED	eng	Guang, Shi	2012/04/11				ecn no	-																										
SEE NOTE		chr	-	-				product family	PwrBlade	rel level	Released																								
surface	<table border="1"> <tr> <td>linear</td> <td>0.X</td> <td>±0.5</td> </tr> <tr> <td></td> <td>0.XX</td> <td>±0.25</td> </tr> <tr> <td></td> <td>0.XXX</td> <td>±0.1</td> </tr> <tr> <td>angular</td> <td>0°</td> <td>±2°</td> </tr> </table>	linear	0.X	±0.5		0.XX	±0.25		0.XXX	±0.1	angular	0°	±2°	appr	Pei-Ming Zheng	2012/04/11		<table border="1"> <tr> <td>title</td> <td>24S + 4P</td> <td>dwg no</td> <td>51940-423</td> <td>rev</td> <td>A</td> </tr> <tr> <td></td> <td>VERTICAL PRESS FIT RECEIPT</td> <td></td> <td></td> <td></td> <td></td> </tr> </table>	title	24S + 4P	dwg no	51940-423	rev	A		VERTICAL PRESS FIT RECEIPT					<table border="1"> <tr> <td>cat. no.</td> <td>*</td> <td>Product - Customer Drw</td> <td>sheet 1 of 4</td> </tr> </table>	cat. no.	*	Product - Customer Drw	sheet 1 of 4
linear	0.X	±0.5																																	
	0.XX	±0.25																																	
	0.XXX	±0.1																																	
angular	0°	±2°																																	
title	24S + 4P	dwg no	51940-423	rev	A																														
	VERTICAL PRESS FIT RECEIPT																																		
cat. no.	*	Product - Customer Drw	sheet 1 of 4																																

PRODUCT NUMBER

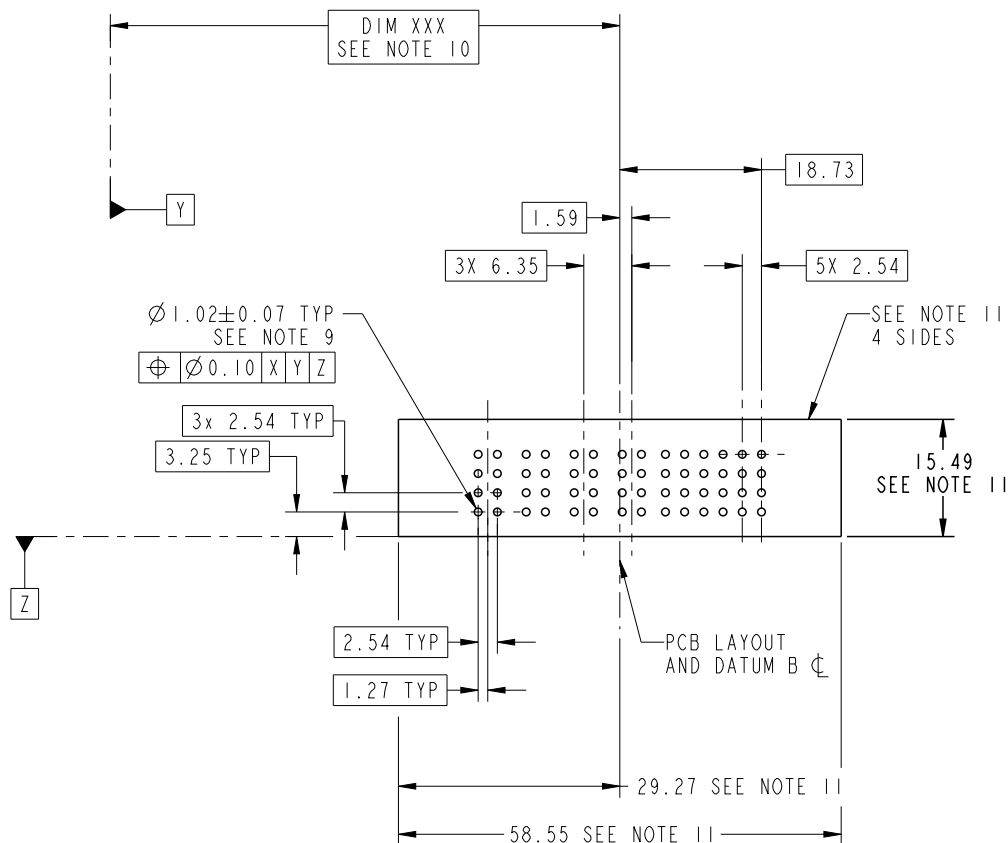
51940-423__
NOTE: 3



dr	Guang, Shi	2012/03/21	projection 	MM 	size	A4	scale	1:1
eng	Guang, Shi	2012/04/11			ecn no	-		
chr	-	-			rel level	Released		
appr	Pei-Ming Zheng	2012/04/11	product family	PwrBlade	rev	A		
	title	24S + 4P VERTICAL PRESS FIT RECEIPT		dwg no	51940-423			
www.fci.com	cat. no.	*	Product - Customer Drw		sheet 2 of 4			

PRODUCT NUMBER

51940-423__
NOTE: 3



RECOMMENDED PCB LAYOUT

dr	Guang, Shi	2012/03/21	projection 	MM 	size	A4	scale	1:1			
eng	Guang, Shi	2012/04/11			ecn no	-					
chr	-	-			rel level	Released					
appr	Pei-Ming Zheng	2012/04/11	product family	PwrBlade	rev	A					
	title	24S + 4P		dwg no	51940-423		www.fci.com	cat. no.	*	Product - Customer Drw	sheet 3 of 4
			VERTICAL PRESS FIT RECEPT								

PRODUCT NUMBER

51940-423__
NOTE: 3

NOTES:

1. DIMENSIONS AND TOLERANCES ARE IN ACCORDANCE WITH ASME Y14.5M, 1994 UNLESS OTHERWISE SPECIFIED.

CONNECTOR NOTES:

- 2 HOUSING MATERIAL: UL 94 V-0 GLASS FILLED HIGH-TEMP THERMOPLASTIC
POWER CONTACT MATERIAL: COPPER ALLOY
SIGNAL PIN MATERIAL: COPPER ALLOY
 - 3. SEE ITEM 7 & 8 IN PRINT 10064183 FOR PLATING SPEC OF 51940-423 AND 51940-423LF RESPECTIVELY.
 - 4 MANUFACTURER'S NAME, DATE CODE AND OPTIONAL P/N TO APPEAR ON THIS SURFACE. THE P/N CAN BE OMITTED IF THERE IS NOT ENOUGH SPACE ON THIS SURFACE.
 - 5. PRODUCT SPECIFICATION GS-12-149.
APPLICATION SPECIFICATION BUS-20-067.
 - 6. PACKAGED IN TRAYS.
- PCB NOTES:
- 7. ALL HOLE DIAMETERS ARE FINISHED HOLE SIZE.
 - 8 MOUNTING HOLES, WHERE APPLICABLE, ARE UNPLATED.
 - 9 $\varnothing 1.151 \pm 0.025$ DRILLED HOLES PLATED WITH
0.008 MIN SnPb OR Sn OVER 0.03
TO 0.08 Cu PLATING TO ACHIEVE
 $\varnothing 1.02 \pm 0.07$ HOLE.
 - 10 "DIM XXX" TO BE DETERMINED BY THE CUSTOMER.
 - 11 CONNECTOR KEEP-OUT ZONE.
 - 12. THE VOID CORING IN BETWEEN POWER MODULES, SIGNAL MODULES AND END MODULES ARE OPTIONAL AND THE SHAPE MAY BE DIFFERENT FOR OPTIMIZE THE MOLDING PROCESS. THE VOID CORING WILL NOT EFFECT TO PRODUCT FUNCTION.

dr	Guang, Shi	2012/03/21	projection 	MM 	size	A4	scale	1:1		
eng	Guang, Shi	2012/04/11			ecn no	-				
chr	-	-			product family	PwrBlade	rel level	Released		
appr	Pei-Ming Zheng	2012/04/11			title	24S + 4P	dwg no	51940-423	rev	A
www.fci.com		cat. no.	*	Product - Customer Drw			sheet 4 of 4			