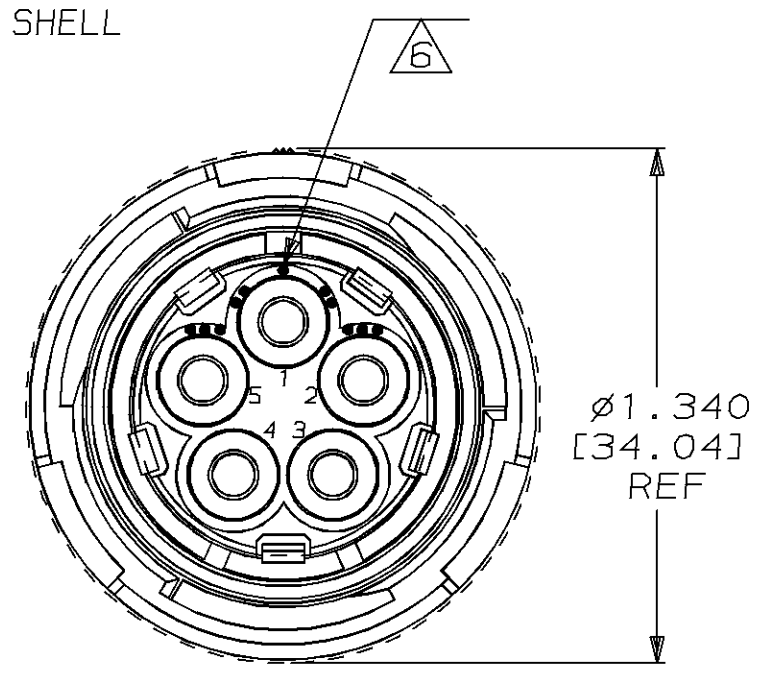
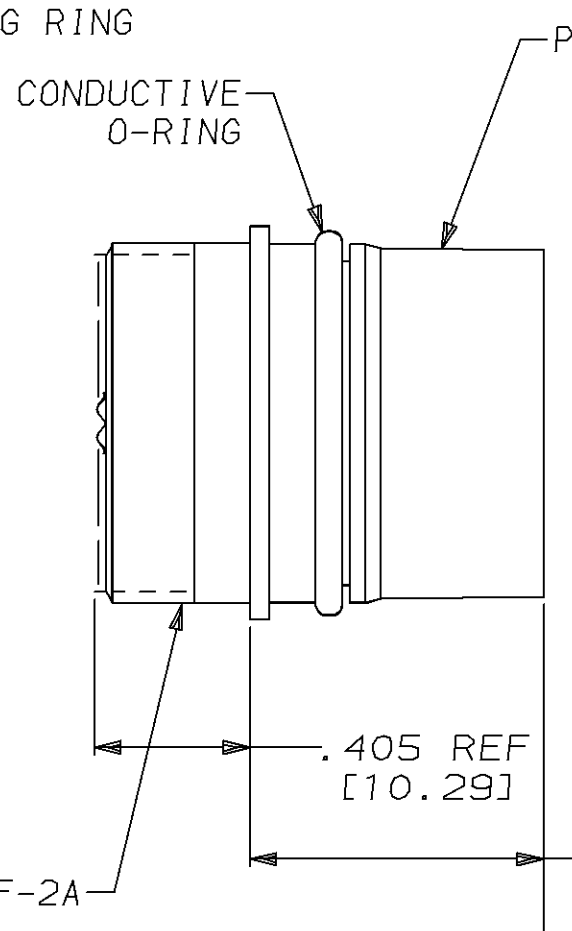
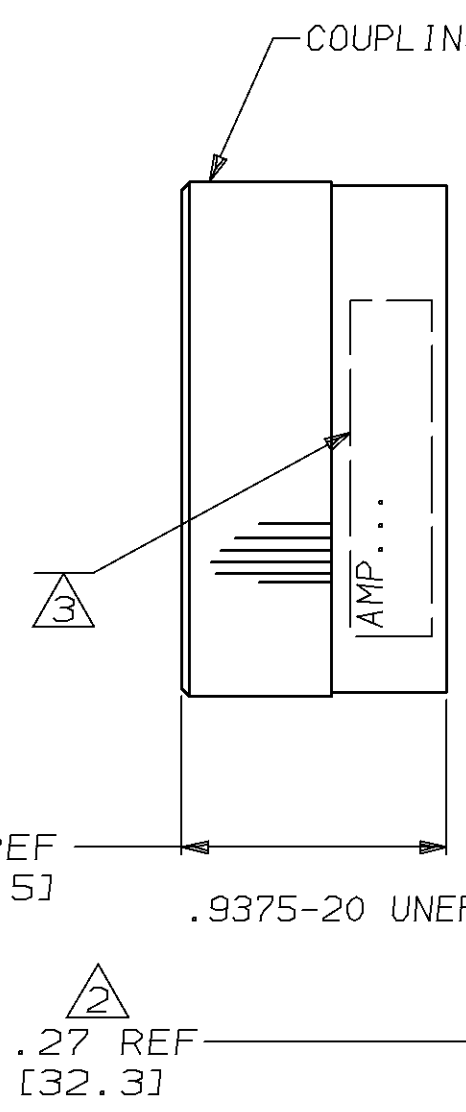
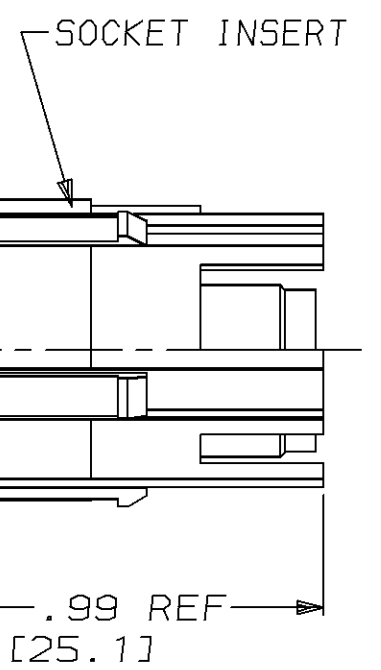
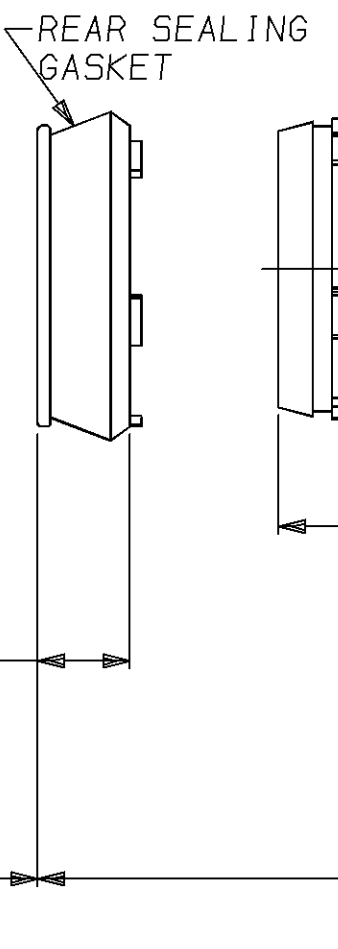
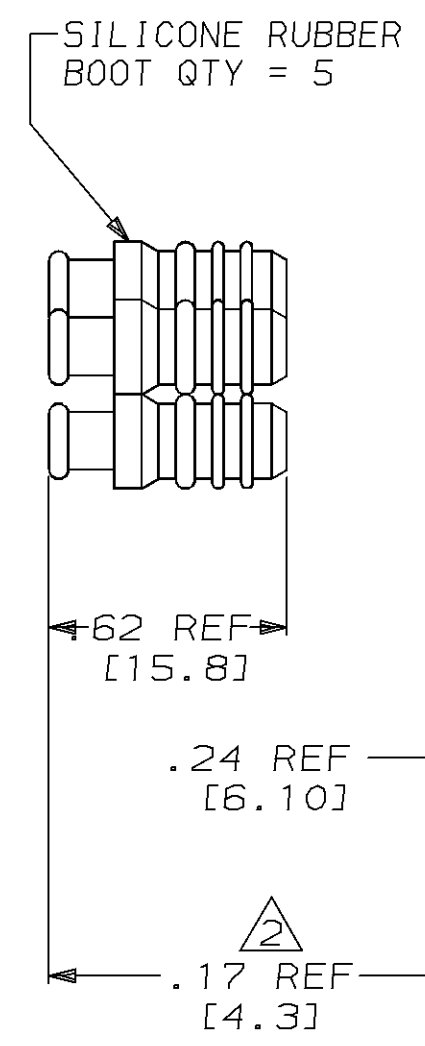
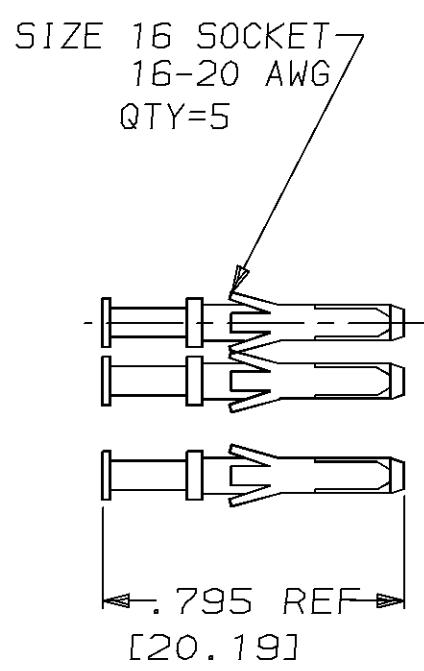


PROD	LOC	DIST	P	F	ZONE	LTR	DESCRIPTION	DATE	APPD
4081	DF	50				L	REV PER ECO 10-006747 CT	4-10	DE



- THIS PLUG REQUIRES A SIZE 16 MIL-C-38999F BACKSHELL OR EQUIVALENT STRAIN RELIEF.
- THE INDICATED DIMENSIONS APPLY AFTER ASSEMBLY. COMPLETE OVERALL DIMENSIONS AFTER ASSEMBLY DEPEND UPON THE SPECIFIC BACKSHELL OR STRAIN RELIEF USED.
- MARKED PER MIL-STD-130, .06 HIGH CHARS., WITH WHITE INK. SEE TABLE FOR SPECIAL MARKING.
- TO ASSEMBLE SEE INSTRUCTION SHEET #864886-2.
- THE THREE OUTER COUPLING RING LATCHES ARE BONDED TO INNER HELIX RING WITH AN EPOXY BASE ADHESIVE.
- SINGLE DOT POLARIZATION SHOWN FOR REFERENCE ONLY.

OBSOLETE	(00779/AMP 864065-4) DATE CODE	49956-848285-8B REV M	864065-4
OBSOLETE	(00779/AMP 864065-3) DATE CODE	49956-848285-8A REV M	864065-3
OBSOLETE	(00779/AMP 864065-2) DATE CODE	49956-848285-8 REV M	864065-2
	(00779/AMP 864065-1) DATE CODE	-	864065-1
AMP INFO		CUSTOMER INFO	PART NO.

DO NOT SCALE PRINT. UNLESS SPECIFIED DIMENSIONS IN INCHES [mm] TOLERANCES ON : 2 PLC DEC ± - 3 PLC DEC ± - ANGLES ± -	DR 9-13-95 C.C. THOMAS	AMP Incorporated Harrisburg, PA 17105-3608		
	CHK 9-19-95 S. GLATFELTER			
MATERIAL	APPD 9-19-95 S. GLATFELTER	NAME		
	RLSE 9-19-95 C.C. THOMAS	PLUG KIT, 5 POSN., LGH		
FINISH	PRODUCT SPEC	SIZE	CAGE CODE	DRAWING NO
	APPLICATION SPEC	C	00779	G=864065
	WEIGHT	SCALE	2:1	SHEET
				1 OF 1

THIS DRAWING IS A CONTROLLED DOCUMENT FOR AMP INCORPORATED. IT IS SUBJECT TO CHANGE AND THE CONTROLLING ENGINEERING ORGANIZATION SHOULD BE CONTACTED FOR THE LATEST REVISION.