

5

4

3

2

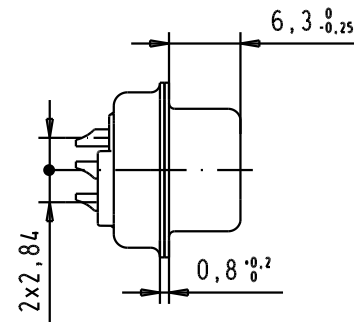
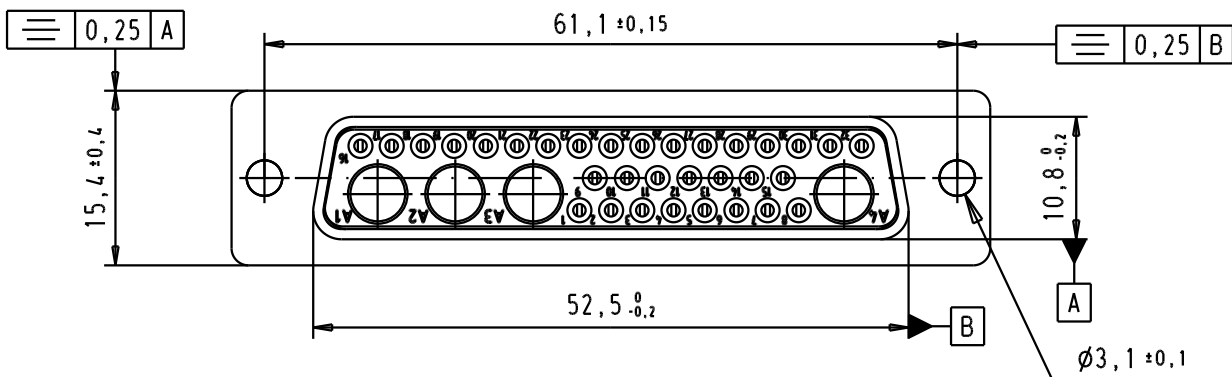
1

D

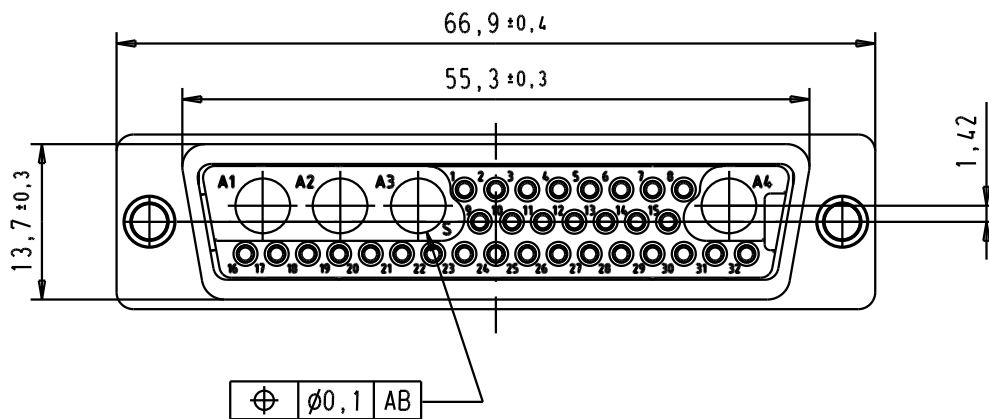
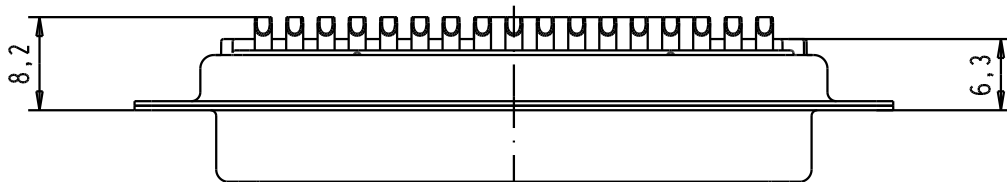
C

B

A



Solder bucket for AWG 20 Max



09 69 501 7364	PL3
09 69 501 5364	S4
part number	performance level

33100	15/09/05	JMDR
Mod.	Dat.	Name

	Dat.	Name
Detail.	15/09/05	JMDR
Insp.		
Stand.		
HARTING EURL F-95972 Paris		

All Dim. in mm
Orig. Size DIN A 4

D-sub, female, straight, 36W4 without power contact, solder bucket, tin plated shell with holes
TB 09 69 501 x364
Sub.

Maßstab/ Scale
1,5:1
Blatt/ Page
1 / 1