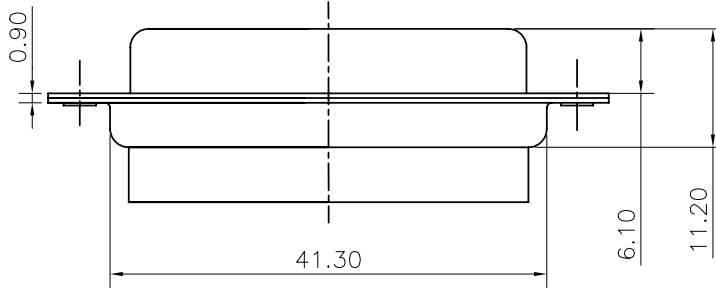
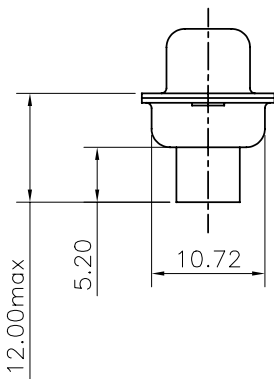
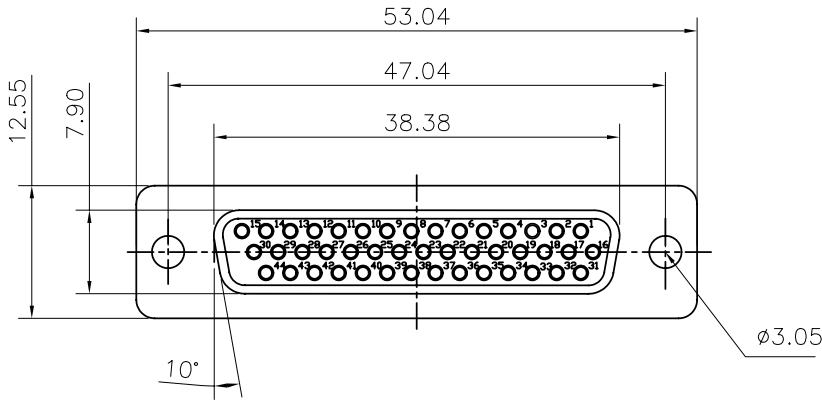


This document is the property of Amphenol Corporation and is delivered on the express condition that it is not to be disclosed, reproduced or used, in whole or in part, for manufacture or sale by anyone other than Amphenol Corporation without its prior consent, & that no right is granted to disclose or to use any information in this document.



Customer drawing

REVISIONS				
SYM	ECN	DESCRIPTION	DATE	APPROVED
A			11/14/2007	

D-SUB TECHNICAL DATA

SHELL : Steel 2.5um (100u") min tin over 1.25um (50u") min nickel
 BODY : Glass filled thermoplastic.
 Flame retardant to UL94 V-0 Color Black

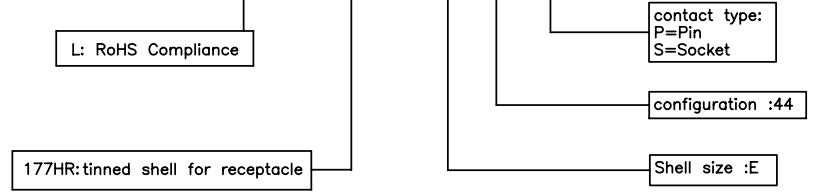
ELECTRICAL : Voltage rating : 500 V RMS at 50 Hz, Current rating 5A.
 Insulation resistance >1000 M Ohms

CLIMATIC : Temperature range -55 °C up to 105°C
 Damp heat 56 days(40 °C-95% HR)

MARKING : Amphenol...(Series No.)
 Commercial reference
 Manufacturing date

PRODUCT CODE

L 177HR B 44 S



UNLESS OTHERWISE SPECIFIED TOLERANCES		APPROVAL		DATE	Amphenol	
	U.S.	METRIC	DRAWN	Sunny.Li		
.X	+/-	0.4	CHECKED	14E.wang	11/14/07	TITLE HR series
.XX	+/-	0.30	CHECKED			
.XXX	+/-	0.20	DRAWING FILE : PE master/drawing/Dsub			SIZE DRAWING NO. A4 C L177HRB44S
FRACTIONS	+/-		REMOVE SHARP EDGES			
ANGLES	+/-	2'	ANGLE OF PROJECTION			REVISIONS REV. A
DIMENSIONS			SCALE NONE			
U.S. INCHES			SHEET 1 OF 1			
METRIC MM						