

33	31.05	29	52808-3029	30
32	30.05	28	-2929	29
31	29.05	27	-2829	28
30	28.05	26	-2729	27
29	27.05	25	-2629	26
28	26.05	24	-2529	25
27	25.05	23	-2429	24
26	24.05	22	-2329	23
25	23.05	21	-2229	22
24	22.05	20	-2129	21
23	21.05	19	-2029	20
22	20.05	18	-1929	19
21	19.05	17	-1829	18
20	18.05	16	-1729	17
19	17.05	15	-1629	16
18	16.05	14	-1529	15
17	15.05	13	-1429	14
16	14.05	12	-1329	13
15	13.05	11	-1229	12
14	12.05	10	-1129	11
13	11.05	9	-1029	10
12	10.05	8	-0929	9
11	9.05	7	-0829	8
9	7.05	5	-0629	6
8	6.05	4	-0529	5
7	5.05	3	52808-0429	4
6				
4				
G	C	B	A	MATERIAL NO.
				極数 CIRCUIT

注記 NOTES:

1. 使用材料 MATERIAL

ハウジング: PPS, UL94V-0 HOUSING: PPS, UL94V-0

ターミナル: リン青銅 TERMINAL: PHOSPHOR BRONZE

メッキ: ニッケル下地 鍍ビスマスメッキ PLATING: TIN-BISMUTH OVER NICKEL PLATING

テープ: ポリイミド (t=50 $\mu$ m) TAPE: PI (t=50 $\mu$ m)

△基準面 E からソルダーテールの半田付け面のスレ量は、上方に0.1MAX.、下方に0.15MAX.とする。

MISALIGNMENT OF SOLDER TAIL FROM E: UPPER DIRECTION 0.1MAX., LOWER DIRECTION 0.15 MAX.

△偶数極に適用。

APPLY FOR EVEN CKT.

4. 本製品は 52808-\*\*20 の鉛フリー品である。

THIS PRODUCT IS LEAD FREE OF 52808-\*\*20.

FPCについて:

打抜き方向は導体側から補強板を推奨致します。

補強フィルム材質はポリイミドを推奨致します。

接着剤は熱硬化接着剤を推奨致します。

ABOUT FPC:

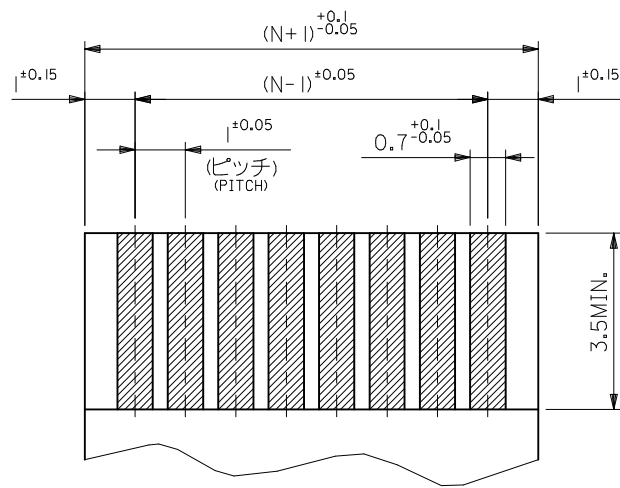
RECOMMENDED PUNCHER DIRECTION: FROM CONDUCTOR SIDE TO STIFFENER BOARD SIDE.

RECOMMENDED MATERIAL:

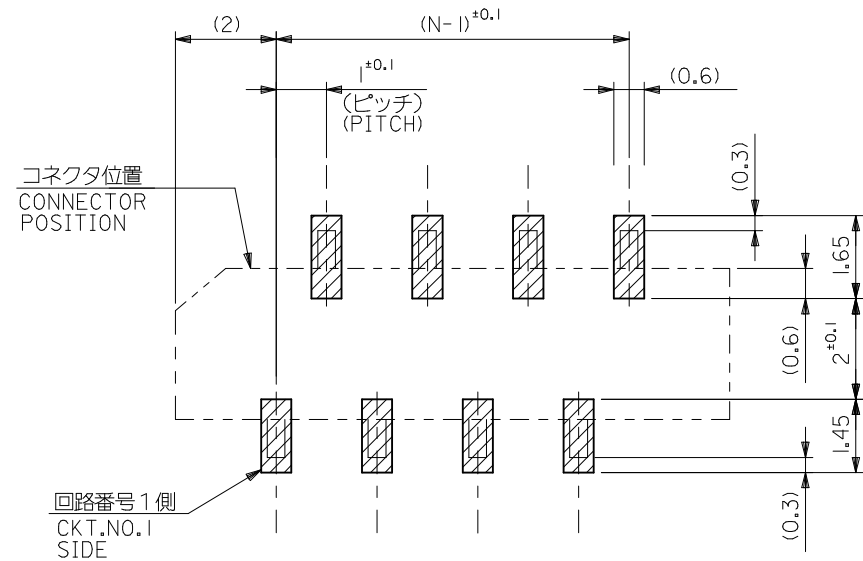
STIFFENER FILM: POLYIMIDE

BONDING AGENT: THERMOSETTING BONDING AGENT

REVISED EC NO: J2015-0830 DRWN: N.SANUMA 2014/12/19 CHKD: K.AKASHI 2015/02/06 APPR: Y.NOGAWA 2015/02/23	GENERAL TOLERANCES (UNLESS SPECIFIED)		DIMENSION STYLE		SCALE	DESIGN UNITS	THIRD ANGLE PROJECTION
	0.25 UNDER	UNDER	$\pm 0.03$	MM ONLY	10:1	METRIC	
	0.25 OVER	0.5 UNDER	$\pm 0.05$	DRAWN BY	DATE	TITLE	
	0.5 OVER	1.0 UNDER	$\pm 0.1$	MNINOMIYA	2004/02/09	1.0 FFC CONN. NON ZIF SMT ST (WITH TAPE) -LEAD FREE-	
	1.0 OVER	10 UNDER	$\pm 0.2$	CHECKED BY	DATE		
	10 OVER	30 UNDER	$\pm 0.25$	KTOJO	2004/02/09		
	30 OVER		$\pm 0.3$	APPROVED BY	DATE		
	ANGULAR	$\pm 3^\circ$		MSASAO	2004/02/09		
	DRAFT WHERE APPLICABLE MUST REMAIN WITHIN DIMENSIONS		SIZE	MATERIAL NO.		DOCUMENT NO.	SHEET NO.
			A3	SEE CHART		SD-52808-025	1 OF 2
	THIS DRAWING CONTAINS INFORMATION THAT IS PROPRIETARY TO MOLEX INCORPORATED AND SHOULD NOT BE USED WITHOUT WRITTEN PERMISSION						



(仕上がり厚さ)  $0.3^{+0.03}$   
 THICKNESS  
 適合FPC/FFC推奨寸法  
 APPLICABLE FPC/FFC  
 RECOMMENDED DIMENSION.

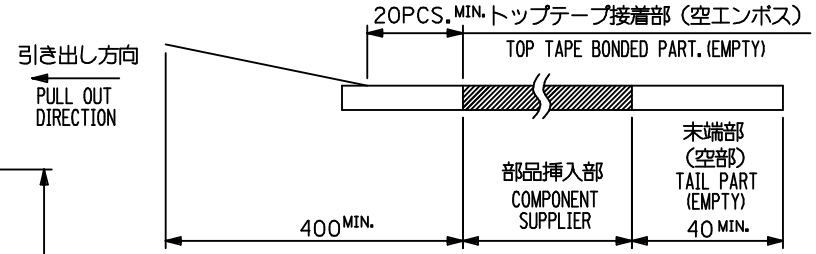


参考基板レイアウト (マウント面)  
 RECOMMENDED P.C.BOARD  
 PATTERN DIMENSION. (REF.)  
 (MOUNTING AREA)

SEE SHEET 1 OF 2 EC NO.: J2015-0830 DRWN: SANUMA 2014/12/19 CHKD: TAKAHASHI 2015/02/06 APPR: YNOGAWA 2015/02/23	GENERAL TOLERANCES (UNLESS SPECIFIED)			DIMENSION STYLE MM ONLY		SCALE 10:1	DESIGN UNITS METRIC	THIRD ANGLE PROJECTION
	0.25 UNDER	UNDER	±0.03	DRAWN BY	DATE	TITLE		
	0.25 OVER	0.5 UNDER	±0.05	MNINOMIYA	2004/02/09	1.0 FFC CONN. NON ZIF SMT ST (WITH TAPE) -LEAD FREE-		
	0.5 OVER	1.0 UNDER	±0.1	CHECKED BY	DATE			
	1.0 OVER	10 UNDER	±0.2	KTOJO	2004/02/09			
	10 OVER	30 UNDER	±0.25	APPROVED BY	DATE			
30 OVER		±0.3	MSASAO	2004/02/09	MATERIAL NO.	DOCUMENT NO.	SHEET NO.	
ANGULAR	±3 °		SEE SHEET 1 OF 2		SD-52808-025		2 OF 2	
DRAFT WHERE APPLICABLE MUST REMAIN WITHIN DIMENSIONS				SIZE A3	THIS DRAWING CONTAINS INFORMATION THAT IS PROPRIETARY TO MOLEX INCORPORATED AND SHOULD NOT BE USED WITHOUT WRITTEN PERMISSION			

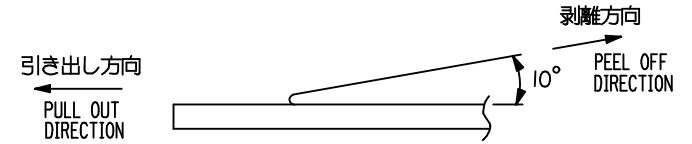
NOTES

- 製品詳細寸法については図面 SD-52808-025 を参照下さい。  
RE DETAILED DIMENSION, SEE SD-52808-025.
- 梱包数量：1000個/リール  
NUMBER OF CONNECTORS : 1000PCS/REEL
- リードテープ長さ LEAD TAPE LENGTH



- トップテープの剥離強度：0.1N ~ 1.3N(10gf ~ 130gf)  
(剥離方向は下図参照)

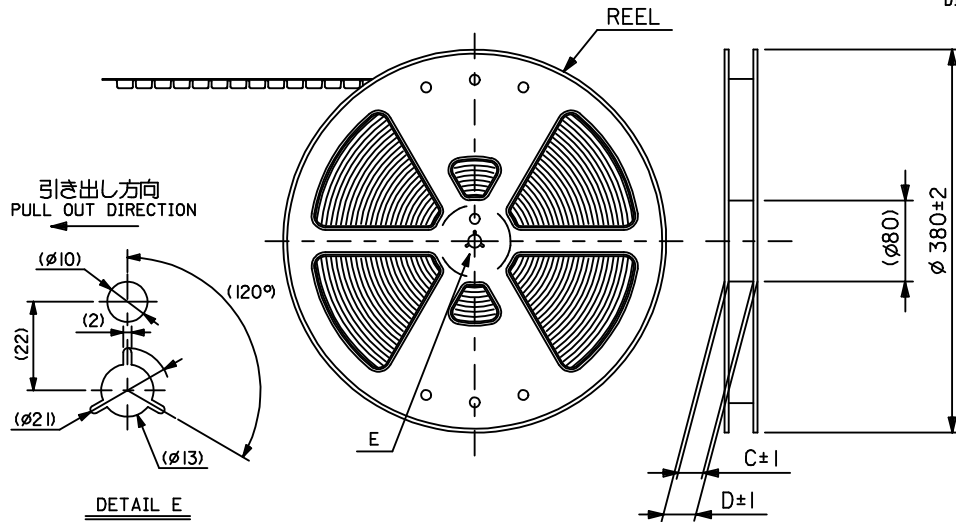
尚、本規格値は出荷時に適用。(但し、輸送時に剥離が発生しないこと。)  
PEELING OFF FORCE OF TOP TAPE : 0.1N ~ 1.3N(10gf ~ 130gf)  
(PEELING DIRECTION AS SHOWN IN FOLLOWING FIG.)  
THIS REQUIREMENT SHOULD BE APPLIED AT SHIPMENT.  
PEEL OFF SHOULD NOT BE ALLOWED , DURING TRANSPORTATION.



- 材料 (MATERIAL)  
キャリアテープ (CARRIER TAPE) : ポリプロピレン (POLYPROPYLENE)  
トップテープ (TOPTAPE) : PET , PE , PEF  
リール (REEL) : ポリスチレン (PS) <リサイクル材を含む>  
POLYSTYRENE (PS) <RECYCLE MATERIAL CONTAINED>

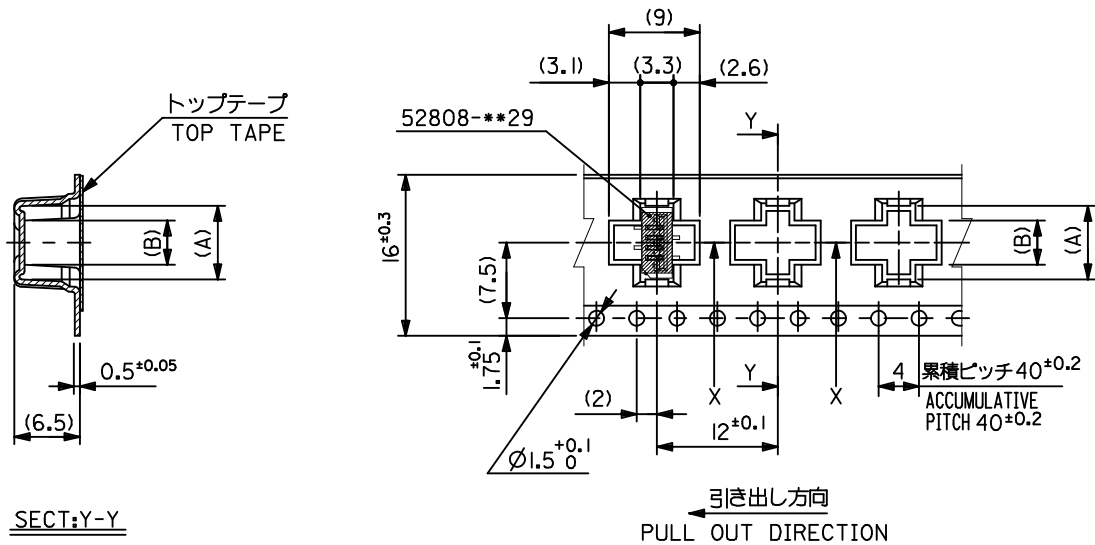
- MXI 製造製品は紙リールを使用すること。  
ONLY MXI PRODUCT ITEM SHOULD USE CARD BOARD REEL.

- 本製品は 52808-\*\*\*9I の鉛フリー品である。  
THIS PRODUCT IS LEAD FREE OF 52808-\*\*\*9I.



MODEL NO.		52808-***71		
GENERAL TOLERANCES (UNLESS SPECIFIED)		DIMENSION STYLE		SCALE
		MM ONLY		---
		DESIGN UNITS		THIRD ANGLE PROJECTION
		METRIC		◎ □
DRAWN BY		DATE	TITLE	
MNINOMIYA		2004/02/09	1.0 FFC CONN NON ZIF SMT	
CHECKED BY		DATE	ST WITH TAPE EMBSTP PKG	
KTOJO		2004/02/09	-LEAD FREE-	
APPROVED BY		DATE	<b>molex</b>	
MATERIAL NO.		DOCUMENT NO.		
SEE CHART		SD-52808-026		SHEET NO.
SIZE		THIS DRAWING CONTAINS INFORMATION THAT IS PROPRIETARY TO MOLEX INCORPORATED AND SHOULD NOT BE USED WITHOUT WRITTEN PERMISSION		
A3				

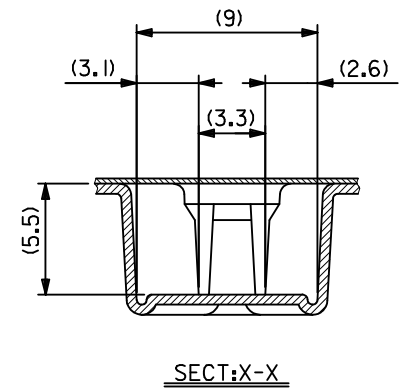
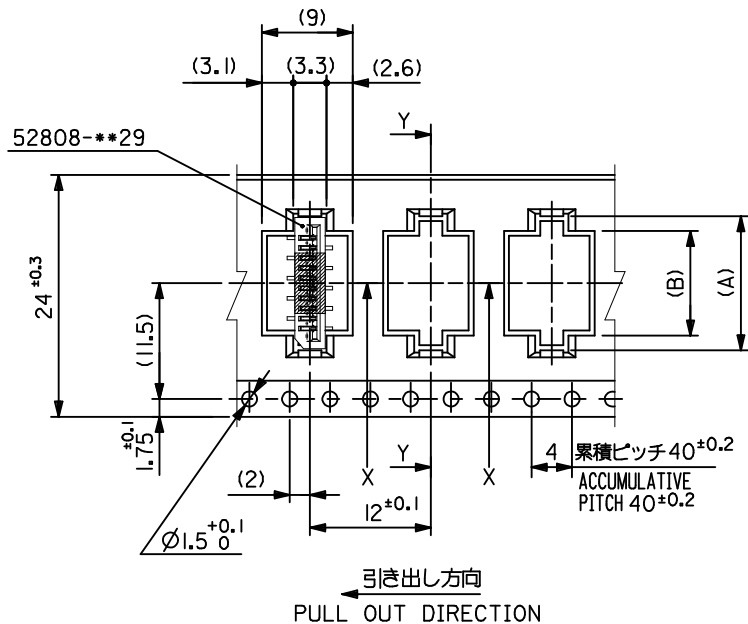
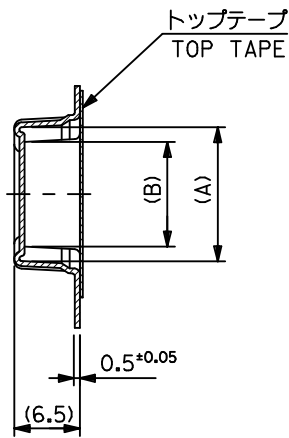
REVISED EC NO: J2015-0830 DRWN:SANUMA 2014/12/18 CHKD:KAKAHASHI 2015/02/06 APPR:YNOGAWA 2015/02/23	DESCRIPTION	GENERAL TOLERANCES (UNLESS SPECIFIED)	DIMENSION STYLE	SCALE	DESIGN UNITS	THIRD ANGLE PROJECTION
		0.25 UNDER UNDER ±0.03	MM ONLY	---	METRIC	◎ □
		0.25 OVER 0.5 UNDER ±0.05				
		0.5 OVER 1.0 UNDER ±0.1				
		1.0 OVER 10 UNDER ±---				
		10 OVER 30 UNDER ±---				
	30 OVER ±---					
	ANGULAR ±--- °					
		DRAFT WHERE APPLICABLE MUST REMAIN WITHIN DIMENSIONS	SIZE	THIS DRAWING CONTAINS INFORMATION THAT IS PROPRIETARY TO MOLEX INCORPORATED AND SHOULD NOT BE USED WITHOUT WRITTEN PERMISSION		
			A3			



16mm幅キャリアテープ  
16mm WIDTH CARRIER TAPE

16	21.4	17.4	5.4	8.3	52808-0571	5
			4.4	7.3	52808-0471	4
キャリアテープ幅 CARRIER TAPE WIDTH	D	C	(B)	(A)	MATERIAL NO.	種数 CKT.
MODEL NO.					52808-**-71	

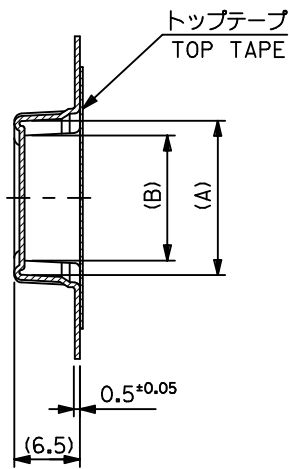
SEE SHEET 1 OF 6 EC NO.: J2015-0830 DRWN: SANUMA 2014/12/18 CHKD: TAKAHASHI 2015/02/06 APPR: YNOGAWA 2015/02/23	GENERAL TOLERANCES (UNLESS SPECIFIED)			DIMENSION STYLE MM ONLY		SCALE ---	DESIGN UNITS METRIC	THIRD ANGLE PROJECTION	
	0.25 UNDER	UNDER	±0.03	DRAWN BY	DATE	TITLE			
	0.25 OVER	0.5 UNDER	±0.05	MNINOMIYA	2004/02/09	1.0 FFC CONN NON ZIF SMT ST WITH TAPE EMBSTP PKG -LEAD FREE-			
	0.5 OVER	1.0 UNDER	±0.1	CHECKED BY	DATE	<b>molex</b>			
	1.0 OVER	10 UNDER	±---	KTOJO	2004/02/09				
10 OVER	30 UNDER	±---	APPROVED BY	DATE	MATERIAL NO.	DOCUMENT NO.	SHEET NO.		
30 OVER		±---	SEE CHART		SD-52808-026		2 OF 6		
ANGULAR	±--- °		THIS DRAWING CONTAINS INFORMATION THAT IS PROPRIETARY TO MOLEX INCORPORATED AND SHOULD NOT BE USED WITHOUT WRITTEN PERMISSION						
DRAFT WHERE APPLICABLE MUST REMAIN WITHIN DIMENSIONS									



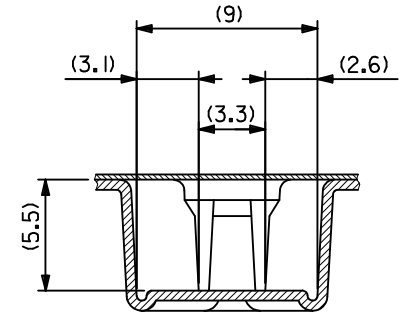
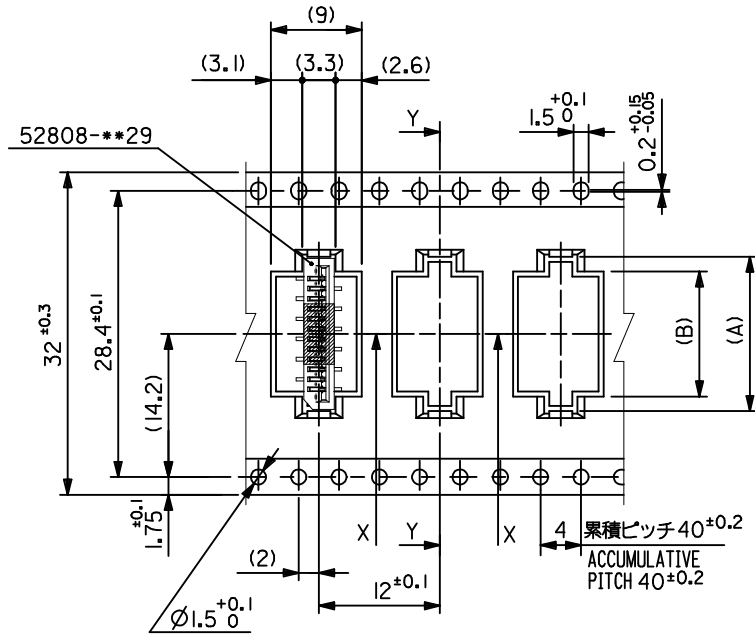
24mm幅キャリアテープ  
24mm WIDTH CARRIER TAPE

24	29.4	25.4	10.4	13.3	52808-1071	10
			9.4	12.3	52808-0971	9
			8.4	11.3	52808-0871	8
			7.4	10.3	52808-0771	7
			6.4	9.3	52808-0671	6
キャリアテープ幅 CARRIER TAPE WIDTH	D	C	(B)	(A)	MATERIAL NO.	種数 CKT.
MODEL NO.			52808-**-71			

SEE SHEET 1 OF 6 EC NO.: J2015-0830 DRWN:NASANUMA 2014/12/18 CHKD:KATAHASHI 2015/02/06 APPR:YNOGAWA 2015/02/23	GENERAL TOLERANCES (UNLESS SPECIFIED)			DIMENSION STYLE MM ONLY		SCALE ---	DESIGN UNITS METRIC	THIRD ANGLE PROJECTION	
	0.25 UNDER	UNDER	± 0.03	DRAWN BY	DATE	TITLE			
	0.25 OVER	0.5 UNDER	± 0.05	MNINOMIYA	2004/02/09	1.0 FFC CONN NON ZIF SMT ST WITH TAPE EMBSTP PKG -LEAD FREE-			
	0.5 OVER	1.0 UNDER	± 0.1	CHECKED BY	DATE	<b>molex</b>			
	1.0 OVER	10 UNDER	± ---	KTOJO	2004/02/09				
	10 OVER	30 UNDER	± ---	APPROVED BY	DATE	MATERIAL NO.	DOCUMENT NO.	SHEET NO.	
30 OVER		± ---			SEE CHART	SD-52808-026	3 OF 6		
ANGULAR	± --- °		THIS DRAWING CONTAINS INFORMATION THAT IS PROPRIETARY TO MOLEX INCORPORATED AND SHOULD NOT BE USED WITHOUT WRITTEN PERMISSION						
DRAFT WHERE APPLICABLE MUST REMAIN WITHIN DIMENSIONS									



セクト:Y-Y

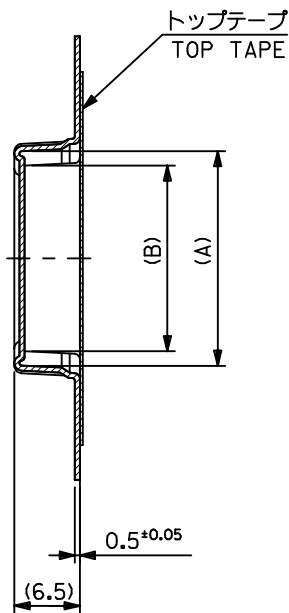


セクト:X-X

32mm幅キャリアテープ  
32mm WIDTH CARRIER TAPE

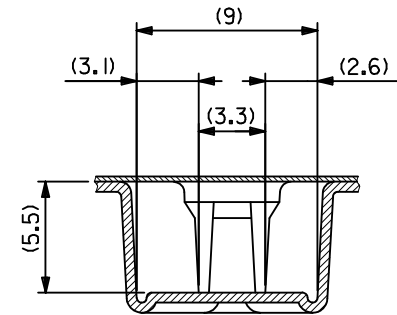
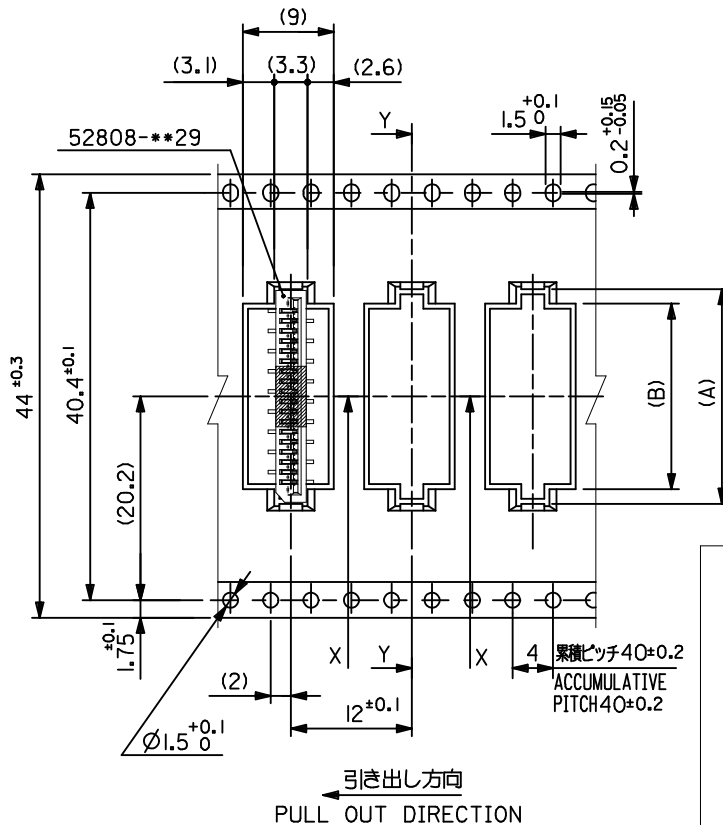
32	37.4	33.4	15.4	18.3	52808-1571	15
			14.4	17.3	52808-1471	14
			13.4	16.3	52808-1371	13
			12.4	15.3	52808-1271	12
			11.4	14.3	52808-1171	11
キャリアテープ幅 CARRIER TAPE WIDTH	D	C	(B)	(A)	MATERIAL NO.	種数 CKT.
MODEL NO.			52808-**-71			

SEE SHEET 1 OF 6 EC NO: J2015-0830 DRWN: SANUMA 2014/12/18 CHKD: TAKAHASHI 2015/02/06 APPR: YNOGAWA 2015/02/23	GENERAL TOLERANCES (UNLESS SPECIFIED)			DIMENSION STYLE MM ONLY		SCALE ---	DESIGN UNITS METRIC	THIRD ANGLE PROJECTION	
	0.25 UNDER	UNDER	±0.03	DRAWN BY	DATE	TITLE			
	0.25 OVER	0.5 UNDER	±0.05	MNINOMIYA	2004/02/09	1.0 FFC CONN NON ZIF SMT ST WITH TAPE EMBSTP PKG -LEAD FREE-			
	0.5 OVER	1.0 UNDER	±0.1	CHECKED BY	DATE	<b>molex</b>			
	1.0 OVER	10 UNDER	±---	KTOJO	2004/02/09				
10 OVER	30 UNDER	±---	APPROVED BY	DATE	MATERIAL NO.	DOCUMENT NO.	SHEET NO.		
30 OVER		±---			SEE CHART	SD-52808-026	4 OF 6		
ANGULAR	±---	°	THIS DRAWING CONTAINS INFORMATION THAT IS PROPRIETARY TO MOLEX INCORPORATED AND SHOULD NOT BE USED WITHOUT WRITTEN PERMISSION						
DRAFT WHERE APPLICABLE MUST REMAIN WITHIN DIMENSIONS									



SECT:Y-Y

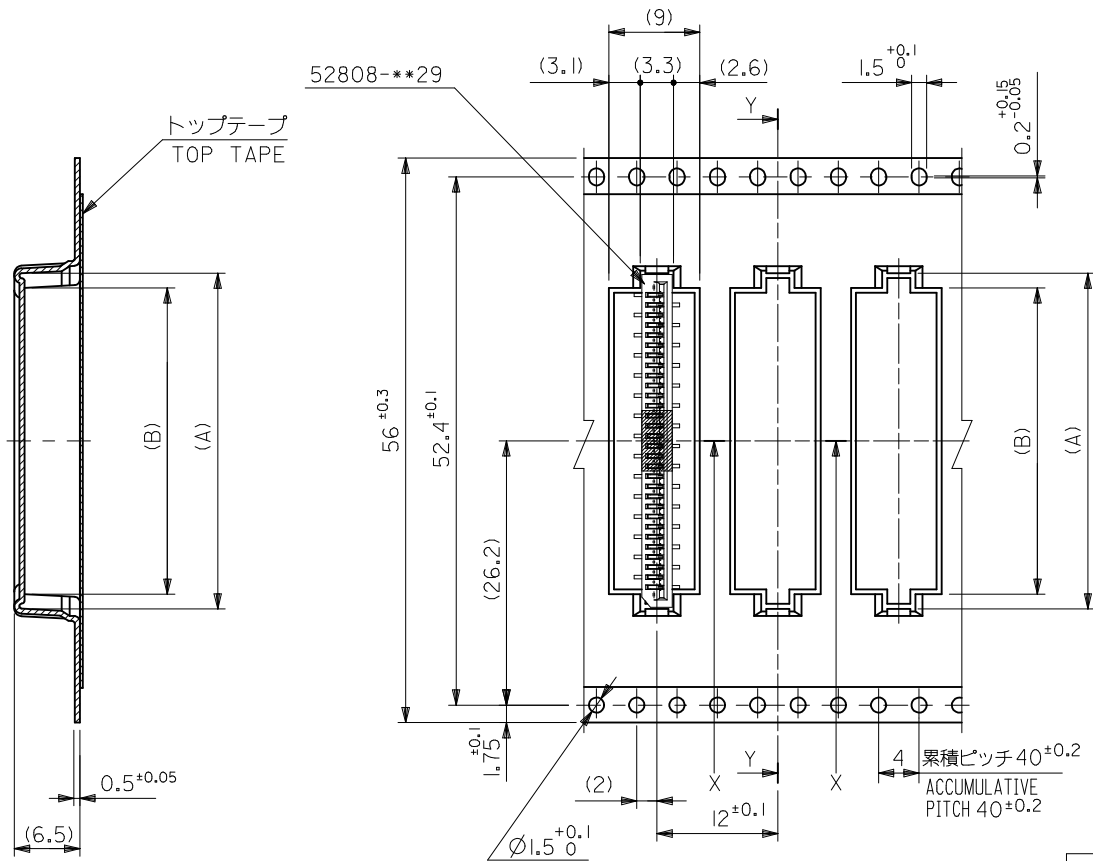
44mm幅キャリアテープ  
44mm WIDTH CARRIER TAPE



SECT:X-X

44	49.4	45.4	28.4	31.3	52808-2871	28	
			27.4	30.3	52808-2771	27	
			26.4	29.3	52808-2671	26	
			25.4	28.3	52808-2571	25	
			24.4	27.3	52808-2471	24	
			23.4	26.3	52808-2371	23	
			22.4	25.3	52808-2271	22	
			21.4	24.3	52808-2171	21	
			20.4	23.3	52808-2071	20	
			19.4	22.3	52808-1971	19	
			18.4	21.3	52808-1871	18	
			17.4	20.3	52808-1771	17	
16.4	19.3	52808-1671	16				
キャリアテープ幅 CARRIER TAPE WIDTH			D	C	(B) (A)	MATERIAL NO.	種数 CKT.
MODEL NO.			52808-***71				

SEE SHEET 1 OF 6 EC NO.: J2015-0830 DRW:NASANUMA 2014/12/18 CHKD:KAKAHASHI 2015/02/06 APPR:YNOGAWA 2015/02/23	GENERAL TOLERANCES (UNLESS SPECIFIED)			DIMENSION STYLE MM ONLY		SCALE ---	DESIGN UNITS METRIC	THIRD ANGLE PROJECTION	
	0.25 UNDER	UNDER	±0.03	DRAWN BY	DATE	TITLE			
	0.25 OVER	0.5 UNDER	±0.05	MNINOMIYA	2004/02/09	1.0 FFC CONN NON ZIF SMT ST WITH TAPE EMBSTP PKG -LEAD FREE-			
	0.5 OVER	1.0 UNDER	±0.1	CHECKED BY	DATE	molex			
	1.0 OVER	10 UNDER	±---	KTOJO	2004/02/09				
10 OVER	30 UNDER	±---	APPROVED BY	DATE	MATERIAL NO.	DOCUMENT NO.	SHEET NO.		
30 OVER		±---	SEE CHART		SD-52808-026		5 OF 6		
ANGULAR	±---	°	THIS DRAWING CONTAINS INFORMATION THAT IS PROPRIETARY TO MOLEX INCORPORATED AND SHOULD NOT BE USED WITHOUT WRITTEN PERMISSION						
DRAFT WHERE APPLICABLE MUST REMAIN WITHIN DIMENSIONS									



SECT:Y-Y

引き出し方向  
PULL OUT DIRECTION

56mm幅キャリアテープ  
56mm WIDTH CARRIER TAPE

56	61.4	57.4	30.4	33.3	52808-3071	30
キャリアテープ幅 CARRIER TAPE WIDTH			D	C	52808-2971	29
MODEL NO.					52808-**71	
DESIGN UNITS			THIRD ANGLE PROJECTION			

SEE SHEET 1 OF 6 EC NO.: J2015-0830 DRWN:NASUNUMA 2014/12/18 CHKD:KAKAHASHI 2015/02/06 APPR:YNOGAWA 2015/02/23	GENERAL TOLERANCES (UNLESS SPECIFIED)			DIMENSION STYLE		SCALE	DESIGN UNITS
	0.25 UNDER	UNDER	±0.03	MM ONLY		---	METRIC
	0.25 OVER	0.5 UNDER	±0.05	DRAWN BY		DATE	TITLE
	0.5 OVER	1.0 UNDER	±0.1	MNNOMIYA		2004/02/09	1.0 FFC CONN NON ZIF SMT ST WITH TAPE EMBSTP PKG -LEAD FREE-
	1.0 OVER	10 UNDER	±---	CHECKED BY		DATE	
10 OVER	30 UNDER	±---	KTOJO		2004/02/09	molex	
30 OVER		±---	APPROVED BY		DATE		
	ANGULAR	±---	MATERIAL NO.		DOCUMENT NO.	SHEET NO.	
	DRAFT WHERE APPLICABLE MUST REMAIN WITHIN DIMENSIONS		SEE CHART		SD-52808-026	6 OF 6	

SIZE	THIS DRAWING CONTAINS INFORMATION THAT IS PROPRIETARY TO MOLEX INCORPORATED AND SHOULD NOT BE USED WITHOUT WRITTEN PERMISSION	
A3		