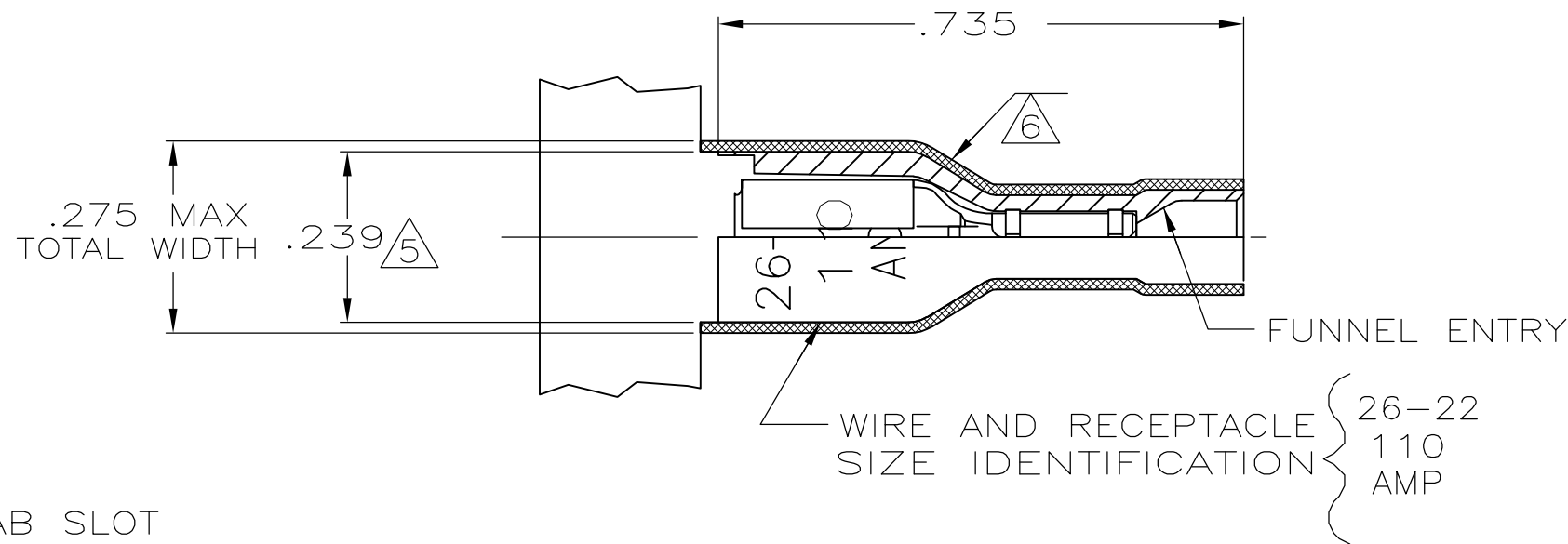
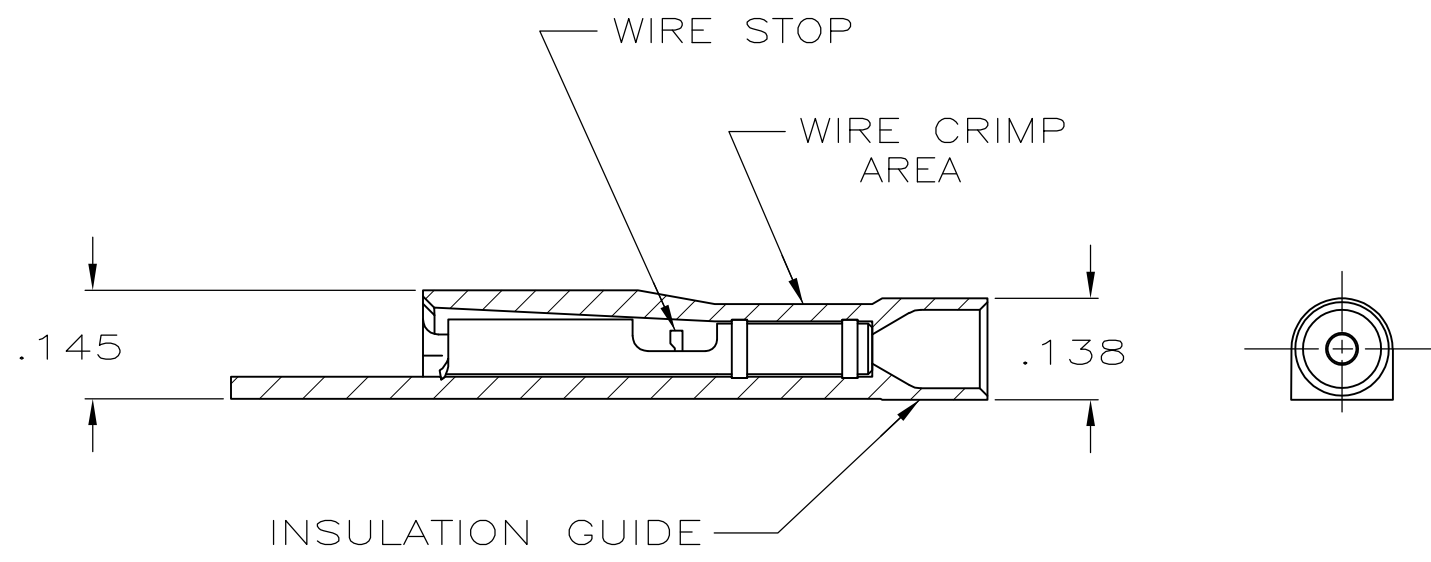
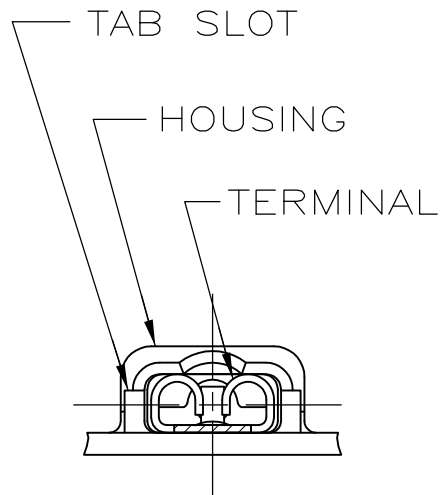


THIS DRAWING IS UNPUBLISHED. RELEASED FOR PUBLICATION
 © COPYRIGHT - By - ALL RIGHTS RESERVED.

| LOC | DIST | REVISIONS | | | |
|-----|------|-------------|---------------------------|---------|-------|
| P | LTR | DESCRIPTION | DATE | DWN | APVD |
| AF | 50 | L | REVISED PER ECR-12-005303 | 23JUL12 | KH KR |



- 1 MATES WITH .020±.001x.110 OR .125 TABS.
- 2 WIRE STRIP LENGTH .281
- 3 INSULATION SIZE .100 MAX DIA
- 4 CONTINUOUS STRIP ON REELS
- 5 DIMENSION DOES NOT INCLUDE TRIM BURR
- 6 .015 MAX CARRIER TRIM BURR PER SIDE IS ALLOWABLE IN THE SHADED AREA



| | |
|-----------------------------------|------------|
| HOUSING: NYLON, COLOR-VIOLET TINT | 7-520365-2 |
| RECEPTACLE: #3 HARD BRASS, TIN | |
| MATERIAL & FINISH | PART NO |

| | | | | | |
|--|--|--------------------------------|---|--------------|--|
| THIS DRAWING IS A CONTROLLED DOCUMENT. | | DWN P FORTNEY 11/14/88 | STE TE Connectivity | | |
| DIMENSIONS: INCHES | | CHK MS FEHER 11/15/88 | | | |
| TOLERANCES UNLESS OTHERWISE SPECIFIED: | | APVD K RANDOLPH 11/15/88 | NAME | | |
| 0 PLC ± - | | PRODUCT SPEC | RECEPTACLE ASSY, ULTRA-FAST, .110/.125 SERIES, 26-22 AWG | | |
| 1 PLC ± - | | 108-2043 | SIZE | | |
| 2 PLC ± - | | APPLICATION SPEC | CAGE CODE | | |
| 3 PLC ± .015 | | 114-2123 | DRAWING NO | | |
| 4 PLC ± - | | WEIGHT | RESTRICTED TO | | |
| ANGLES ± - | | - | A3 00779 C-520365 | | |
| MATERIAL SEE TABLE | | FINISH SEE TABLE | | SCALE 4:1 | |
| CUSTOMER DRAWING | | | | SHEET 1 OF 1 | |
| | | | | REV L | |