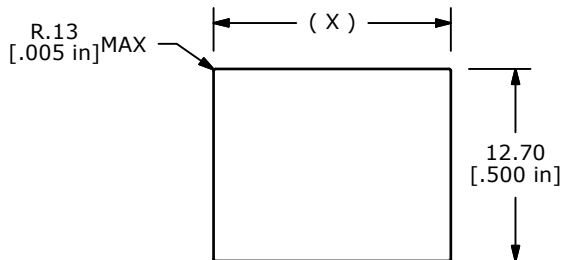
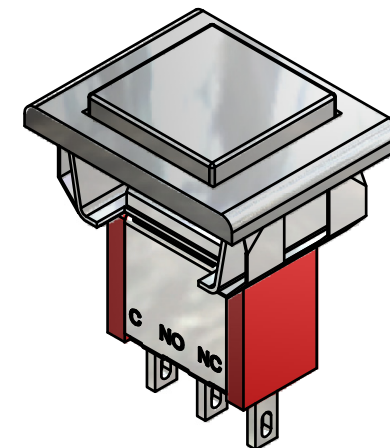
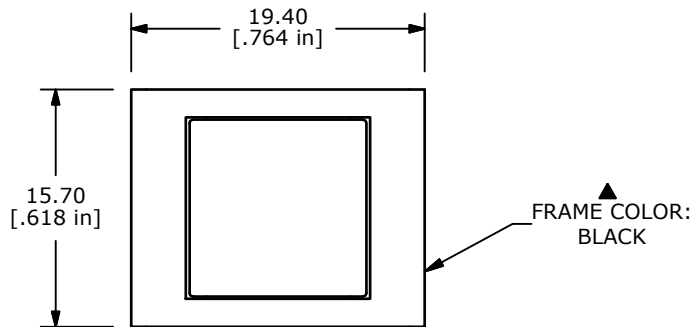
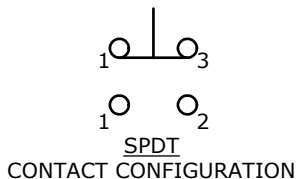


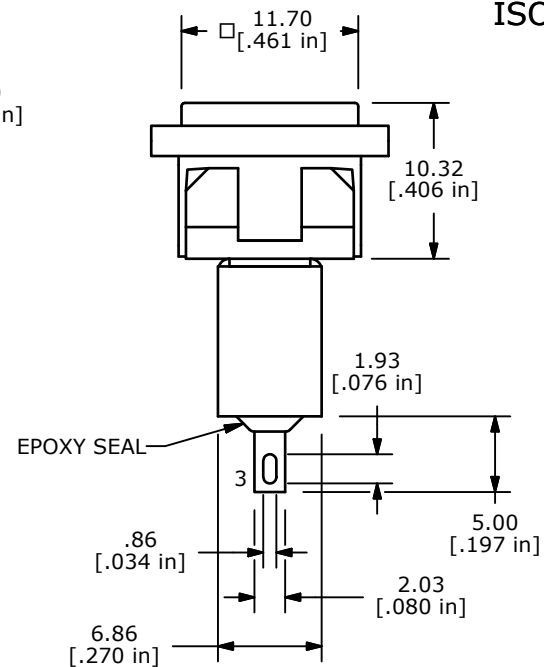
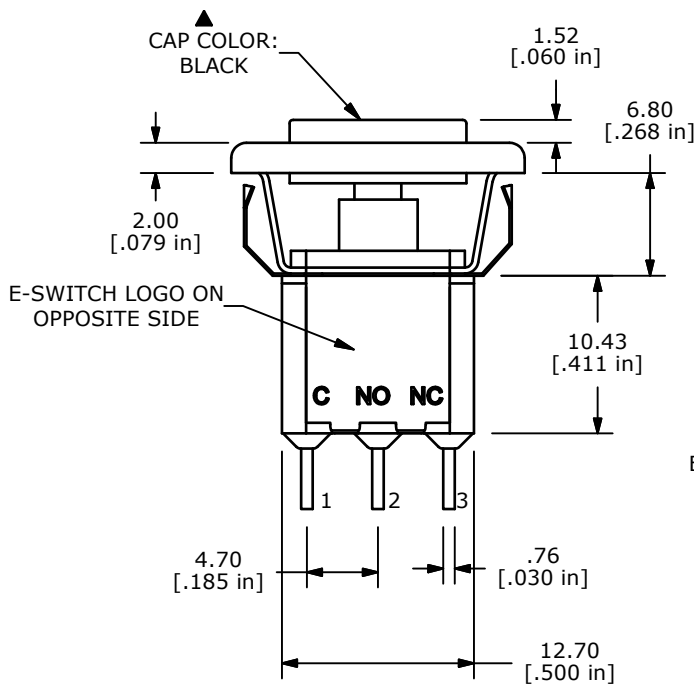
| SWITCH FUNCTION | |
|-----------------|--------|
| POS. 1 | POS. 2 |
| | |
| ON | (ON) |
| 1-3 | 1-2 |

(ON)=MOMENTARY



PANEL MOUNTING
1.19 TP 3.18 PANEL THICKNESS

| PANEL THICKNESS | (X) DIM. |
|-----------------|---------------|
| 1.19 - 2.30 | 15.70 |
| 2.31 - 3.18 | 15.75 - 15.88 |



NOTE:

1. ALL DIMENSIONS IN MM [INCH]
2. GENERAL TOLERANCE: X.X=±0.4
X.XX=±0.25
3. TERMINAL NUMBERS FOR REF ONLY
- ▲ 4. PLATING MATERIAL: GOLD
5. RATING: 0.4VA MAX. @ 20VDC OR AC
6. ELECTRIC LIFE: 50,000 MAKE-AND-BREAK CYCLES AT FULL LOAD
7. INSULATION RESISTANCE: 1,000 MEGA-OHM MIN.
8. ACUATION FORCE: 300 ± 100gf
- ▲ 9. TRAVEL: 1.0 ± 0.2mm
10. CONTACT RESISTANCE: 20 mOHM MAX. TYPICAL @ 2-4 VDC
11. DIELECTRIC STRENGTH: 1,000 V RMS @ SEA LEVEL.
12. OPERATING TEMP.: -30°C to 85°C
13. ▲ DENOTES CRITICAL PARAMETER.
14. 2002/95/EC (ROHS) COMPLIANT.



| | | | | |
|-----|--------|---------------------------|---------|-----|
| F | 20057 | DRAWING UPDATE / CLEAN-UP | 7/27/11 | BGL |
| REV | PCR NO | DESCRIPTION | DATE | BY |

TITLE 700SP7M1REAP2BLKBLK

THE INFORMATION CONTAINED IN THIS DOCUMENT IS PROPRIETARY TO E-SWITCH AND IS NOT TO BE COPIED OR TRANSFERRED

| | | | | |
|-------|-----------|-----|---------|-----|
| SCALE | DATE | DR | DWG | REV |
| 2:1 | 7/27/2011 | BGL | T711002 | F |