

# LTM8046

## 3.1V<sub>IN</sub> to 32V<sub>IN</sub>, 2kV Isolated DC/DC $\mu$ Module Converter

### DESCRIPTION

The demo circuit 1559A features the [LTM8046](#), a 2kVAC, 2.5W isolated flyback  $\mu$ Module<sup>®</sup> converter. The demo circuit is designed for a 5V output from a 3.2V to 26V input. The typical current capability of the 5V output varies with input voltage from about 150mA at V<sub>IN</sub> = 4V to about 550mA at V<sub>IN</sub> = 26V. R2 provides the necessary minimum load current to keep the V<sub>OUT</sub> in regulation throughout the entire input voltage range. Please see the Typical Performance Characteristics curves in the LTM8046 data sheet to determine the minimum load current for other input/output configurations.

The LTM8046 data sheet gives complete description of the device, operation and application information. The data sheet must be read in conjunction with this demo manual prior to working on or modifying demo circuit 1559A.

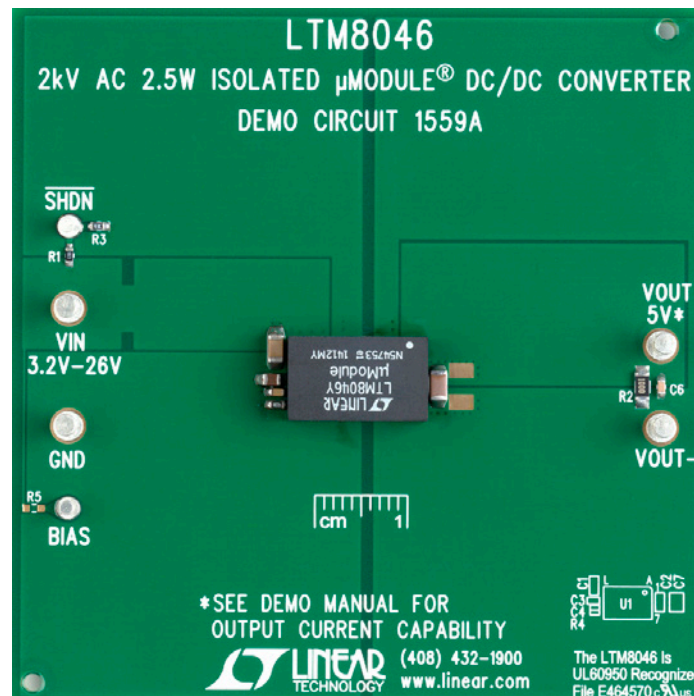
**Design files for this circuit board are available at <http://www.linear.com/demo>**

LT, LT, LTC, LTM, Linear Technology, the Linear logo and  $\mu$ Module are registered trademarks of Linear Technology Corporation. All other trademarks are the property of their respective owners.

### PERFORMANCE SUMMARY

Specifications are at T<sub>A</sub> = 25°C

SYMBOL	PARAMETER	CONDITIONS	MIN	TYP	MAX	UNITS
V <sub>IN</sub>	Input Supply Range		3.2		26	V
V <sub>OUT</sub>	Output Voltage		4.75	5	5.25	V
V <sub>OUT(AC)</sub>	Output Ripple	V <sub>IN</sub> = 12V, I <sub>OUT</sub> = 300mA			50	mV



dc1559af

## QUICK START PROCEDURE

Demo circuit 1559A is an easy way to evaluate the performance of the LTM8046. Refer to Figure 3 for proper measurement equipment setup and follow the procedure below:

Note: When measuring the input or output voltage ripple, care must be taken to avoid a long ground lead on the oscilloscope probe. Measure the input or output voltage ripple by touching the probe tip directly across the VIN or VOUT and GND terminals. See Figure 4 for proper scope probe technique.

1. With power off, connect the input power supply to VIN and GND.
2. Turn on the power at the input.

Note: Make sure that the input voltage does not exceed 26V.

3. Check for the proper output voltage between VOUT and VOUT-.

Note: If there is no output, temporarily disconnect the load to make sure that the load is not set too high.

4. Once the proper output voltage is established, adjust the load within the operating range and observe the output voltage regulation, ripple voltage, efficiency and other parameters.

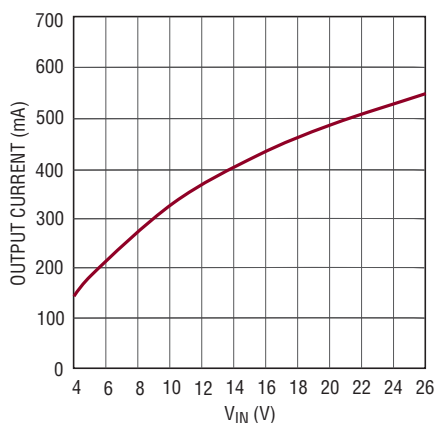


Figure 1. V<sub>OUT</sub> Maximum Output Current vs V<sub>IN</sub>

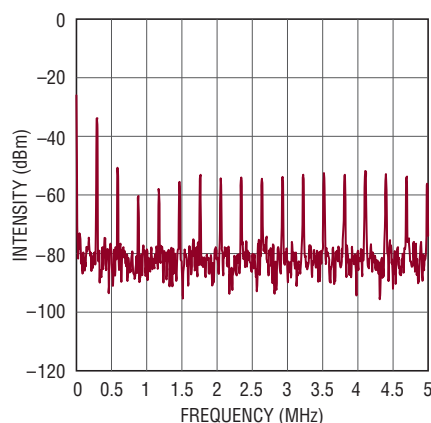


Figure 2. V<sub>OUT</sub> Output Noise Spectrum with I<sub>OUT</sub> at 300mA and V<sub>IN</sub> at 12V

**QUICK START PROCEDURE**

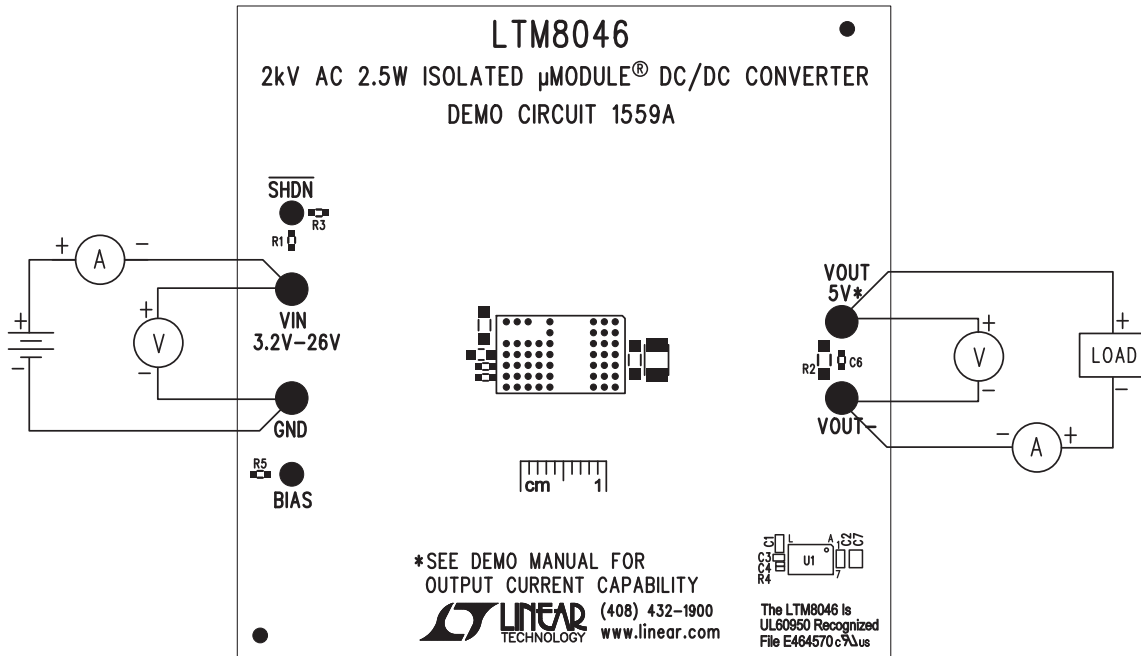


Figure 3. DC1559A Proper Equipment Setup

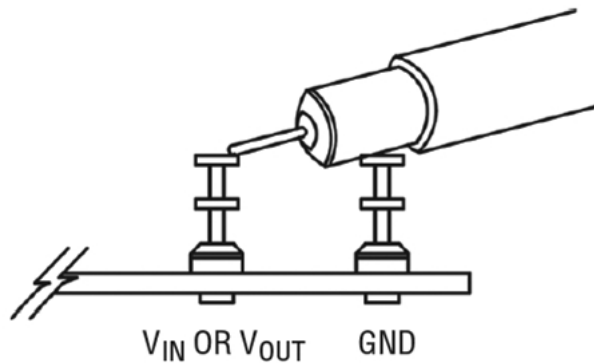


Figure 4. Measuring Input or Output Ripple

# DEMO MANUAL DC1559 A

## PARTS LIST

ITEM	QTY	REFERENCE	PART DESCRIPTION	MANUFACTURER/PART NUMBER
<b>Required Circuit Components</b>				
1	1	C1	CAP., CHIP, X7R, 4.7 $\mu$ F, 50V, 10%, 1206	Taiyo Yuden, UMK316BJ475KLT
2	1	C2	CAP., CHIP, X5R, 100 $\mu$ F, 10V, 20%, 1206	TDK, C3216X5R1A107M160AC
3	1	C3	CAP., CHIP, X7R, 4.7 $\mu$ F, 25V, 10%, 0805	TDK, C2012X7R1E475K125AB
4	1	C4	CAP., CHIP, X7R, 0.1 $\mu$ F, 25V, 10%, 0603	AVX, 06033C104KAT2A
5	1	C6	CAP., CHIP, X7R, 1 $\mu$ F, 10V, 10%, 0603	AVX, 0603ZC105KAT2A
6	1	R1	RES., CHIP, 102k, 1%, 1/10W 0603	YAGEO, RC0603FR-07102KL
7	1	R2	RES., CHIP, 100 $\Omega$ , 1/4W, 1%, 1206	YAGEO, RC1206FR-07100RL
8	1	R3	RES., CHIP, 90.9k, 1%, 1/10W, 1% 0603	YAGEO, RC0603FR-0790K9L
9	1	R4	RES., CHIP, 8.45k, 1%, 1/10W 0603	VISHAY, CRCW06038K45FKEA
10	1	U1	IC., LINEAR LTM8046EY#PBF	LINEAR TECH., LTM8046EY#PBF
<b>Additional Demo Board Circuit Components</b>				
1	1	CIN1	CAP., TANT, 10 $\mu$ F, 35V, CASE-C	AVX, TAJC106K035R
2	0	C5	OPT. 1206	
3	0	C7	OPT. 1210	
4	0	L1	OPT.	
<b>Hardware-For Demo Board Only</b>				
1	4	E1-E4	TESTPOINT, TURRET, 0.094"	MILL-MAX 2501-2-00-80-00-00-07-0
2	2	E5, E6	TESTPOINT, TURRET, 0.064"	MILL-MAX 2308-2-00-80-00-00-07-0



# DEMO MANUAL DC1559 A

---

## DEMONSTRATION BOARD IMPORTANT NOTICE

Linear Technology Corporation (LTC) provides the enclosed product(s) under the following **AS IS** conditions:

This demonstration board (DEMO BOARD) kit being sold or provided by Linear Technology is intended for use for **ENGINEERING DEVELOPMENT OR EVALUATION PURPOSES ONLY** and is not provided by LTC for commercial use. As such, the DEMO BOARD herein may not be complete in terms of required design-, marketing-, and/or manufacturing-related protective considerations, including but not limited to product safety measures typically found in finished commercial goods. As a prototype, this product does not fall within the scope of the European Union directive on electromagnetic compatibility and therefore may or may not meet the technical requirements of the directive, or other regulations.

If this evaluation kit does not meet the specifications recited in the DEMO BOARD manual the kit may be returned within 30 days from the date of delivery for a full refund. **THE FOREGOING WARRANTY IS THE EXCLUSIVE WARRANTY MADE BY THE SELLER TO BUYER AND IS IN LIEU OF ALL OTHER WARRANTIES, EXPRESSED, IMPLIED, OR STATUTORY, INCLUDING ANY WARRANTY OF MERCHANTABILITY OR FITNESS FOR ANY PARTICULAR PURPOSE. EXCEPT TO THE EXTENT OF THIS INDEMNITY, NEITHER PARTY SHALL BE LIABLE TO THE OTHER FOR ANY INDIRECT, SPECIAL, INCIDENTAL, OR CONSEQUENTIAL DAMAGES.**

The user assumes all responsibility and liability for proper and safe handling of the goods. Further, the user releases LTC from all claims arising from the handling or use of the goods. Due to the open construction of the product, it is the user's responsibility to take any and all appropriate precautions with regard to electrostatic discharge. Also be aware that the products herein may not be regulatory compliant or agency certified (FCC, UL, CE, etc.).

No License is granted under any patent right or other intellectual property whatsoever. **LTC assumes no liability for applications assistance, customer product design, software performance, or infringement of patents or any other intellectual property rights of any kind.**

LTC currently services a variety of customers for products around the world, and therefore this transaction **is not exclusive**.

**Please read the DEMO BOARD manual prior to handling the product.** Persons handling this product must have electronics training and observe good laboratory practice standards. **Common sense is encouraged.**

This notice contains important safety information about temperatures and voltages. For further safety concerns, please contact a LTC application engineer.

Mailing Address:

Linear Technology  
1630 McCarthy Blvd.  
Milpitas, CA 95035

Copyright © 2004, Linear Technology Corporation