

4

3

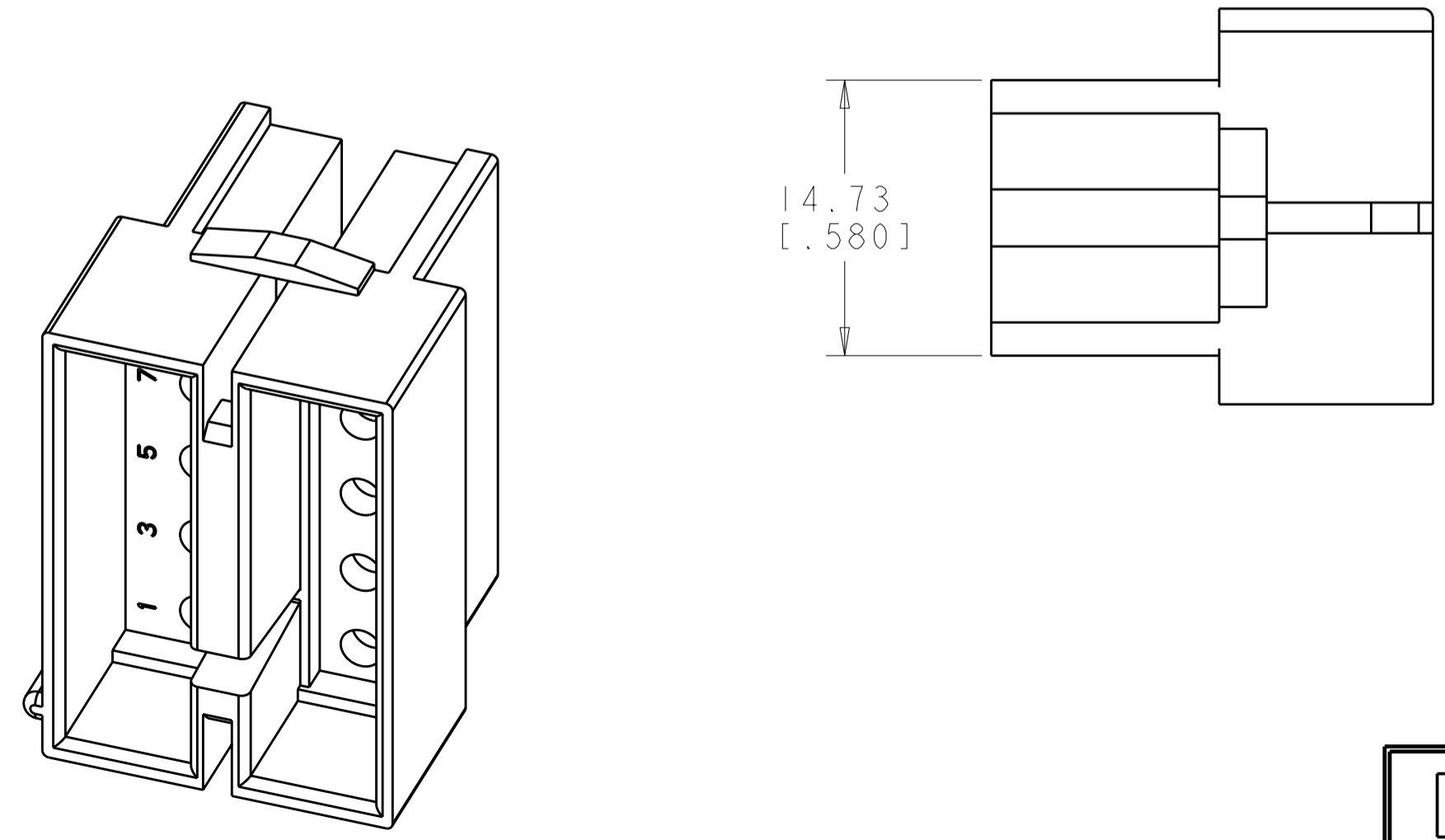
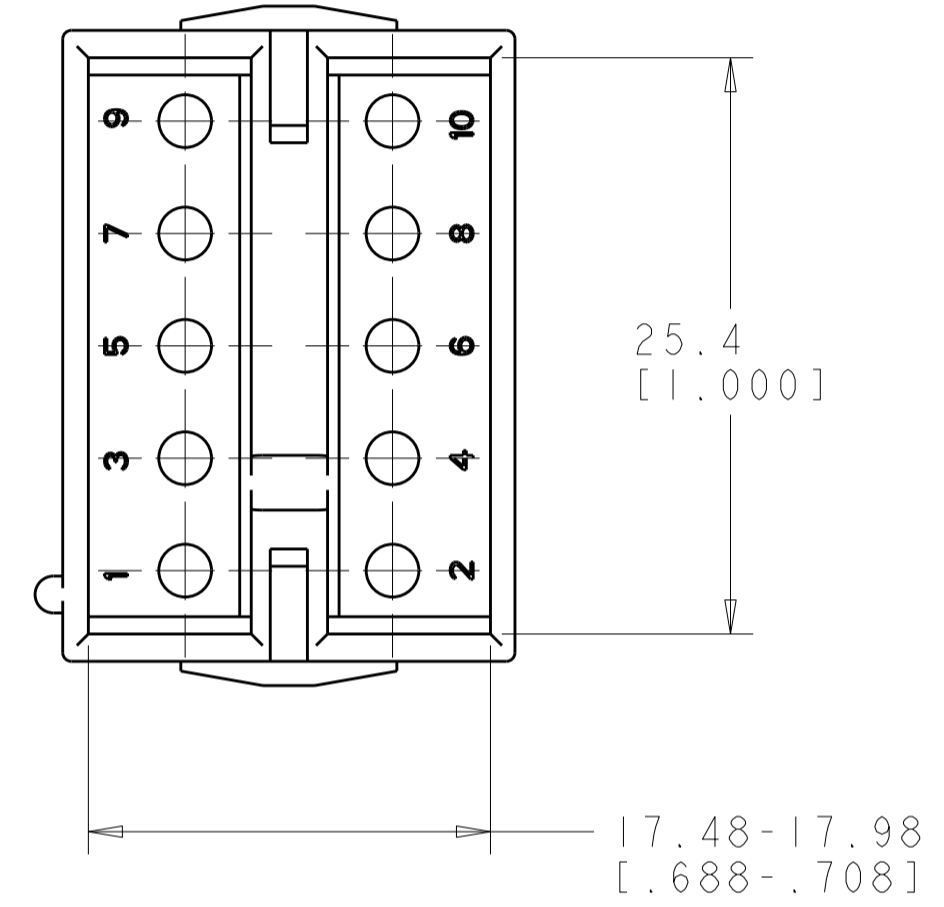
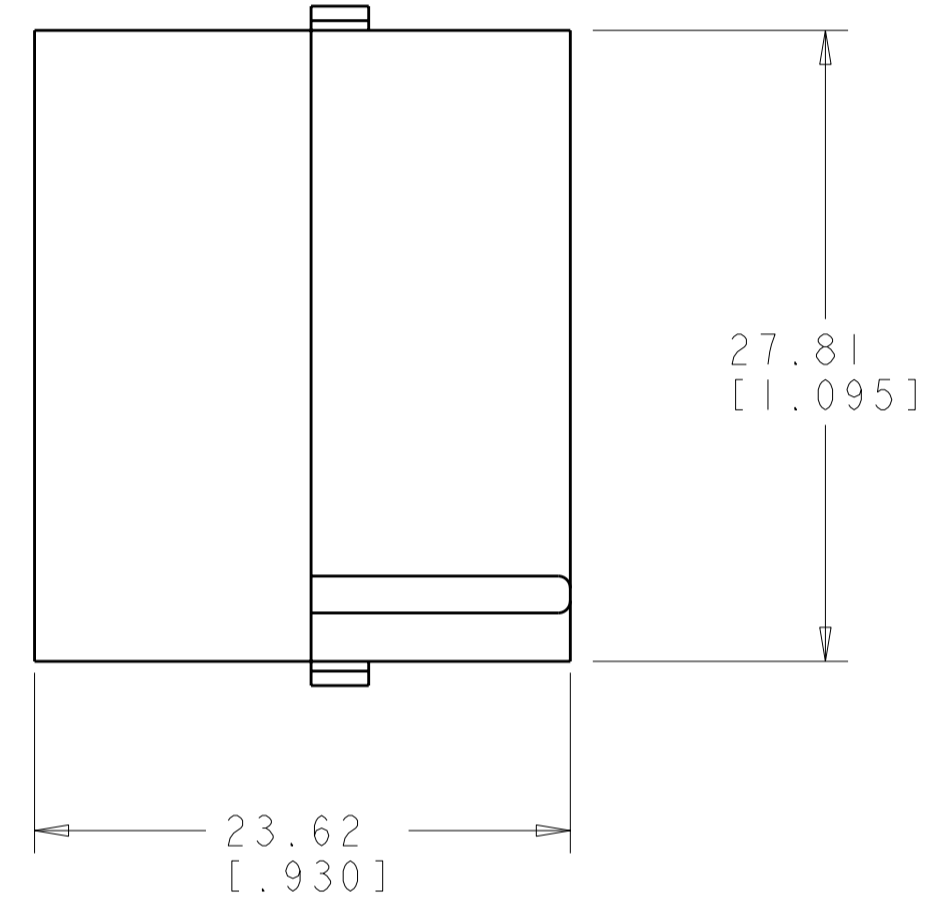
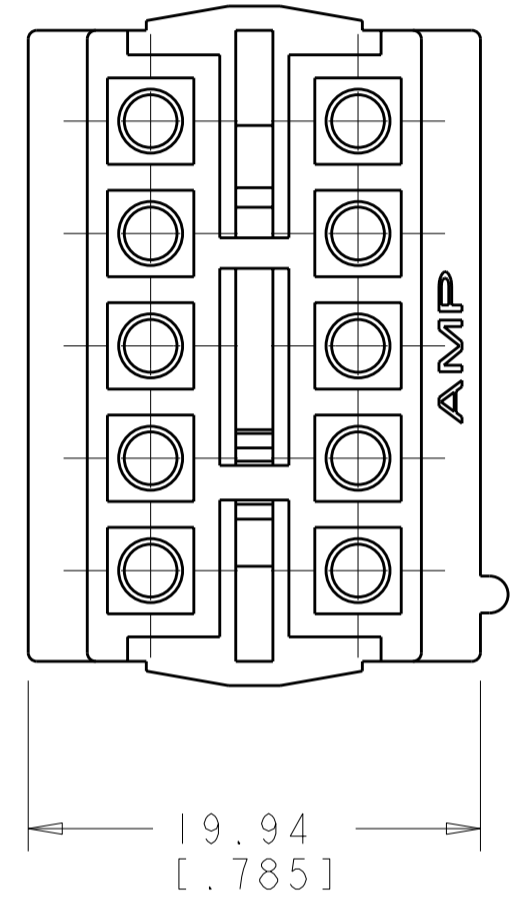
2

1

THIS DRAWING IS UNPUBLISHED. RELEASED FOR PUBLICATION 20
 © COPYRIGHT 20 BY TYCO ELECTRONICS CORPORATION. ALL RIGHTS RESERVED.

LOC	DIST	REVISIONS					
CM	00	P	LTR	DESCRIPTION	DATE	DWN	APVD
			HI	REVISED PER ECO-09-025197	11NOV2009	HMR	MS

1. PART MATES WITH PLUG NO. 480285.
2. TO BE USED WITH APPROPRIATE COMMERCIAL MATE-N-LOK™ PINS.
3. MATERIAL: NYLON UL94V-2, NATURAL.



0.297 IN ³	1-480339-0
VOLUME	PART NUMBER



THIS DRAWING IS A CONTROLLED DOCUMENT FOR TYCO ELECTRONICS CORPORATION. IT IS SUBJECT TO CHANGE AND THE CONTROLLING ENGINEERING ORGANIZATION SHOULD BE CONTACTED FOR THE LATEST REVISION.		DWN K. WHITAKER 07MAR2008	Tyco Electronics Harrisburg, PA 17105-3608	
DIMENSIONS: mm [INCHES]		CHK C. CASH 07MAR2008	NAME CAP, 10 CIRCUIT, COMMERCIAL MATE-N-LOK(TM)	
TOLERANCES UNLESS OTHERWISE SPECIFIED:		APVD C. CASH 07MAR2008	SIZE A200779	
0 PLC ±-	1 PLC ±-	PRODUCT SPEC	DRAWING NO C-480339	
2 PLC ±0.13 [0.005]	3 PLC ±-	APPLICATION SPEC	RESTRICTED TO	
4 PLC ±-	ANGLES ±0°30'	WEIGHT	-	
MATERIAL	FINISH	CUSTOMER DRAWING	SCALE 3:1 SHEET 1 OF 1 REV. HI	