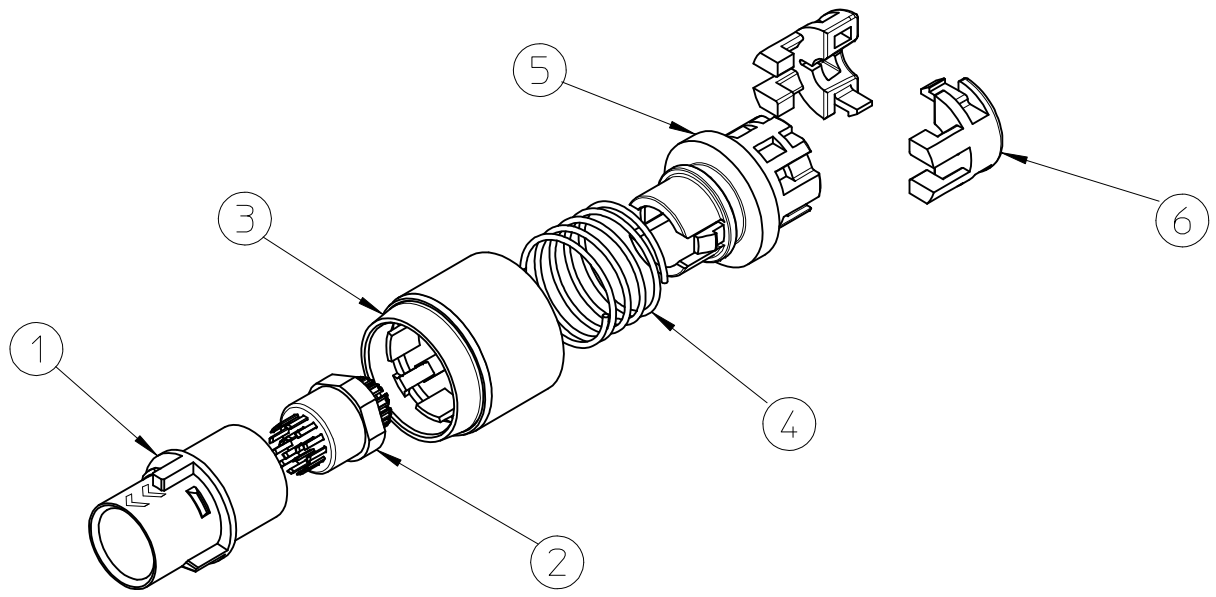


ITEM NUMBER	P/N	DESCRIPTION	QTY	SPQ
1	172355-1001	MPC D2 MALE HOUSING KEY A-A	1	10
2	172354-2000	MPC D2 MALE 17 CIRCUIT RETAINER ASSEMBLY	1	10
3	172358-2000	MPC D2 MALE LOCK SLEEVE ASSEMBLY	1	10
4	172352-1000	MPC D2 MALE LOCK SPRING	1	10
5	172356-1000	MPC D2 MALE LOCK HOUSING	1	10
6	172351-1000	MPC D2 MALE STRAIN RELIEF	2	20



- NOTES:
1. KIT TO BE PACKAGED PER SPEC PK-70873-3344.
 2. MATERIAL: MEDICAL GRADE PEI, COLOR, BLACK
 3. SEE APPLICATION SPECIFICATION AS-172350-0000 FOR ASSEMBLY DETAILS.
 4. MATES WITH KIT P/N 172350-1710.

CHGD QTY EC NO: UCP2016-0326 DRWN: JONIAK 2015/07/21 CHKD: APPR: RHODGE 2015/07/21 REV:	QUALITY SYMBOLS	GENERAL TOLERANCES (UNLESS SPECIFIED)		DIMENSION STYLE	SCALE	DESIGN UNITS	THIRD ANGLE PROJECTION
	▽=0	mm	INCH	MM ONLY	2:1	METRIC	
	▽=0	4 PLACES ± ---	± ---	DRAWN BY	DATE	TITLE	
	▽=0	3 PLACES ± ---	± ---	JJONIAK	2015/06/25	MPC D2 MALE ASSEMBLY KIT 17 CIRCUIT	
	2 PLACES ± 0.13	± ---	CHECKED BY	DATE	molex		
	1 PLACE ± 0.25	± ---	APPROVED BY	DATE	MATERIAL NO.	DOCUMENT NO.	SHEET NO.
	0 PLACE ± ---	± ---	RHODGE	2015/06/26	172360-1710	SD-172360-1710	1 OF 1
			ANGULAR ±1/2°		THIS DRAWING CONTAINS INFORMATION THAT IS PROPRIETARY TO MOLEX INCORPORATED AND SHOULD NOT BE USED WITHOUT WRITTEN PERMISSION		
	DRAFT WHERE APPLICABLE MUST REMAIN WITHIN DIMENSIONS						