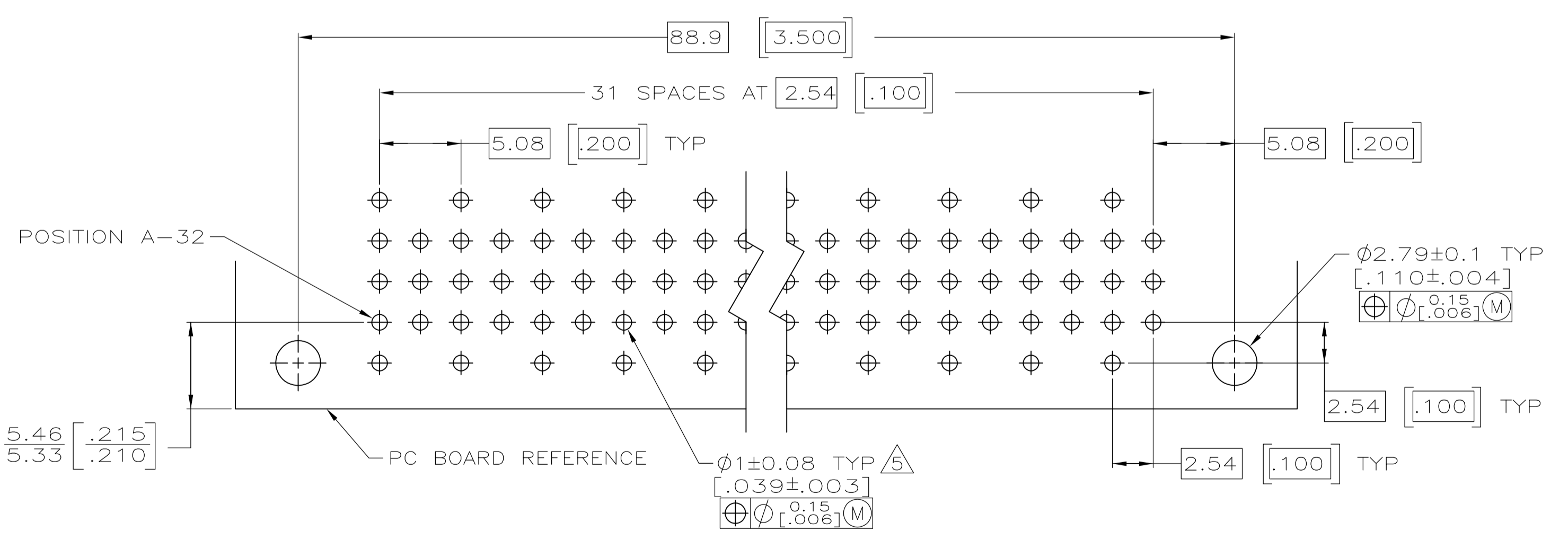
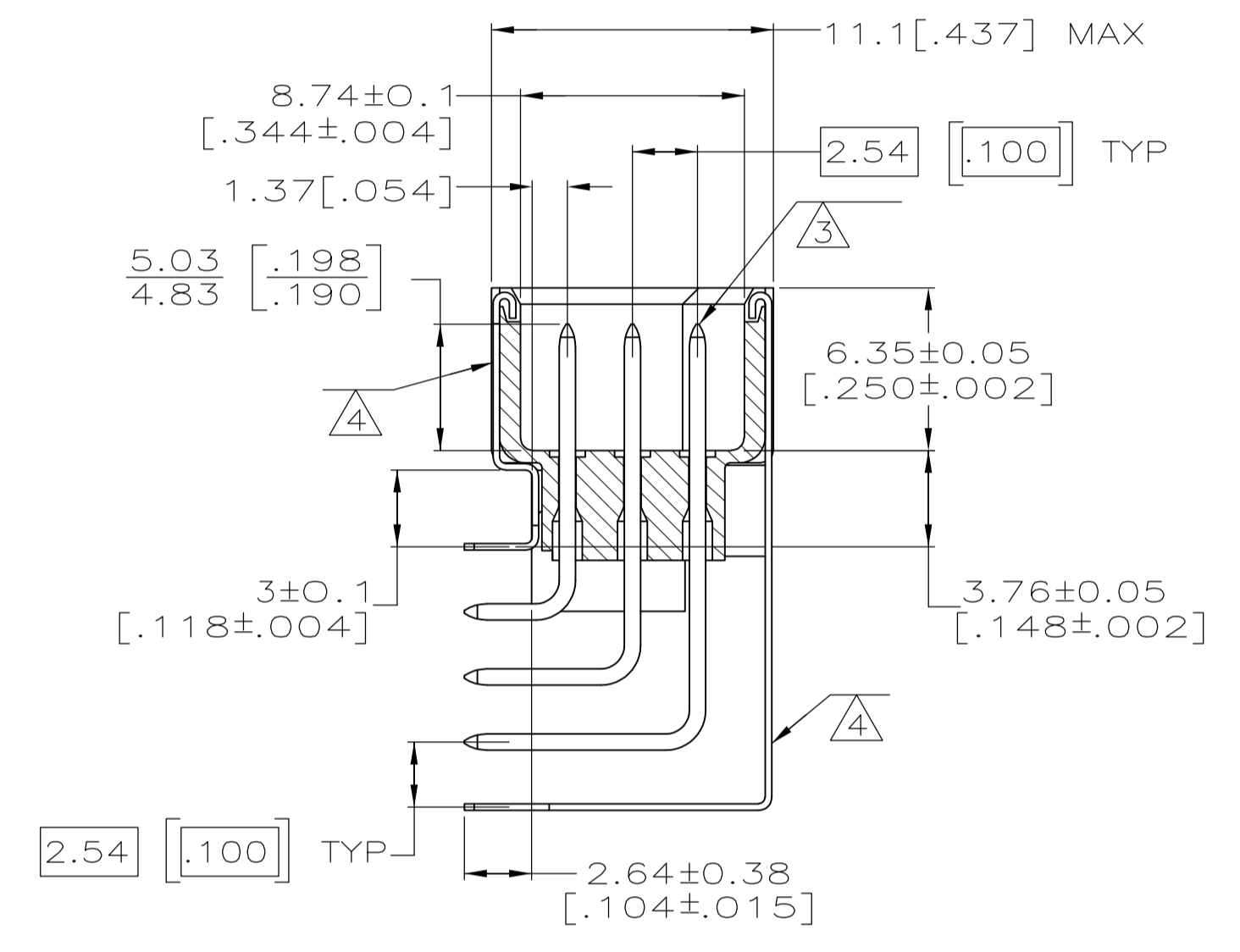
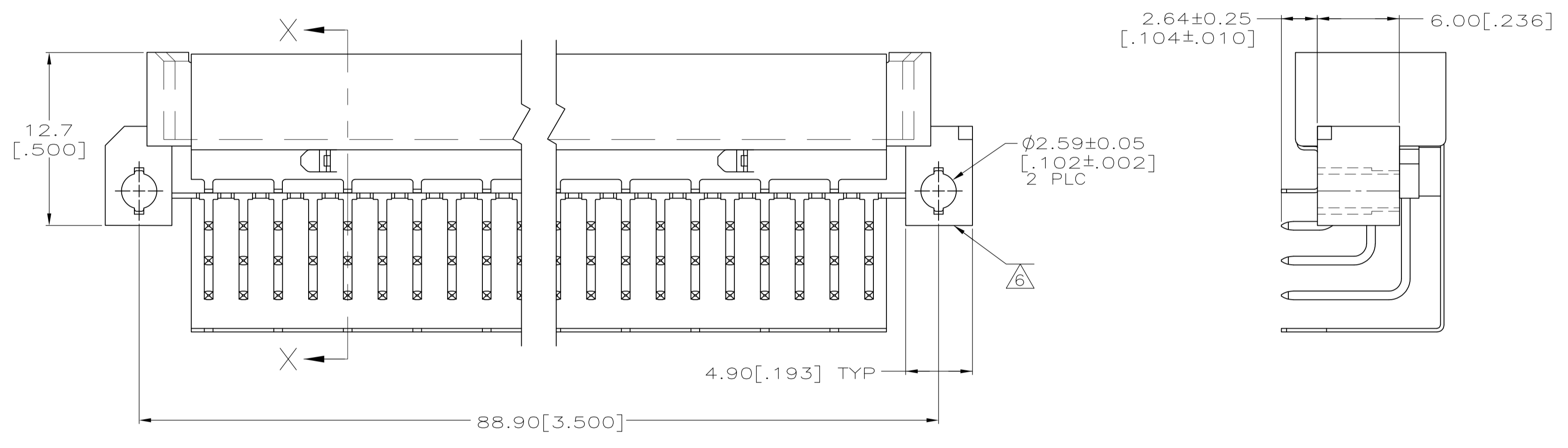
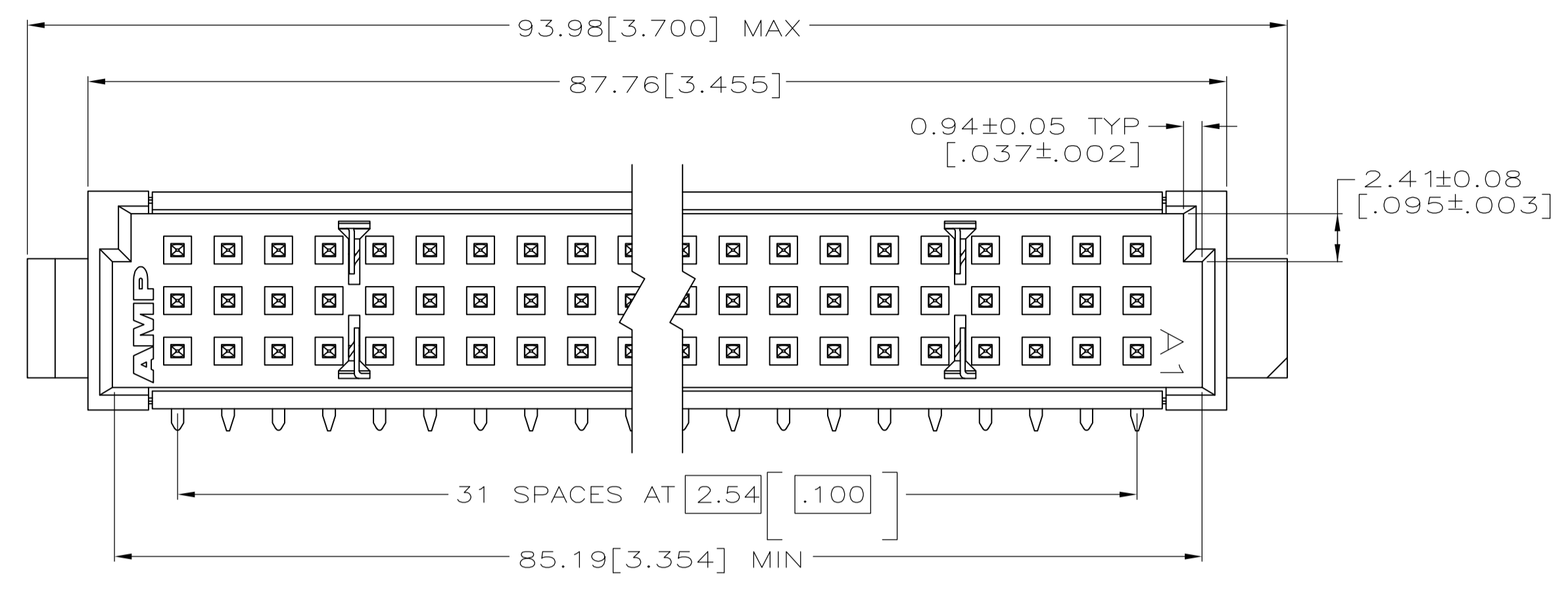


LOC		DIST		REVISIONS					
P	LTR	DESCRIPTION	DATE	DN	APVD				
AD	25			04		REVISED PER ECO-10-015314	04AUG10	DH	DB



PC BOARD LAYOUT

- 1 HOUSING MATERIAL: GLASS-FILLED POLYMER.
- 2 POST AND GROUND PLATE MATERIAL: COPPER ALLOY.
- 3 POST FINISH: DIN 41612 CLASS 2 IN CONTACT AREA. TIN PLATE ON POSTS.
- 4 GROUND PLATE FINISH: DIN 41612 CLASS 2 IN CONTACT AREA. TIN PLATE ON POSTS.
- 5 RECOMMENDED HOLE SIZE FOR MANUAL APPLICATION OF CONNECTOR ONTO PC BOARD.
- 6 MOLD REVISION DATE CODE MOLDED IN THIS AREA.

SECTION X-X

5650987-5
 ASSY PART NUMBER

THIS DRAWING IS A CONTROLLED DOCUMENT.		DIN J. POLIGNONE 19APROS	Tyco Electronics Corporation Harrisburg, PA 17105-3608	
DIMENSIONS: mm [INCHES]		CIK A. SHARPE 19APROS	NAME ASSEMBLY, PIN, ENHANCED, TYPE C, EUROCARD, 5 ROW, SOLDER, 2.64[.104]	
TOLERANCES UNLESS OTHERWISE SPECIFIED:		APVD A. SHARPE 19APROS	APPLICATION SPEC	
0 PLC ± -	1 PLC ± -	SIZE A1		
2 PLC ± -	3 PLC ± 0.13(.005)	CAGE CODE 00779		
4 PLC ± -	ANGLES ± -	DRAWING NO. 5650987		
MATERIAL		WEIGHT		
FINISH		CUSTOMER DRAWING		
SCALE 4:1		SHEET 1 OF 1		
REV 04				