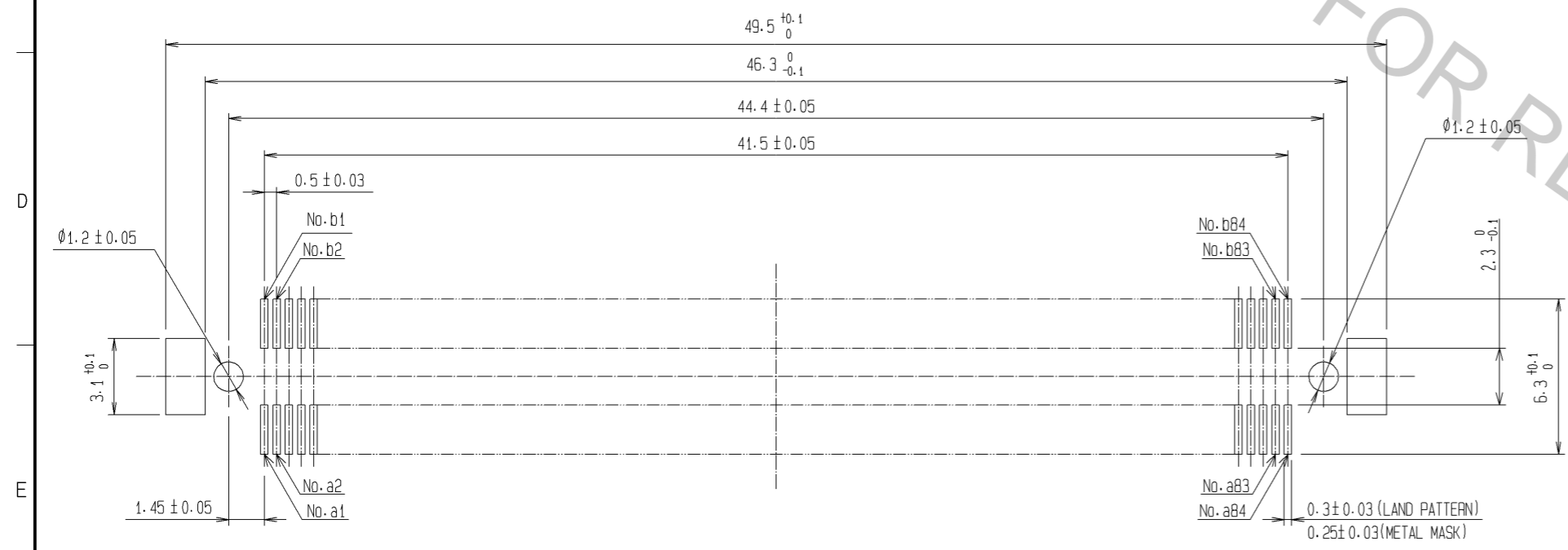


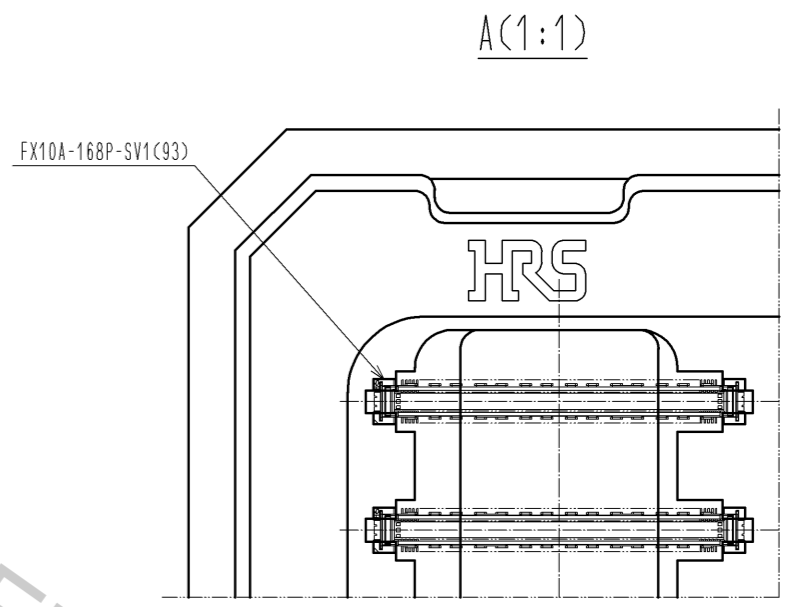
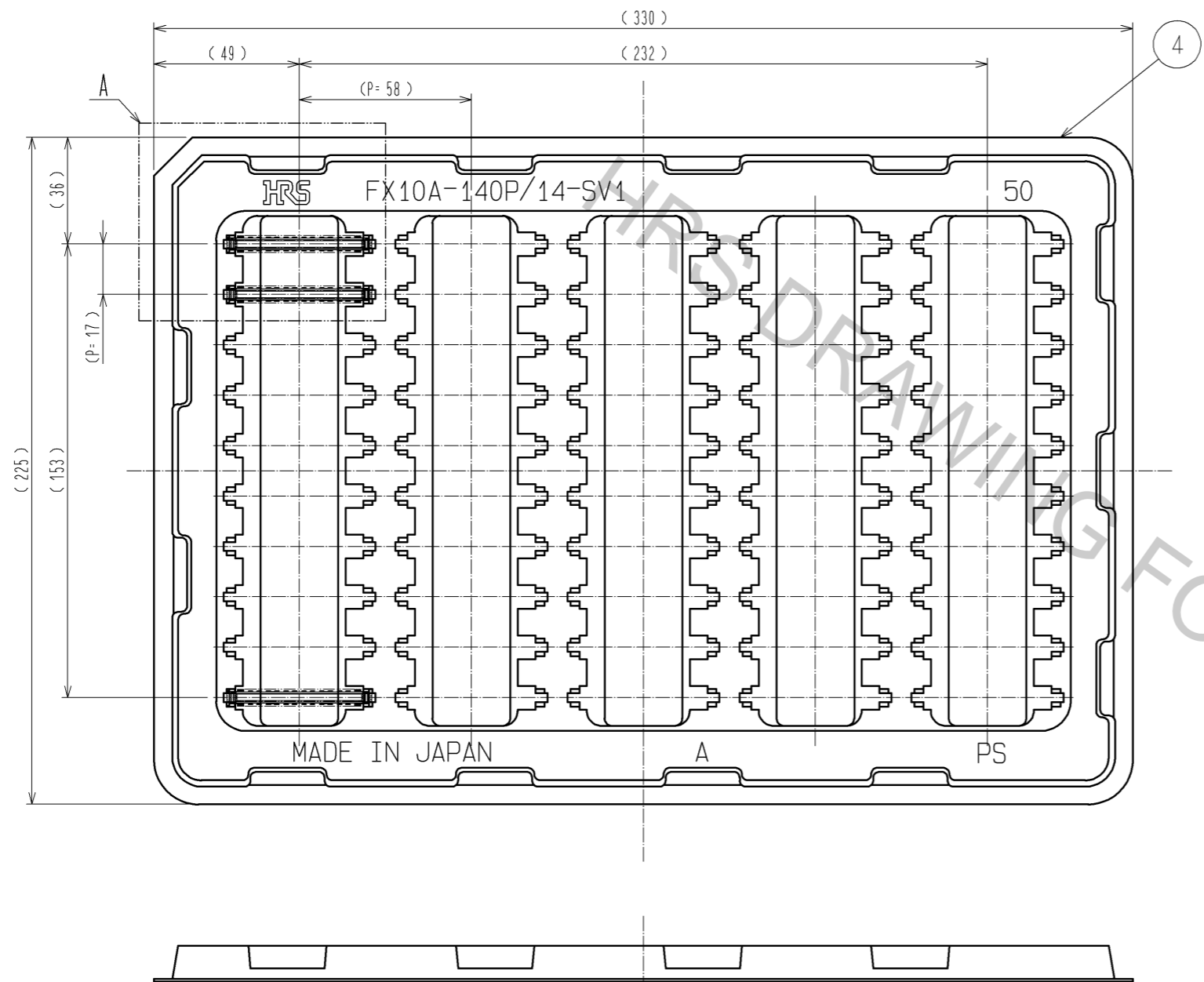
RECOMMENDED LAND PATTERN DIMENSION OF PCB
(RECOMMENDED METAL MASK THICKNESS:0.15mm)



- NOTES
- 1 SMT LEAD-COPLANARITY:0.1 MAX.
 - 2 THIS PRODUCT HAS NO POLARITY TO PATTERN FOR MOUNTING.
 - 3 THE DIMENSIONS IN PARENTHESES ARE FOR REFERENCE.
 - 4 STACKING HEIGHT FROM LEAD TO LEAD(REFERENCE DIMENSIONS)
 - 5 BOARD DISTANCE
 - 6 AREA IS VACUUM PICKUP AREA FOR REFERENCE.

2	PHOSPHOR BRONZE	CONTACT AREA:GOLD 0.76µm min.	4	PS	3	PHOSPHOR BRONZE	SURFACE AREA:GOLD 0.03µm min. UNDER PLATING:NICKEL 1.3µm min.	
		LEAD AREA:GOLD 0.03µm min.						
		UNDER PLATING:NICKEL 1.3µm min.						
1	LCP	BEIGE UL94V-0						
NO.	MATERIAL	FINISH . REMARKS	NO.	MATERIAL	FINISH . REMARKS			
UNITS		SCALE	COUNT	DESCRIPTION OF REVISIONS		DESIGNED	CHECKED	DATE
mm		4 : 1						
HRS HIROSE ELECTRIC CO., LTD.		APPROVED : HS. OKAWA	12.11.16	DRAWING NO.		EDC3-151971-02		
		CHECKED : HT. YAMAGUCHI	12.11.16	PART NO.		FX10A-168P-SV1(93)		
		DESIGNED : YJ. ASAO	12.11.15	CODE NO.		CL570-0144-2-93		
		DRAWN : YJ. ASAO	12.11.15			1/2		

DRAWING FOR PACKING(2:1)



- NOTES
- 1 1TRAY:50 CONNECTORS.
 - 2 THIS PRODUCT HAS NO POLARITY TO TRAY PACKAGING.
 - 3 THE DIMENSIONS IN PARENTHESES ARE FOR REFERENCE.

HRS	DRAWING NO.	EDC3-151971-02
	PART NO.	FX10A-168P-SV1(93)
	CODE NO.	CL570-0144-2-93
		△ 2/2

Apr.1.2017 Copyright 2017 HIROSE ELECTRIC CO., LTD. All Rights Reserved.