

10 9 8 7 6 5 4 3 2 1

F

F

E

E

D

D

C

C

B

B

A

A



53261-****	WAFER ASSY	MODEL NO./MATERIAL NO.
50079-****	TERMINAL	
51021-****	HOUSING	

RELEASED EC NO: J2006-2426 DRWN: A0YAGI 2006/02/02 CHKD: YMAEDA 2006/02/03 APPR: NUKITA 2006/02/07	GENERAL TOLERANCES (UNLESS SPECIFIED)		DIMENSION STYLE MM ONLY		SCALE ---	DESIGN UNITS METRIC	THIRD ANGLE PROJECTION	
	10 UNDER	± ---	DRAWN BY Y. A0YAGI	DATE 2006/01/30	TITLE 1.25 W-TO-B CONN. 51021,53261 MATING CROSS SECTION			
	10 OVER 30 UNDER	± ---	CHECKED BY Y. MAEDA	DATE 2006/01/30	MOLEX INCORPORATED			
	30 OVER	± ---	APPROVED BY N. UKITA	DATE 2006/01/30	DOCUMENT NO. SD-51021-002			
	ANGULAR	± --- °	MATERIAL NO. SEE CHART		SHEET NO. 1 OF 1			
0	DRAFT WHERE APPLICABLE MUST REMAIN WITHIN DIMENSIONS		SIZE A3		THIS DRAWING CONTAINS INFORMATION THAT IS PROPRIETARY TO MOLEX INCORPORATED AND SHOULD NOT BE USED WITHOUT WRITTEN PERMISSION			

9

8

7

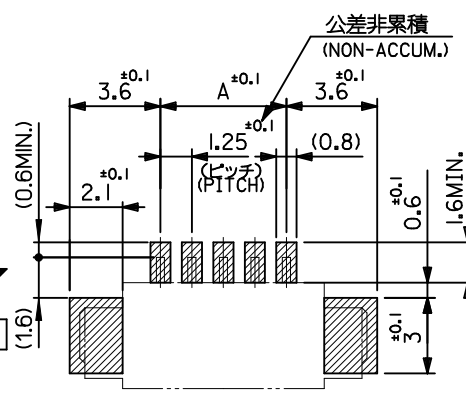
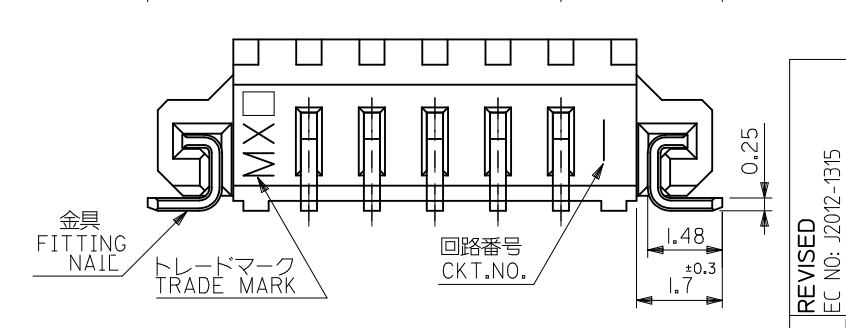
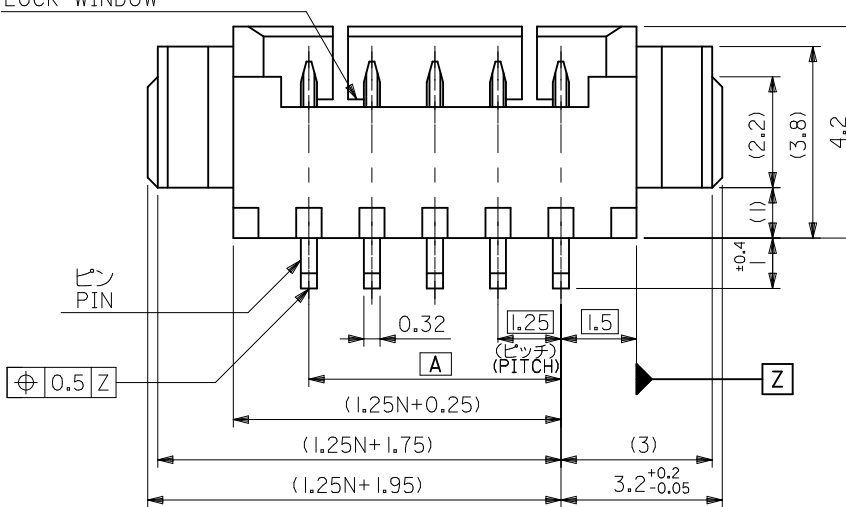
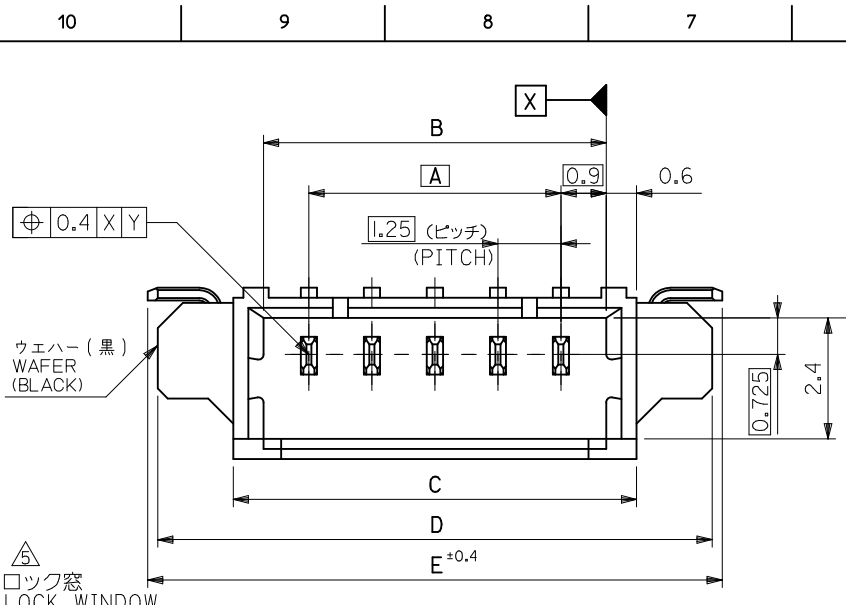
6

5

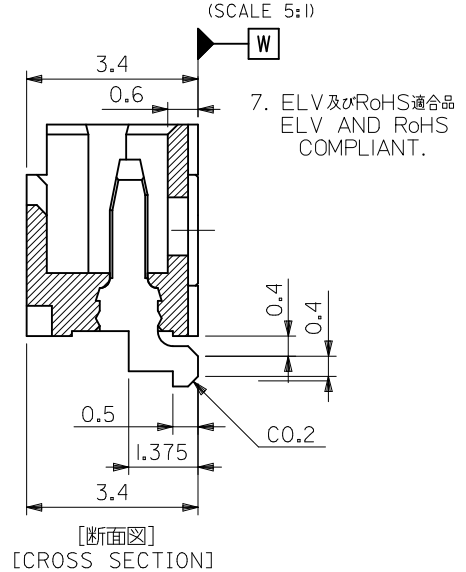
4

3

2



参考基板レイアウト
RECOMMENDED P.C.BOARD PATTERN DIM.(REF.)



注記 NOTES

- 嵌合相手: 51021 シリーズ
MATES WITH: 51021 SERIES
 - 材質
MATERIAL
ウエハー: NYLON 46, UL94V-0 GLASS FILLED 30%
COLOR BLACK
ピン: リン青銅
PIN: PHOSPHOR BRONZE
金具: リン青銅
FITTING NAIL: PHOSPHOR BRONZE
 - メッキ仕様
PLATING
ピン: 錫メッキ 1.0 μmMIN.
PIN: TIN 1.0 MICROMETER MIN.
下地メッキ: ニッケルメッキ 1.0 μmMIN.
UNDER-PLATING: NICKEL 1.0 MICROMETER MIN.
金具: 錫メッキ 1.0 μmMIN.
FITTING NAIL: TIN 1.0 MICROMETER MIN.
下地メッキ: ニッケルメッキ 1.0 μmMIN.
UNDER-PLATING: NICKEL 1.0 MICROMETER MIN.
 - ソルダーテール部のスレ量及び金具 (補強板) のスレ量は基準面 [W] に対し、上方向 0.05 MAX.、下方向に 0.1 MAX. とする。
OFFSET BETWEEN BASIS PLANE [W] TO SOLDER TAIL BOTTOM AND FITTING NAIL BOTTOM:
UPPER SIDE: 0.05MAX.
LOWER SIDE: 0.1MAX.
- △ ロック窓は2、3極は1箇所、4極以上は2箇所とする。
LOCK WINDOW: ONE PLACE FOR 2 AND 3 CKTS. AND TWO PLACES FOR MORE THAN 3 CKTS.
6. 本製品は53261-***11, -***68の鉛フリー品である。
THIS PRODUCT IS LEAD FREE OF 53261-***11, -***68.

22.65	22.25	19.25	18.05	16.25	53261-1417	14
20.15	19.75	16.75	15.55	13.75	53261-1217	12
16.4	16	13	11.8	10	53261-0917	9
15.15	14.75	11.75	10.55	8.75	53261-0817	8
13.9	13.5	10.5	9.3	7.5	53261-0717	7
12.65	12.25	9.25	8.05	6.25	53261-0617	6
11.4	11	8	6.8	5	53261-0517	5
10.15	9.75	6.75	5.55	3.75	53261-0417	4
8.9	8.5	5.5	4.3	2.5	53261-0317	3
7.65	7.25	4.25	3.05	1.25	53261-0217	2

MODEL NO. 53261-***17		DIMENSION STYLE MM ONLY		SCALE 10:1		DESIGN UNITS METRIC		THIRD ANGLE PROJECTION	
GENERAL TOLERANCES (UNLESS SPECIFIED)		DRAWN BY YWADA		DATE 04/04/12		TITLE 1.25 W/B CONN WAFER ASSY FOR SMT R/A			
10 UNDER ±0.2		CHECKED BY MSASAO		DATE 04/04/12					
10 OVER 30 UNDER ±0.25		APPROVED BY MSASAO		DATE 04/04/12					
30 OVER ±0.3		MATERIAL NO.		DOCUMENT NO.		SHEET NO.			
ANGULAR ±3 °		SEE CHART		SD-53261-025		1 OF 1			
DRAFT WHERE APPLICABLE MUST REMAIN WITHIN DIMENSIONS		SIZE A3		THIS DRAWING CONTAINS INFORMATION THAT IS PROPRIETARY TO MOLEX INCORPORATED AND SHOULD NOT BE USED WITHOUT WRITTEN PERMISSION					

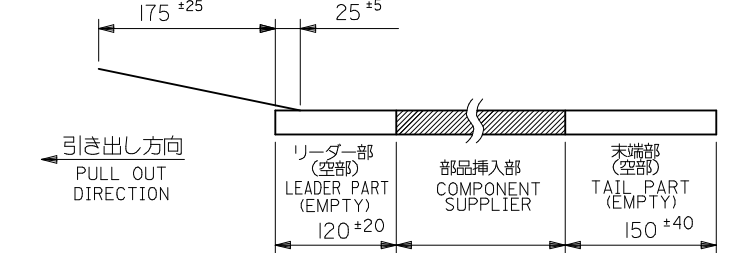
注記
NOTES

1. 53261-**-17 の詳細寸法については図面 SD-53261-025 を参照下さい。
RE DETAILED DIMENSIONS,SEE SD-53261-025

2. 梱包数量：1000個/リール
NUMBER OF CONNECTOR:1000PCS/REEL

3. リードテープ長さ LEAD TAPE LENGTH

トップテープリーダ部 TOP TAPE LEADER PART 175⁺²⁵
トップテープ未接着部 TOP TAPE NON-BONDED PART 25⁺⁵



4. トップテープの剥離強度：0.1~1.3N{10~130gf} (剥離方向は下図参照)
PEELING OFF FORCE OF TOP TAPE: 0.1~1.3N{10~130gf}
(PEELING DIRECTION IS SHOWN IN FOLLOWING FIG.)

<剥離速度：300mm/min(参考)>
PEELING SPEED:300mm/min.
(REFERENCE)



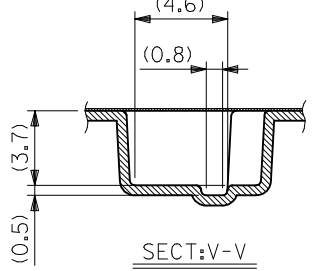
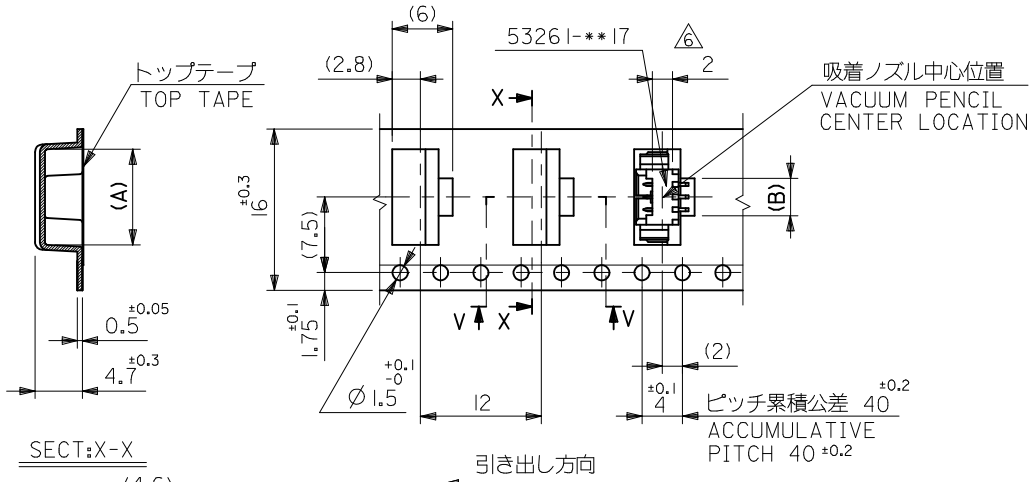
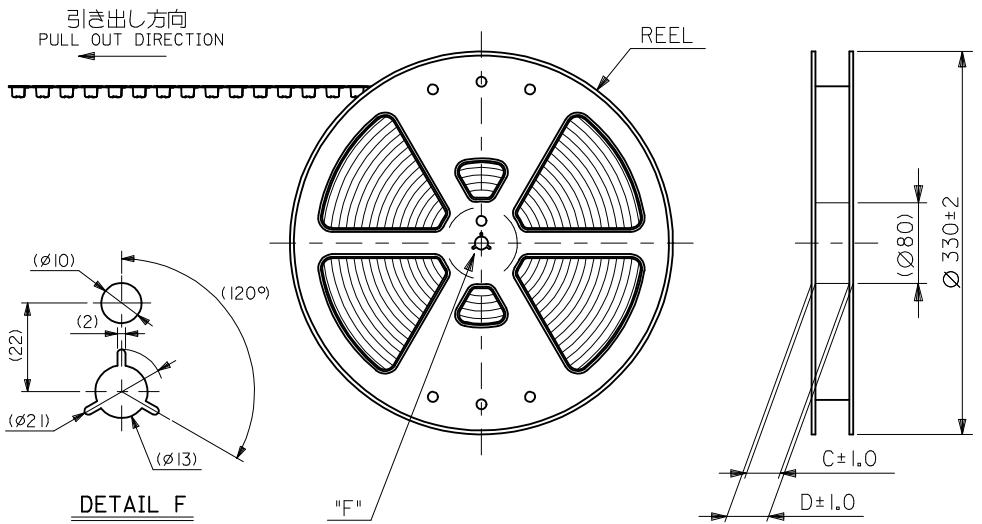
5. 材料 (MATERIAL)
キャリアテープ(CARRIER TAPE):ポリプロピレン(POLYPROPYLENE)
トップテープ (TOP TAPE): PET ,PE ,PEF
リール (REEL):ポリスチレン (PS) <リサイクル材含む>
POLYSTYRENE(PS) <RECYCLE MATERIAL CONTAINED>

△ コネクタ、ハウジング平面部
CONNECTOR, HOUSING FLAT AREA

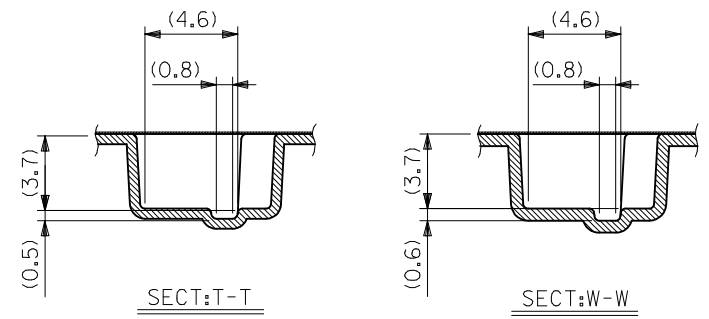
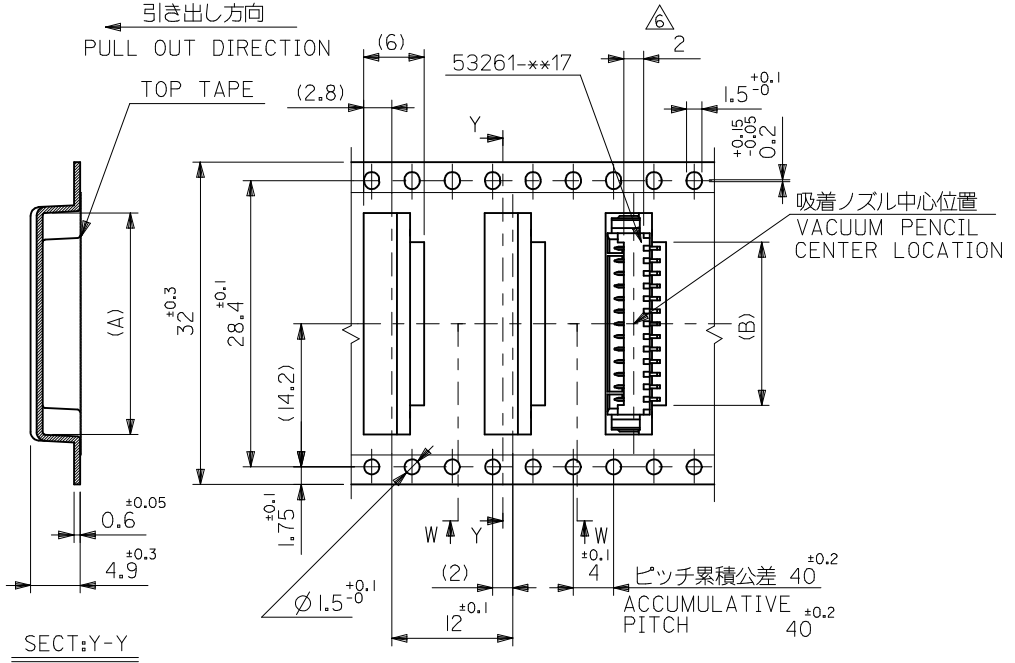
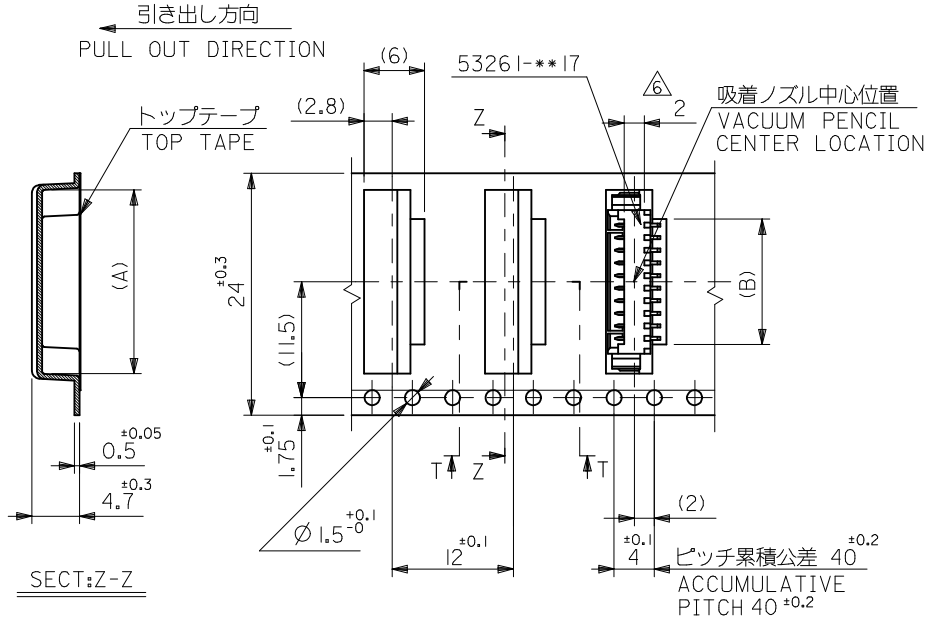
7. 本製品は53261-**-95, -**-98の鉛フリー品である。
THIS PRODUCT IS LEAD FREE OF 53261-**-95, -**-98.

8. 本製品は乾燥剤入り、ハイバリア梱包品である。
THIS PRODUCT IS HIGH BARRIER PACKAGE WITH DESICCANT.

16	21.4	17.4	2.45	8.25	53261-0227	2
キャリアテープ幅 CARRIER TAPE WIDTH	D	C	B	A	MATERIAL NO.	極数 CKT.
					MODEL NO.	53261-**-27

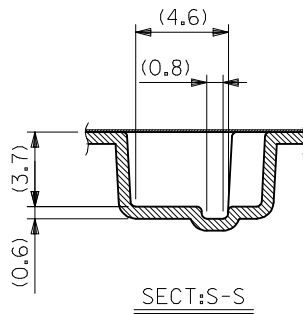
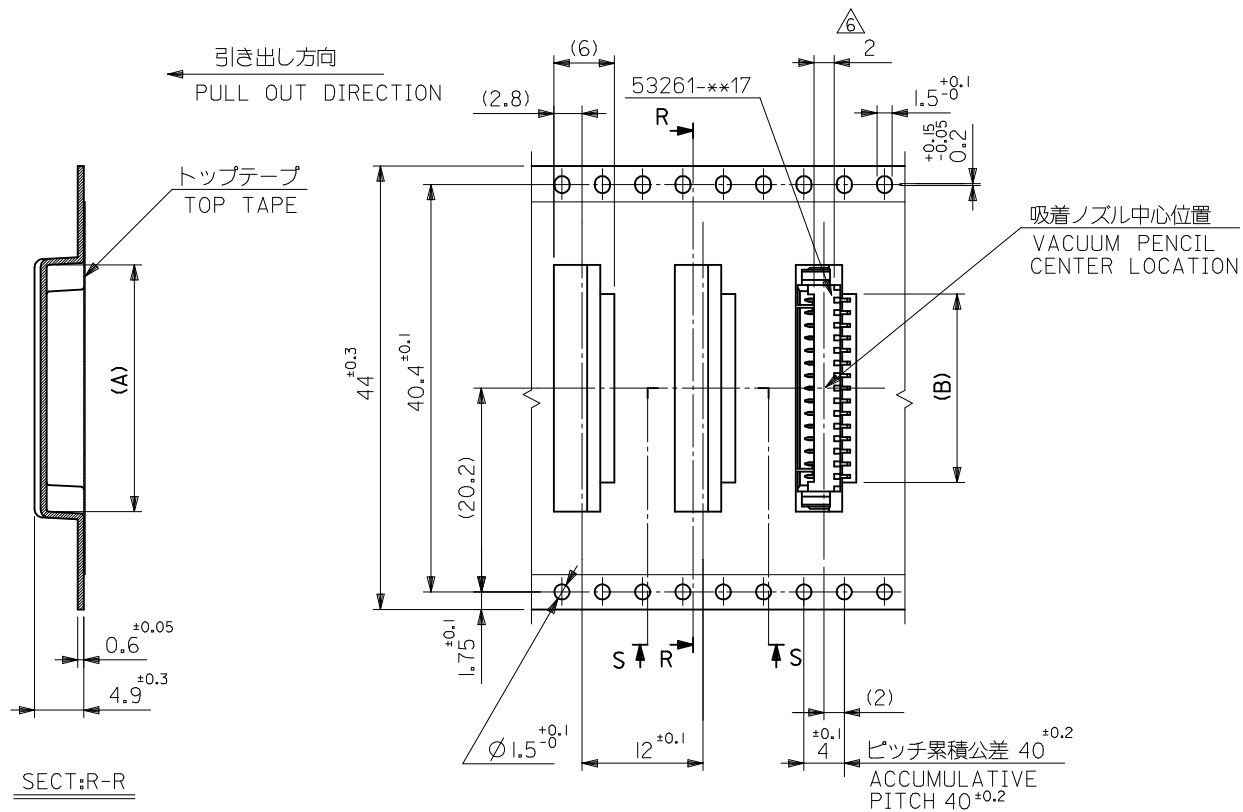


REVISED	EC NO: J2009-2060	2009/05/20	DRWN:TKON	2009/05/21	CHKD:HATSUMOTO	2009/05/21	APPR:NIKI ITA	2009/05/21
DESCRIPTION	GENERAL TOLERANCES (UNLESS SPECIFIED)							
REV	10 UNDER	±0.2	DIMENSION STYLE MM ONLY					
	10 OVER 30 UNDER	±0.25	SCALE ---					
	30 OVER	±0.3	DESIGN UNITS METRIC					
	ANGULAR ±3 °		THIRD ANGLE PROJECTION					
	DRAFT WHERE APPLICABLE MUST REMAIN WITHIN DIMENSIONS		TITLE 1.25 W/B CONN. WAFER ASSY SMT EMBSTP PKG -LEAD FREE-					
			APPROVED BY M. SASAO '04/04/12					
			MATERIAL NO. SEE CHART					
			DOCUMENT NO. SD-53261-026					
			SHEET NO. 1 OF 3					



32	37.4	33.4	14.95	20.75	53261-1227	12
24	29.4	25.4	11.2	17	53261-0927	9
			9.95	15.75	53261-0827	8
			8.7	14.5	53261-0727	7
			7.45	13.25	53261-0627	6
			6.2	12	53261-0527	5
			4.95	10.75	53261-0427	4
			3.7	9.5	53261-0327	3
キャリアテープ幅 CARRIER TAPE WIDTH	D	C	B	A	MATERIAL NO.	極数 CKT.

REVISED EC NO: J2009-2060 DRWN:TKON 2009/05/20 CHKD:HATSUMOTO 2009/05/21 APPR:NUKITA 2009/05/21 REV D	GENERAL TOLERANCES (UNLESS SPECIFIED)		DIMENSION STYLE MM ONLY		SCALE ---	DESIGN UNITS METRIC	THIRD ANGLE PROJECTION
	10 UNDER	±0.2	DRAWN BY	DATE	TITLE		
	10 OVER 30 UNDER	±0.25	Y. WADA	'04/04/12	1.25 W/B CONN. WAFER ASSY SMT EMBSTP PKG -LEAD FREE-		
	30 OVER	±0.3	M. SASAO	'04/04/12	MOLEX INCORPORATED		
ANGULAR ±3 ° DRAFT WHERE APPLICABLE MUST REMAIN WITHIN DIMENSIONS		APPROVED BY M. SASAO '04/04/12		MATERIAL NO. SEE CHART	DOCUMENT NO. SD-53261-026	SHEET NO. 2 OF 3	
THIS DRAWING CONTAINS INFORMATION THAT IS PROPRIETARY TO MOLEX INCORPORATED AND SHOULD NOT BE USED WITHOUT WRITTEN PERMISSION							



44mm幅キャリアテープ
44mm WIDTH CARRIER TAPE

44	49.5	45.4	17.45	23.25	53261-1427	14
キャリアテープ幅 CARRIER TAPE WIDTH	D	C	B	A	MATERIAL NO.	極数 CKT.
					MODEL NO.	53261-**27

REVISED EC NO: J2009-2060 DRWN:TKON CHKD:HATSUMOTO APPR:NUKITA	DESCRIPTION REV	GENERAL TOLERANCES (UNLESS SPECIFIED)		DIMENSION STYLE MM ONLY		SCALE ---	DESIGN UNITS METRIC	THIRD ANGLE PROJECTION	
		10 UNDER	±0.2	DRAWN BY Y. WADA	DATE '04/04/12	TITLE 1.25 W/B CONN. WAFER ASSY SMT EMBSTP PKG -LEAD FREE-			
		10 OVER 30 UNDER	±0.25	CHECKED BY M. SASAO	DATE '04/04/12	MOLEX INCORPORATED			
		30 OVER	±0.3	APPROVED BY M. SASAO	DATE '04/04/12	DOCUMENT NO. SD-53261-026			
ANGULAR ±3 °		DRAFT WHERE APPLICABLE MUST REMAIN WITHIN DIMENSIONS		MATERIAL NO. SEE CHART		SHEET NO. 3 OF 3		THIS DRAWING CONTAINS INFORMATION THAT IS PROPRIETARY TO MOLEX INCORPORATED AND SHOULD NOT BE USED WITHOUT WRITTEN PERMISSION	