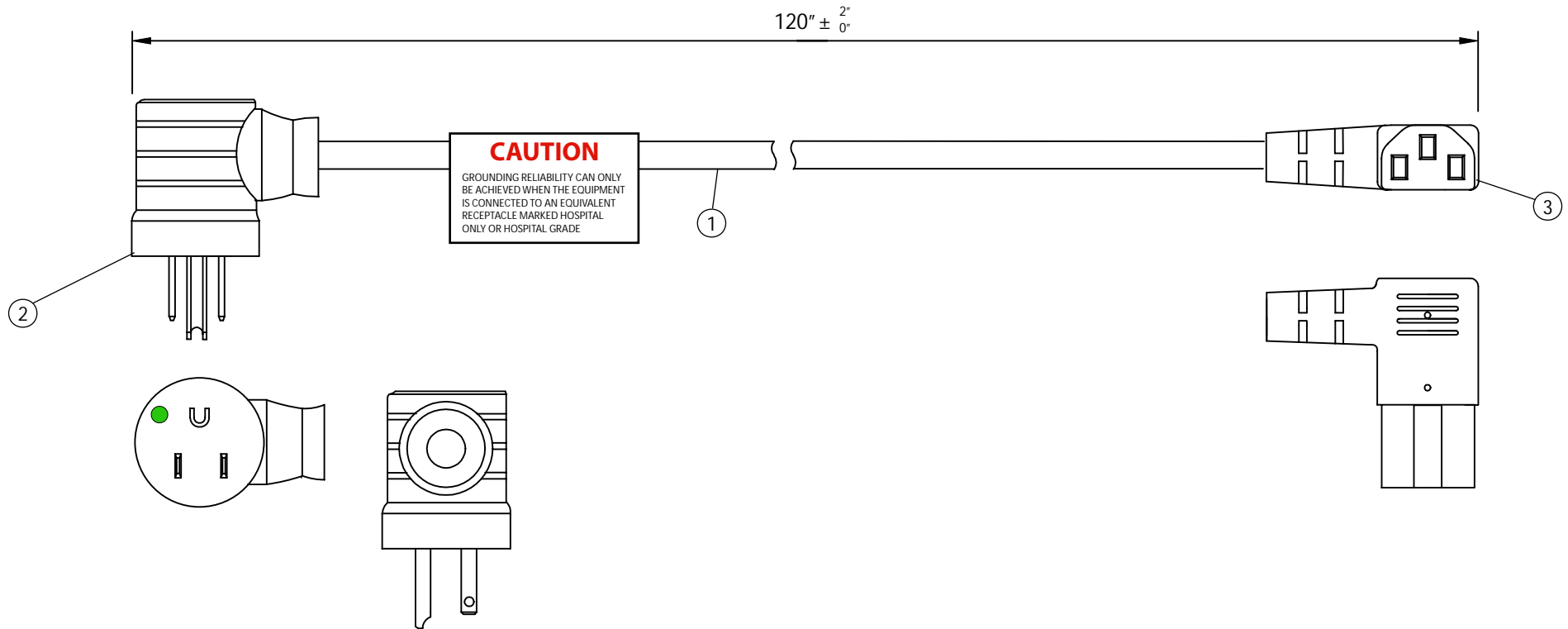


THESE DRAWINGS ARE THE PROPERTY OF QUALTEK ELECTRONICS AND NOT TO BE REPRODUCED FOR OR COMMUNICATED TO A THIRD PARTY WITHOUT THE EXPRESS WRITTEN PERMISSION OF AN OFFICER OF QUALTEK ELECTRONICS.

REVISION			
REV.	DESCRIPTION	DATE	APPROVED



NOTES:

1. CORDAGE: SJT, 18AWG / 3C , UNSHIELDED, NA COLOR CODE, TEMP. RATING: 60°C, RATING: 125V, 10A, JACKET COLOR: GRAY
2. PLUG: NEMA 5-15P HOSPITAL GRADE ANGLED (CLEAR)
3. CONNECTOR: IEC 60320 C13 RIGHT ANGLED (CLEAR)
4. APPROVALS: UL, CSA
5. ROHS COMPLIANT
6. CAUTION LABEL

**CONTROLLED**

		<b>Qualtek Electronics Corp.</b>		
		<b>PPC DIVISION</b>		
		Part Number:	243012-06	<span style="border: 1px solid green; padding: 2px;">RoHS Compliant</span>
		Description: <b>POWER CORD HOSPITAL GRADE</b>		
Dim range (mm)	Tolerance +/- (mm)	UNIT: in		
0-1	0.15	Drawn / Date		
1-6	0.20			
6-18	0.30	Checked / Date		
18-50	0.50			
50-120	0.70	Approved / Date		
120-250	0.90			
250-500	1.20	R. Nuti 03-22-18	03-22-18	LY / 03-22-18