

C4532JB2J683K160KA

TDK Item Description : C4532JB2J683KT***

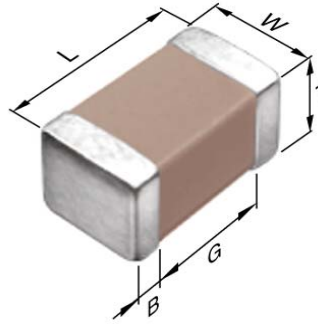


Application & Main Feature

Commercial Grade (Mid Voltage (100 to 630V))

Series

C4532 [EIA CC1812]



Dimensions

L 4.50mm +/-0.4mm
 W 3.20mm +/-0.4mm
 T 1.60mm +/-0.2mm
 B 0.20mm Min.
 G

Temperature Characteristic

JB (-25 to 85 degC +/-10%)

Rated Voltage

2J (630Vdc)

Capacitance

68nF

Capacitance Tolerance

K (+/-10%)

Dissipation Factor

3% Max.

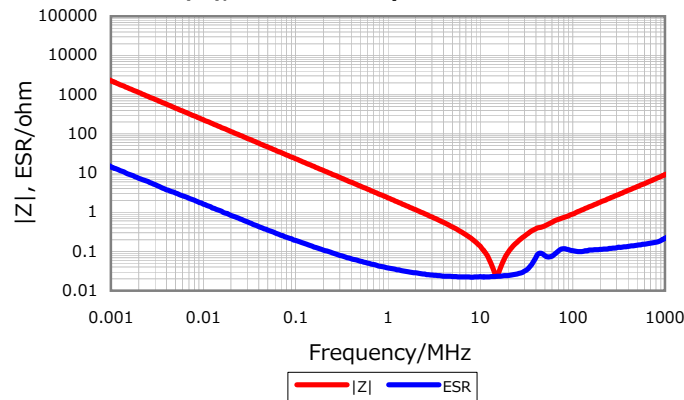
Insulation Resistance

7.35Gohm Min.

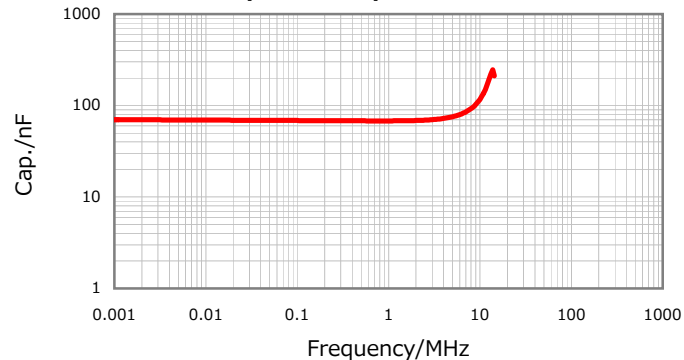
AEC-Q200

Not Applicable

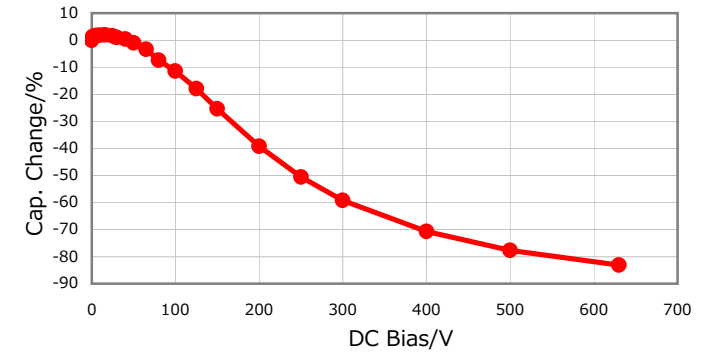
|Z|, ESR vs. Freq. Characteristics



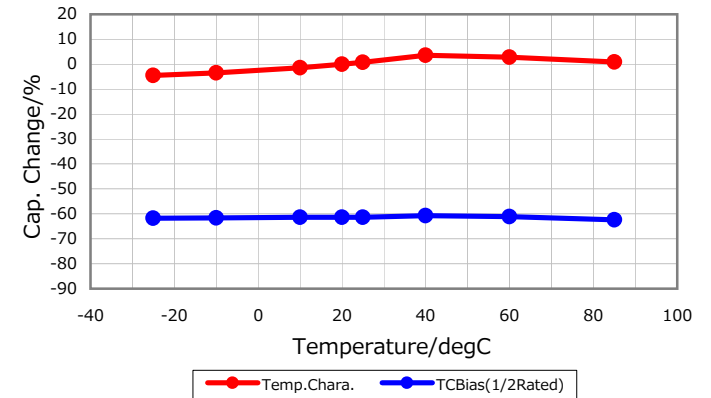
Cap. vs. Freq. Characteristic



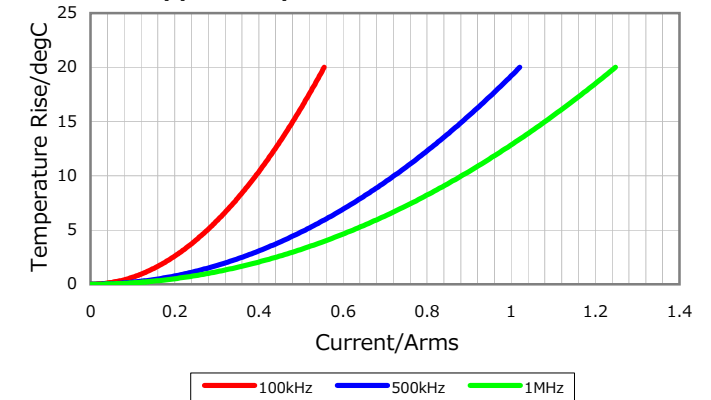
DC Bias Characteristic



Temperature Characteristics



Ripple Temperature Rise Characteristics



Characterization Sheet (Multilayer Ceramic Chip Capacitors)



All specifications are subject to change without notice.

January 4, 2016