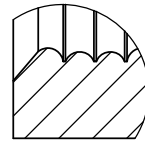
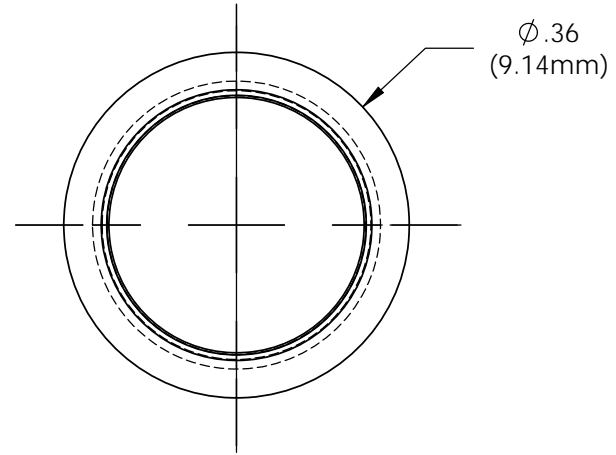
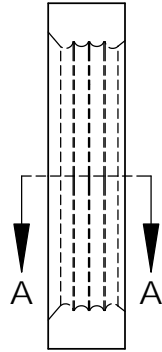
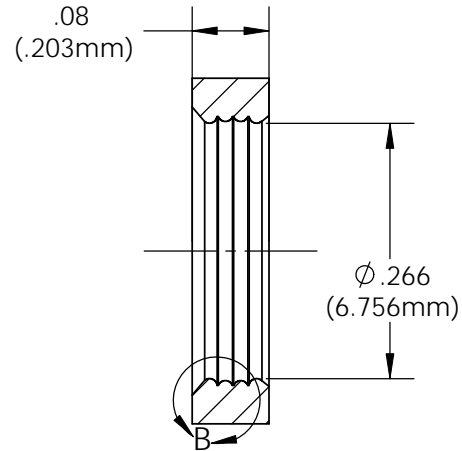


NOTES:
 1) U.S. & Foreign Pat. Issued & Pend.

REVISIONS				
ECN #	REV	DESCRIPTION	DATE	INITIALS
	N/A	INITIAL RELEASE	5/12/94	JS
	001	REVISED PER ECR 111009AZ01	2/11/10	KH
145	002	CHANGE IN MATERIAL	7/12/10	KH



DETAIL B
 SCALE 10 : 1



SECTION A-A



ISOMETRIC VIEW
 SCALE 4:1

<small>UNLESS OTHERWISE SPECIFIED DIMENSIONS ARE IN INCHES:</small> ANGLES ± 1' DECIMALS .X ±.020 .XX ±.010 .XXX ±.005 <small>BREAK ALL CORNERS AND SHARP EDGES .050 MAX</small>		MATERIAL POLYPROPYLENE, BLACK		VISUAL COMMUNICATIONS COMPANY 190 Bosstick Boulevard, Suite 101 San Marcos, CA 92069 USA Phone (760) 560-1300 Fax (760) 560-1301 email vccsales@vcclite.com	
<small>THIRD ANGLE PROJECTION</small> 		FINISH SEE NOTES		TITLE: CLIPMOUNT RING RNG 234	
<small>PROPRIETARY AND CONFIDENTIAL</small> <small>THE INFORMATION CONTAINED IN THIS DRAWING IS THE SOLE PROPERTY OF VISUAL COMMUNICATIONS COMPANY, INC. ANY REPRODUCTION IN PART OR AS A WHOLE WITHOUT THE WRITTEN PERMISSION OF VISUAL COMMUNICATIONS COMPANY, INC. IS PROHIBITED.</small>		APPROVALS DRAWN K.Howard CHECKED DPZ	DATE 2/11/10 2/22/10	SIZE A	DWG. NO. RNG 234
		DO NOT SCALE DRAWING		REV 002	SCALE: 5:1
				SHEET 1 OF 1	