

THIS DRAWING IS UNPUBLISHED.
VERTRAULICHE UNVEREFFENTLICHTE ZEICHNUNG

RELEASED FOR PUBLICATION
FREI FUER VEREFFENTLICHUNG
ALL RIGHTS RESERVED.
ALLE RECHTE VORBEHALTEN

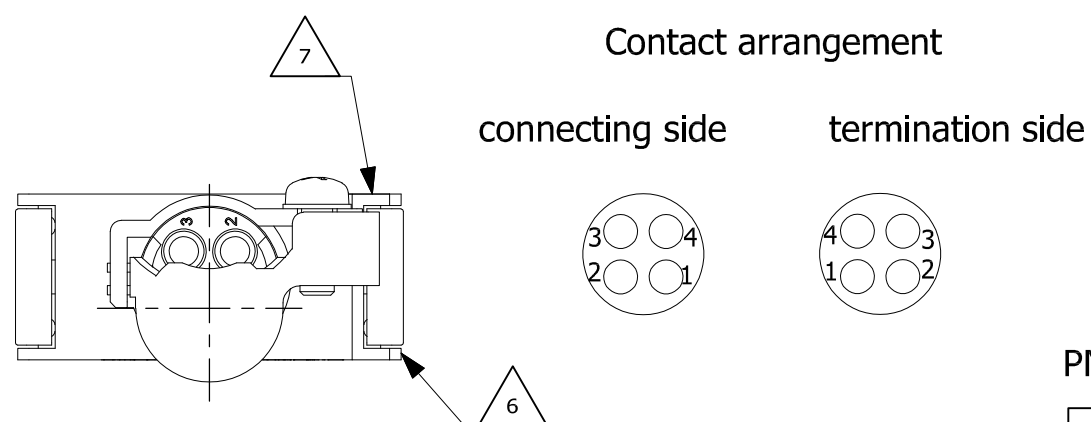
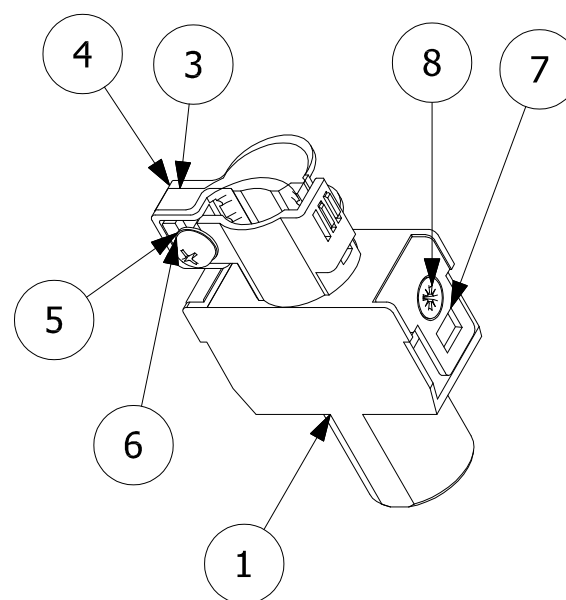
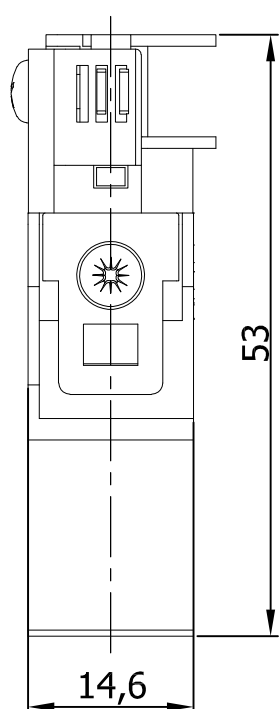
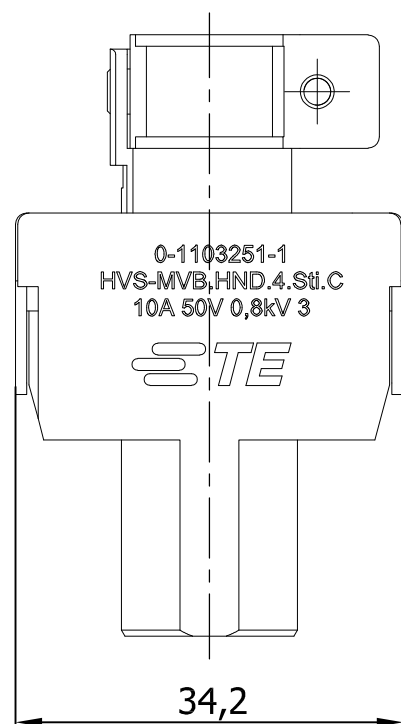
PROJEKT NR. **EGGMN 04410**

REVISIONS
AENDERUNGEN

| P | LTR | DESCRIPTION BESCHREIBUNG | DATE | DWN | APVD |
|---|-----|-----------------------------|---------------|------------|--------|
| A | | CONTACT ARRANGEMENT ADDED | ECR-06-022352 | 08-09-2006 | SR AG |
| B | | ECR-15-007885 | | 14JUL2015 | GSK JB |

NOTES

- SUITABLE CRIMP CONTACTS: SERIES HN.D
CUSTOMER DRAWING: 1105050
OUTER DIMENSIONS OF INSULATION: MAX. Ø4 MM
- SUITABLE MODULE FIXING FRAME: SERIES HVS SIZE 3 TO 8
CUSTOMER DRAWING: 1103250
- SUITABLE INSERTION TOOL:
CUSTOMER DRAWING: 1102855
- SUITABLE EXTRACTION TOOL:
CUSTOMER DRAWING: 1102855
- STANDARDS:
DIN EN 61984; DIN EN 60664-1
- POLARIZATION RIPS
- MARKING OF POLARIZATION ACCORDING MARKING OF
MODULE FRAME
- PACKAGING:
10 SETS IN A CARTON, PRE-MOUNTED



| QTY. | DESCRIPTION | MATERIAL | SURFACE | COLOR | NOTE | ITEM |
|------|---------------------|------------|-------------|-------|-------------|------|
| 2 | COUNTER SUNK SCREW | Standard | - | - | - | 8 |
| 2 | MOUNTING PLATE | ZINC | - | - | - | 7 |
| 1 | SCREW | STEEL | - | - | ISO 7045 A2 | 6 |
| 1 | SPRING WASHER, A3 | STEEL | ZINC PLATED | - | DIN 137 | 5 |
| 1 | CLOSING 3-6 MM | ZINC | - | - | - | 4 |
| 1 | CLOSING 6-9 MM | ZINC | - | - | - | 3 |
| 1 | CONTACT INSERT MALE | PA6.6-GF25 | - | BLACK | - | 2 |
| 1 | MALE INSERT | ZINC ALLOY | - | - | - | 1 |

PN 0-1 AS SHOWN

| | | | | | |
|--|--|--|--|-----------------------|---|
| THIS DRAWING IS A CONTROLLED DOCUMENT. DIESE ZEICHNUNG IST EIN KONTROLLIERTES DOKUMENT. | | DWN SCHNEIDER 16.02.2006 | STE TE Connectivity | | |
| DIMENSIONS: MASSE/MAEßEN: mm | | CHK A.GAST 16.02.2006 | | | |
| TOLERANCES UNLESS OTHERWISE SPECIFIED: ALLGEMEINTOLERANZEN | | APVD T.SCHNURPFEIL 16.02.2006 | NAME MALE INSERT HVS-MVB.4.STI.C | | |
| 0 PLC ± 1 PLC ± 2 PLC ± 3 PLC ± 4 PLC ± ANGLES/WINKEL ± | | PRODUCT SPEC PRODUKTSPEZ. 108-74078 | SIZE A3 | CAGE CODE 00779 | DRAWING NO ZEICHNUNGS-NR. G-1103251 |
| MATERIAL | | APPLICATION SPEC. VERARBEITUNGSSPEZ. 114-74080 | RESTRICTED TO NUR FUER | | |
| FINISH/OBERFLAECHE/FARBE | | WEIGHT GEWICHT 0.035 KG | SCALE MASSSTAB 1:1 | | |
| | | CUSTOMER DRAWING/KUNDENZEICHNUNG | | SHEET BLATT 1 OF 1 | REV B |