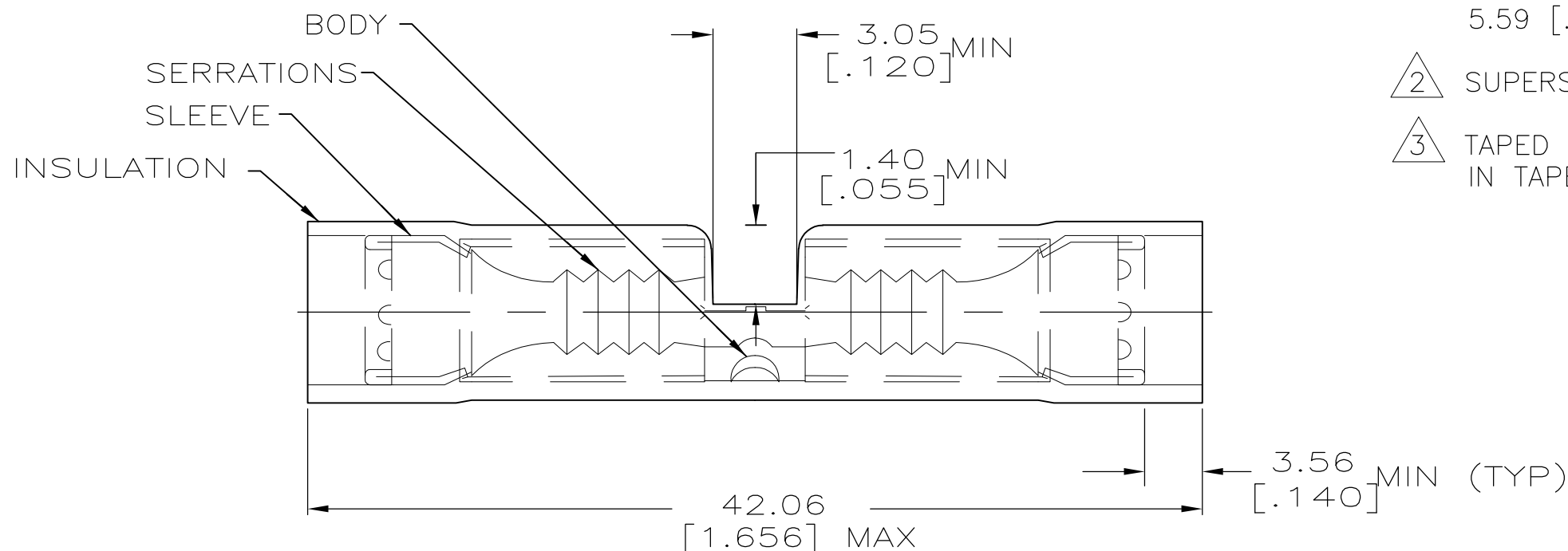


THIS DRAWING IS UNPUBLISHED. RELEASED FOR PUBLICATION
 © COPYRIGHT - By - ALL RIGHTS RESERVED.

LOC	DIST	REVISIONS			
P	LTR	DESCRIPTION	DATE	DWN	APVD
G	14	V1	REVISED PER ECO-11-004587	11MAR11	RK HMR

300 VOLT MAX		
AMP WIRE RANGE	Listed FILE E13288	LR7189 Certified
12-10 AWG SOLID OR STRANDED	12-10 AWG SOLID OR STRANDED	12-10 AWG SOLID OR STRANDED

600 VOLT MAX		
AMP WIRE RANGE	Listed FILE E13288	LR7189 Certified
12-10 AWG STRANDED	12-10 AWG STRANDED	12-10 AWG STRANDED



1 WIRE INSULATION DIA 3.81 [.150] TO 5.59 [.220].

2 SUPERSEDED BY 8-320570-2

3 TAPED PART LONG, CRIMP ONLY IN TAPETRONICS.

MILITARY PART NUMBER & CLASS PER MIL-T-7928	QTY	PACKAGE TYPE	PART NUMBER
-	1000	BULK, LOOSE PIECE	8-320570-5
-	1500	ON TAPE, REEL	3 2-320570-3
-	5	LOOSE PIECE, BLS	8-320570-4 2
-	50	LOOSE PIECE, BOX	8-320570-2
M7928/5-5 CLASS 1 & 2	50	LOOSE PIECE	320570

AMP INCORPORATED CUSTOMER SERVICE SYSTEMS		MAX RECOMMENDED OPERATING TEMPERATURE: 105° C
FOR ADDITIONAL PRODUCT INFORMATION OR COPIES OF DRAWINGS AND TECHNICAL DOCUMENTS	PRODUCT INFORMATION CENTER 1-800-522-6752	VOLTAGE RATING: 600V MAX 1000V MAX (FIXTURE OR SIGN)
FOR APPLICATION TOOLING INFORMATION	TOOLING ASSISTANCE CENTER 1-800-722-1111	CIRCULAR MIL AREA: 2.62-6.64mm² [5,180-13,100]
FOR ORDER ENTRY	1-800-526-5142	THIS DRAWING IS A CONTROLLED DOCUMENT FOR AMP INCORPORATED. IT IS SUBJECT TO CHANGE AND THE CONTROLLING ENGINEERING ORGANIZATION SHOULD BE CONTACTED FOR THE LATEST REVISION.

THIS DRAWING IS A CONTROLLED DOCUMENT.		DWN S.S. GOULDEN 9-28-93	TE Connectivity	
DIMENSIONS: MM [INCHES]		CHK R. HERSEY 9-28-93		
TOLERANCES UNLESS OTHERWISE SPECIFIED:		APVD T. MICHIELUTTI 9-28-93	NAME	
0 PLC ± -		PRODUCT SPEC	SPLICE, BUTT, PIDG, WIRE SIZE: 12-10 AWG	
1 PLC ± -		APPLICATION SPEC	-	
2 PLC ± 0.20[.008]		WEIGHT -	SIZE	CAGE CODE
3 PLC ± -		CUSTOMER DRAWING	A3	00779
4 PLC ± -			DRAWING NO	C-320570
ANGLES ± -		SCALE	1:1	SHEET
MATERIAL	FINISH	SHEET		REV
COPPER ASTM B-152	TIN PLATE	1 OF 1		V1