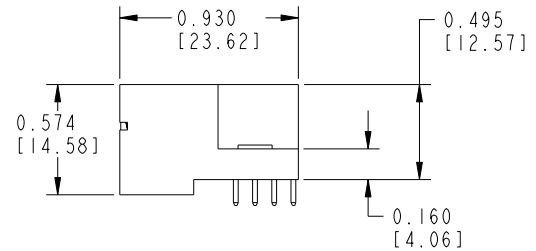
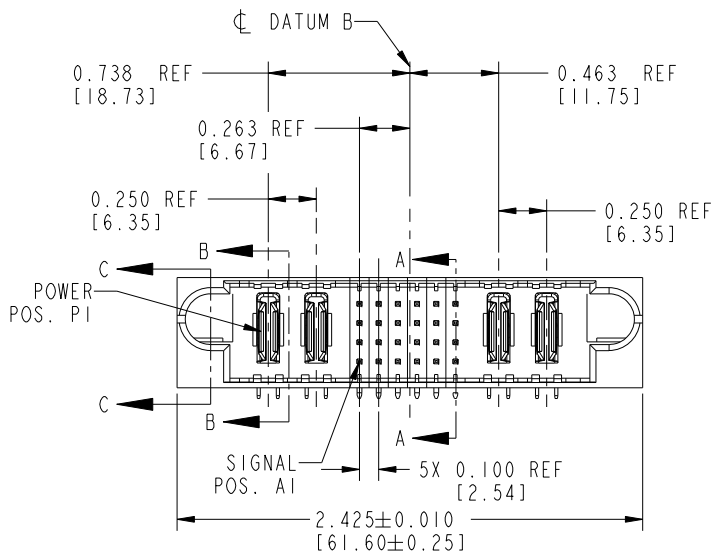
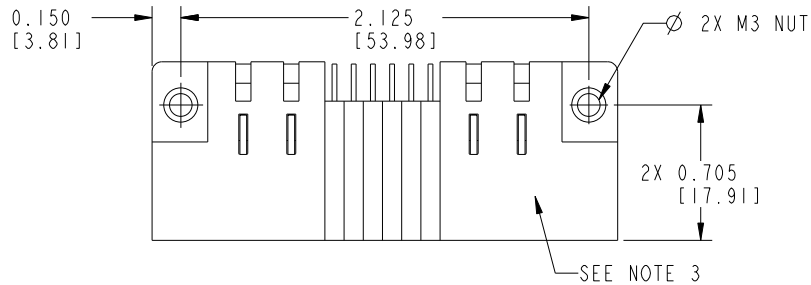
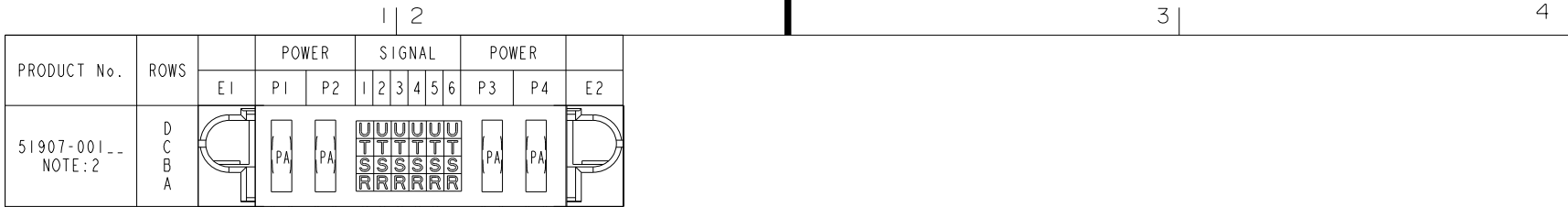


Tous droits strictement réservés. Reproduction ou communication a des tiers interdite sous quelque forme que ce soit sans autorisation écrite du propriétaire. Propriété de c FCI. Droits de reproduction FCI.

All rights strictly reserved. Reproduction or issue to third parties in any form whatever is not permitted without written authority from the proprietor. Property of FCI. Copyright FCI.



| CODE | DIM "M" MATING LENGTH | CONTACT TYPE |
|------|-----------------------|--------------|
| R | 0.270 [6.86] | SIGNAL |
| S | 0.270 [6.86] | SIGNAL |
| T | 0.270 [6.86] | SIGNAL |
| U | 0.270 [6.86] | SIGNAL |
| PA | N/A [N/A] | POWER |

| mat'l code | | | | tolerances unless otherwise specified | | CUSTOMER COPY | |
|-------------|----------------|-----|----------|---------------------------------------|------------------------|--|------------------------|
| lir | ecn no. | dr | date | linear | .XX±.01/0.X±0.3 | INCH/MM scale 1:1 | www.fciconnect.com |
| A | V03-0302 | TAB | 07/14/03 | | .XXY±.005/0.XX±0.13 | | |
| B | DG05-0353 | CS | 09/23/05 | angles | .XXX±.0020/0.XXX±0.051 | | |
| C | DG06-0005 | JMG | 01/06/06 | | 0°±2° | | |
| D | DG08-0266 | W D | 09/22/08 | dr | T. BRUNGARD 07/14/03 | title 2P +24S +2P RIGHT ANGLE SOLDER HEADER | |
| | | | | engr | M. MOSTOLLER 07/14/03 | product family PwrBlade code 213 | |
| | | | | chr | M. MOSTOLLER 07/14/03 | size dwg no 51907-001 sheet 1 OF 3 | |
| | | | | appd | M. MOSTOLLER 07/14/03 | A | |
| sheet index | revision sheet | D 1 | D 2 | D 3 | | | |

| | | | | | | | | | | | | | | | | | | | | |
|-------------|--|----------------|-----|-----|-----|--|--|--|--|--|--|--|--|--|--|--|--|--|--|--|
| sheet index | | revision sheet | D 1 | D 2 | D 3 | | | | | | | | | | | | | | | |
|-------------|--|----------------|-----|-----|-----|--|--|--|--|--|--|--|--|--|--|--|--|--|--|--|

Pro/E

PDM: Rev: D

STATUS: Released

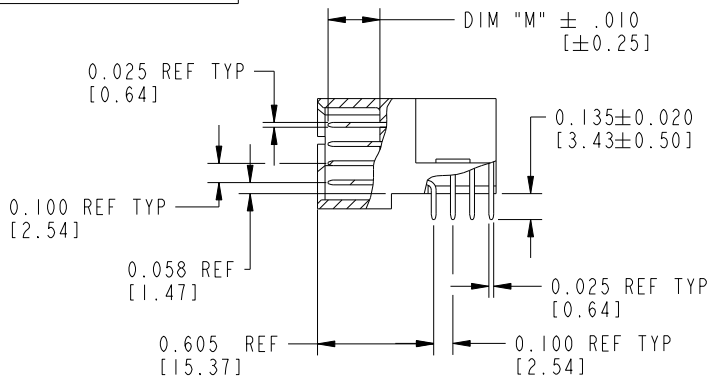
Printed: Dec 20, 2010

Tous droits strictement réservés. Reproduction ou communication a des tiers interdite sous quelque forme que ce soit sans autorisation écrite du propriétaire. Propriété de c FCI. Droits de reproduction FCI.

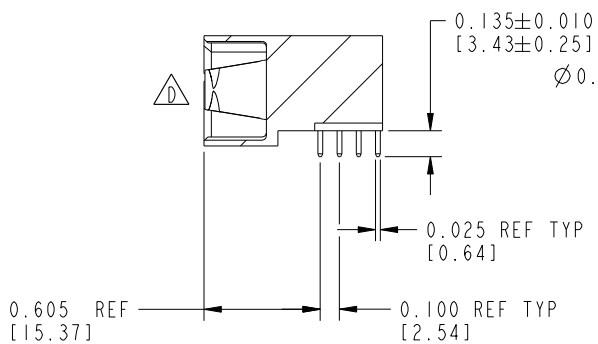
All rights strictly reserved. Reproduction or issue to third parties in any form whatever is not permitted without written authority from the proprietor. Property of FCI. Copyright FCI.



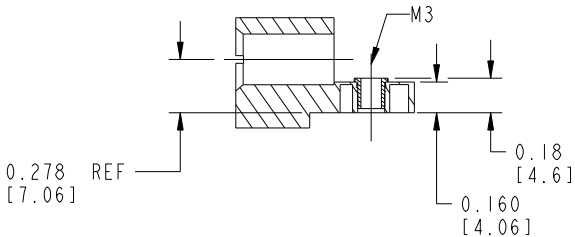
PRODUCT NUMBER
51907-001--
NOTE:2



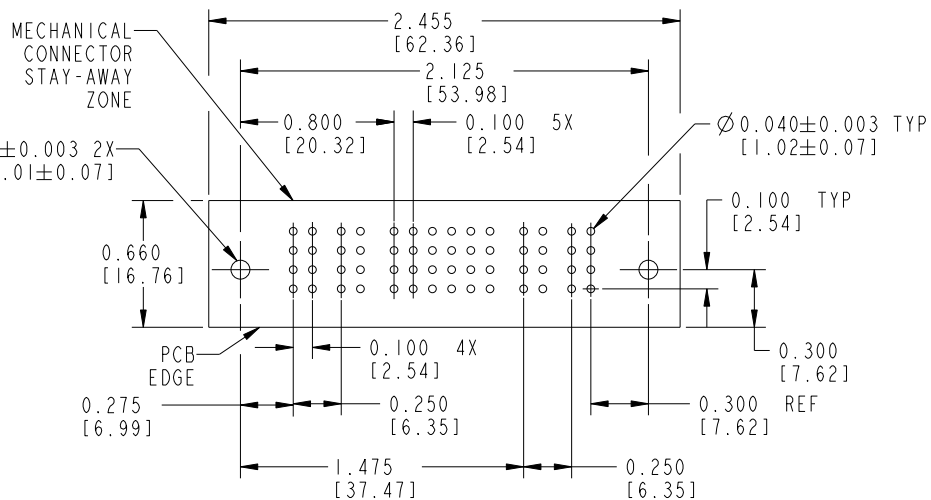
SECTION A-A



SECTION B-B



SECTION C-C



RECOMMENDED PCB LAYOUT

| mat'l code | | | | NOTE 1 | | tolerances unless otherwise specified | | CUSTOMER COPY | | FCI | |
|-------------|----------------|----|------|--------|------------------------|---------------------------------------|--------------------|---------------|---------------------------|-----|--|
| lfr | ecn no. | dr | date | linear | .XX±.01/0.X±0.3 | projection | www.fciconnect.com | | title | | |
| D | | | | angles | .XXY±.005/0.XX±0.13 | INCH/MM | 2P +24S +2P | | RIGHT ANGLE SOLDER HEADER | | |
| | | | | dr | .XXX±.0020/0.XXX±0.051 | scale | PwrBlade | | code | | |
| | | | | enrg | 0°±2° | 1:1 | product family | | 213 | | |
| | | | | chr | T. BRUNGARD 07/14/03 | | size | | sheet | | |
| | | | | appd | M. MOSTOLLER 07/14/03 | | 51907-001 | | 2 | | |
| | | | | | M. MOSTOLLER 07/14/03 | | A | | | | |
| sheet index | revision sheet | | | | | | | | | | |

Pro/E

PDM: Rev: D

STATUS: Released

Printed: Dec 20, 2010

cage code 22536

Tous droits strictement réservés. Reproduction ou communication a des tiers interdite sous quelque forme que ce soit sans autorisation écrite du propriétaire. Propriété de c FCI. Droits de reproduction FCI.



All rights strictly reserved. Reproduction or issue to third parties in any form whatever is not permitted without written authority from the proprietor. Property of FCI. Copyright FCI.

1 | 2

3 |

4

PRODUCT NUMBER
51907-001--
NOTE:2

CONNECTOR NOTES:

- ① HOUSING MATERIAL: UL 94 V-0 GLASS FILLED HIGH TEMP THERMOPLASTIC
POWER CONTACT MATERIAL: COPPER ALLOY
SIGNAL CONTACT MATERIAL: COPPER ALLOY
M3 NUT MATERIAL: BRASS ALLOY
- ⚠ 2. SEE ITEM 1 & 2 IN PRINT 10064183 FOR PLATING SPEC OF 51907-001 AND 51907-001LF RESPECTIVELY.
- 3. "MANUFACTURER'S" NAME, P/N, AND DATE CODE TO APPEAR ON THIS SURFACE
- 4. PRODUCT SPECIFICATION GS-12-149

PCB NOTES:

- 5. ALL DIMENSIONS ARE BASIC UNLESS OTHERWISE SPECIFIED.
- 6. ALL THROUGH HOLES ARE LOCATED WITH A TRUE POSITION OF 0.004 [0.10]
- 7. ALL HOLE DIAMETERS ARE FINISHED HOLE SIZE
- 8. $\varnothing 0.158[4.01]$ THROUGH HOLES ARE UNPLATED.
- 9. $\varnothing 0.0453 \pm 0.0010$ [1.151 ± 0.025] DRILLED HOLES PLATED WITH 0.0003 [0.008] MIN SnPb OVER 0.001 [0.03] TO 0.003 [0.08] Cu PLATING TO ACHIEVE A $\varnothing 0.040 \pm 0.003$ [1.02 ± 0.07] HOLE.
- 10. A \triangle SYMBOL WILL BE NEXT TO ANY DIMENSION, VIEW, OR NOTE WHICH HAS BEEN MODIFIED WITH THE CURRENT DRAWING REVISION.

CONFIDENTIAL

| | | | | | | | | | | | |
|-------------|----------------|----|------|-----------|--------------|---------------------------------------|-----------|--|-------------------------|---------------------------|----------|
| mat'l code | | | | SEE NOTES | | tolerances unless otherwise specified | | CUSTOMER | | FCJ www.fciconnect.com | |
| ltr | ecn no. | dr | date | linear | projection | COPY | | title 2P +24S +2P RIGHT ANGLE SOLDER HEADER | | | |
| D | | | | | | angles | INCH/MM | | product family PwrBlade | | code 213 |
| | | | | dr | T. BRUNGARD | 07/14/03 | scale 1:1 | | size A | | sheet 3 |
| | | | | enrg | M. MOSTOLLER | 07/14/03 | A | | 51907-001 | | |
| | | | | chr | M. MOSTOLLER | 07/14/03 | | | | | |
| | | | | appd | M. MOSTOLLER | 07/14/03 | | | | | |
| sheet index | revision sheet | | | | | | | | | | |

1 | 2

Pro/E

PDM: Rev:D

STATUS: **Released**

Printed: Dec 20, 2010

A

A

B

B