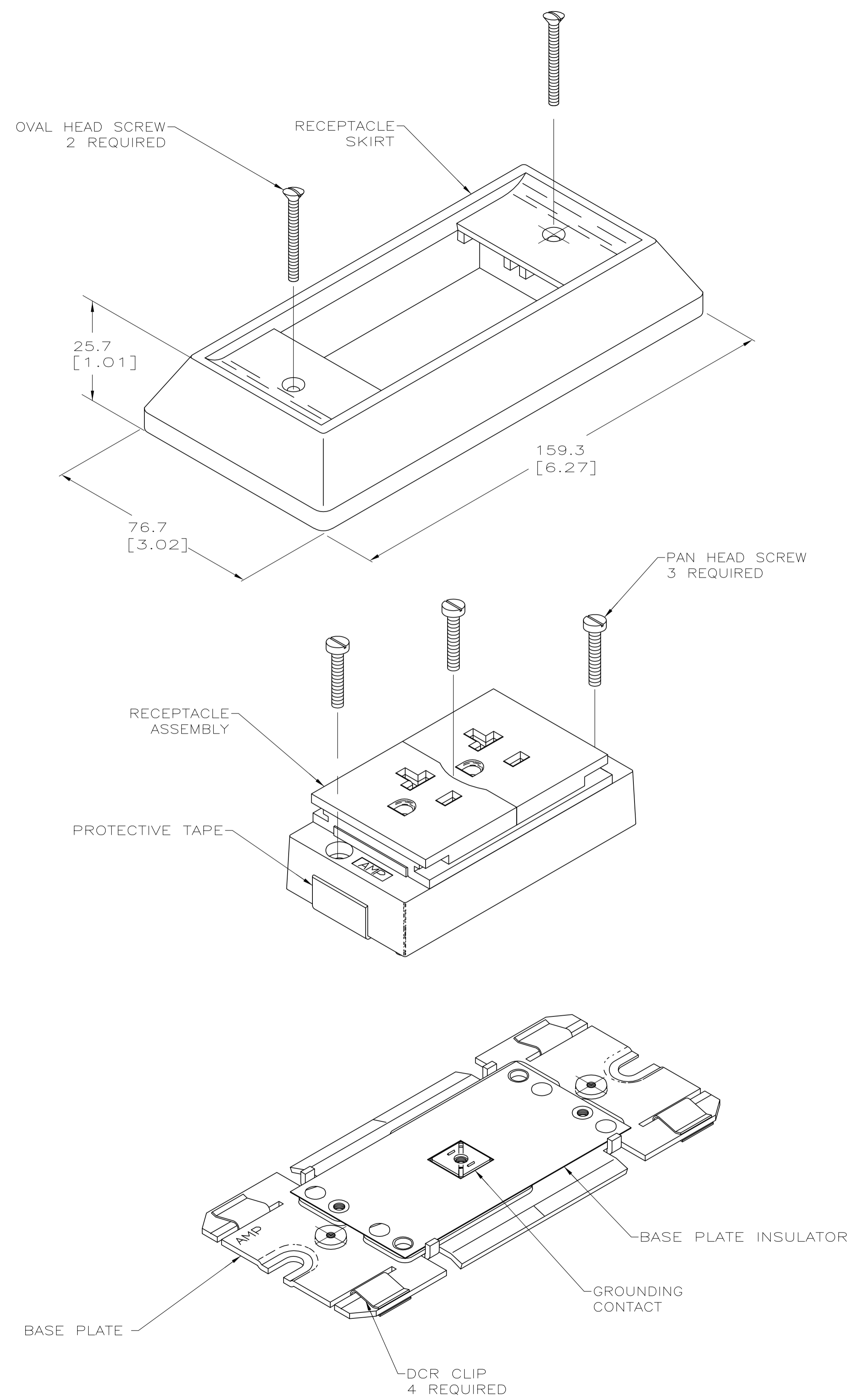


LOC		DIST		REVISIONS			
F	LTR	DESCRIPTION	DATE	DMN	APVD		
F		REV ECO-07-026113	06NOV07	LDS	SJ		



- ⚠ ALL DIMENSIONS SHOWN ARE MAXIMUM UNLESS OTHERWISE SPECIFIED.
- 2. HARDWARE SHIPPED NOT ASSEMBLED.
- ⚠ MATERIAL: SKIRT - ABS MOLDING COMPOUND.
 RECEPTACLE ASSEMBLY - SLIDING COVER, POLYCARBONATE MOLDING COMPOUND;
 BASE, PBT MOLDING COMPOUND.
 BASE PLATE - PREGALVANIZED STEEL.
 BASE PLATE INSULATOR - VULCANIZED FIBRE.
 HARDWARE - ZINC PLATED STEEL.
 DCR CLIP - STAINLESS STEEL.
 TERMINALS AND GROUNDING CONTACT - COPPER ALLOY.

GRAY	553947-3
BLACK	553947-1
RECEPTACLE COLOR	PART NO.

THIS DRAWING IS A CONTROLLED DOCUMENT.		DIN G. GARRETT 18MAR97		Tyco Electronics Corporation	
DIMENSIONS: mm [INCHES]		CIR G. GARRETT 18MAR97		Harrisburg, PA 17105-3608	
TOLERANCES UNLESS OTHERWISE SPECIFIED:		APVD J. KILPATRICK 18MAR97		NAME DIRECT CONNECTING RECEPTACLE, 3 CONDUCTOR, DUPLEX, 15/20A	
0. PLC ± - ⚠		PRODUCT SPEC		SIZE A1	
1. PLC ± - ⚠		APPLICATION SPEC		CAGE CODE 114-6008	
2. PLC ± - ⚠		WEIGHT		DRAWING NO. 553947	
3. PLC ± - ⚠		CUSTOMER DRAWING		RESTRICTED TO	
4. PLC ± - ⚠		SCALE 1:1		SHEET 1 OF 1	
ANGLES ± - ⚠		REV F			