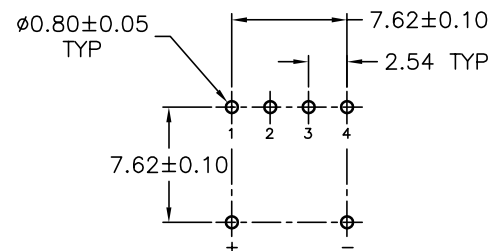
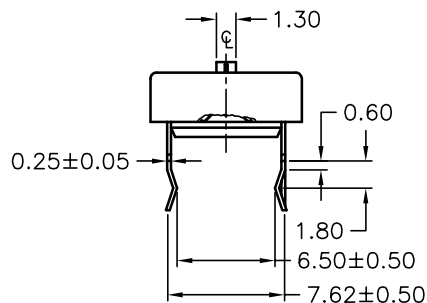
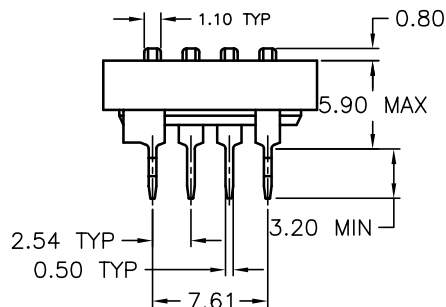
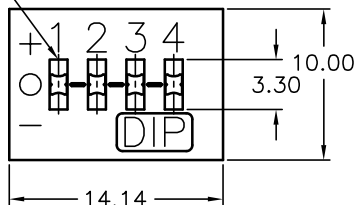
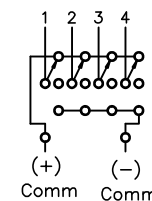


POS. 1 DESIGNATE
PIN #1 LOCATION



RECOMMENDED PCB LAYOUT



CONTACT CONFIGURATION
POS. 1 DENOTES PIN #1

NOTES:

1. ALL DIMENSIONS IN MM
2. GENERAL TOLERANCE: 0.0 ± 0.4
 0.00 ± 0.25
3. TERM. NOS. FOR REF. ONLY
4. SWITCHES SUPPLIED IN DESPENSING TUBES
PACKAGE WITH ALL POLES IN
THE "OFF" POSITION- 19 SWITCHES/TUBE
5. CONTACT RATING: 25mA @24V DC
6. OPERATING LIFE: 2,000 make-and-break cycles
7. OPERATING FORCE: 1000gf max.
8. TRAVEL: 2.0mm typical
9. DIELECTRIC STRENGTH: 500V RMS min @seal level
between adj. term.
10. TEMP. RANGE: -40C to 85C

E-SWITCH®

TITLE *KAT1104E (4 Pos. DIP Switch)
Package in Tubes*

A	13577	RELEASED FOR PRODUCTION	11/5/03	AR
REV.	ECN No.	DESCRIPTION	DATE	CHKD

THE INFORMATION CONTAINED IN THIS DOCUMENT
IS PROPRIETARY TO E-SWITCH AND IS
NOT TO BE COPIED OR TRANSFERRED

SCALE	3:1	DATE	11/5/03	DR	AR	DWG	N711040	REV	A
-------	-----	------	---------	----	----	-----	---------	-----	---