

## Test plugs - PS-UK 2,5 B/Z-6 - 3001239

Please be informed that the data shown in this PDF Document is generated from our Online Catalog. Please find the complete data in the user's documentation. Our General Terms of Use for Downloads are valid (<http://phoenixcontact.com/download>)




Test plugs, color: red

### Why buy this product

- The test plug reliably makes contact in the bridge shaft and in all test sockets with a 2.3 mm or 4 mm diameter
- Individual test adapters can be combined using the modular PS-...2,3MM test plug.

### Key Commercial Data

Packing unit	1 STK
GTIN	 4 017918 089856
GTIN	4017918089856

### Technical data

#### Dimensions

Length	19.6 mm
Width	5 mm
Pitch	6.2 mm
Pin diameter	6.5 mm

#### General

Color	red
Material	PA
Ambient temperature (operation)	-40 °C ... 115 °C

#### Standards and Regulations

Flammability rating according to UL 94	V2
----------------------------------------	----

#### Environmental Product Compliance

REACH SVHC	Lead 7439-92-1
------------	----------------

# Test plugs - PS-UK 2,5 B/Z-6 - 3001239

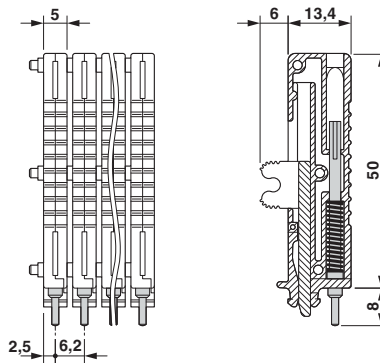
## Technical data

### Environmental Product Compliance

China RoHS	Environmentally friendly use period: unlimited = EFUP-e
	No hazardous substances above threshold values

## Drawings

Dimensional drawing



## Approvals

Approvals

Approvals

EAC

Ex Approvals

### Approval details

EAC		EAC-Zulassung
-----	--	---------------

Phoenix Contact 2018 © - all rights reserved  
<http://www.phoenixcontact.com>

PHOENIX CONTACT GmbH & Co. KG  
Flachsmarktstr. 8  
32825 Blomberg  
Germany  
Tel. +49 5235 300  
Fax +49 5235 3 41200  
<http://www.phoenixcontact.com>