

FCI CONFIDENTIAL



This document is the property of and embodies CONFIDENTIAL and PROPRIETARY information of FCI. No part of the information shown on this document may be used in any way or disclosed to others without the written consent of FCI.
Copyright FCI

PRODUCT NO.	RESIST	FRAME COLOR
62197-001	YES (STYLE 1)	BLACK
62197-011	YES (STYLE 1)	PASTEL TURQUOISE
62197-003	YES (STYLE 2)	BLACK

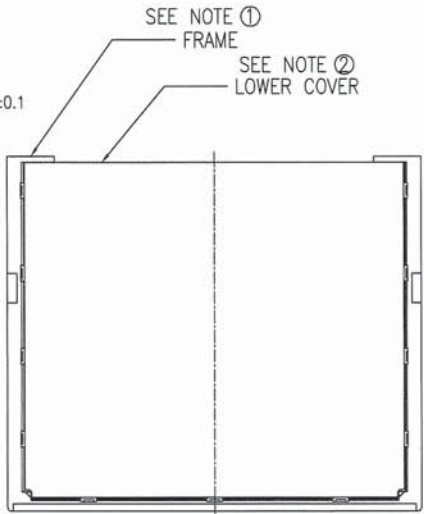
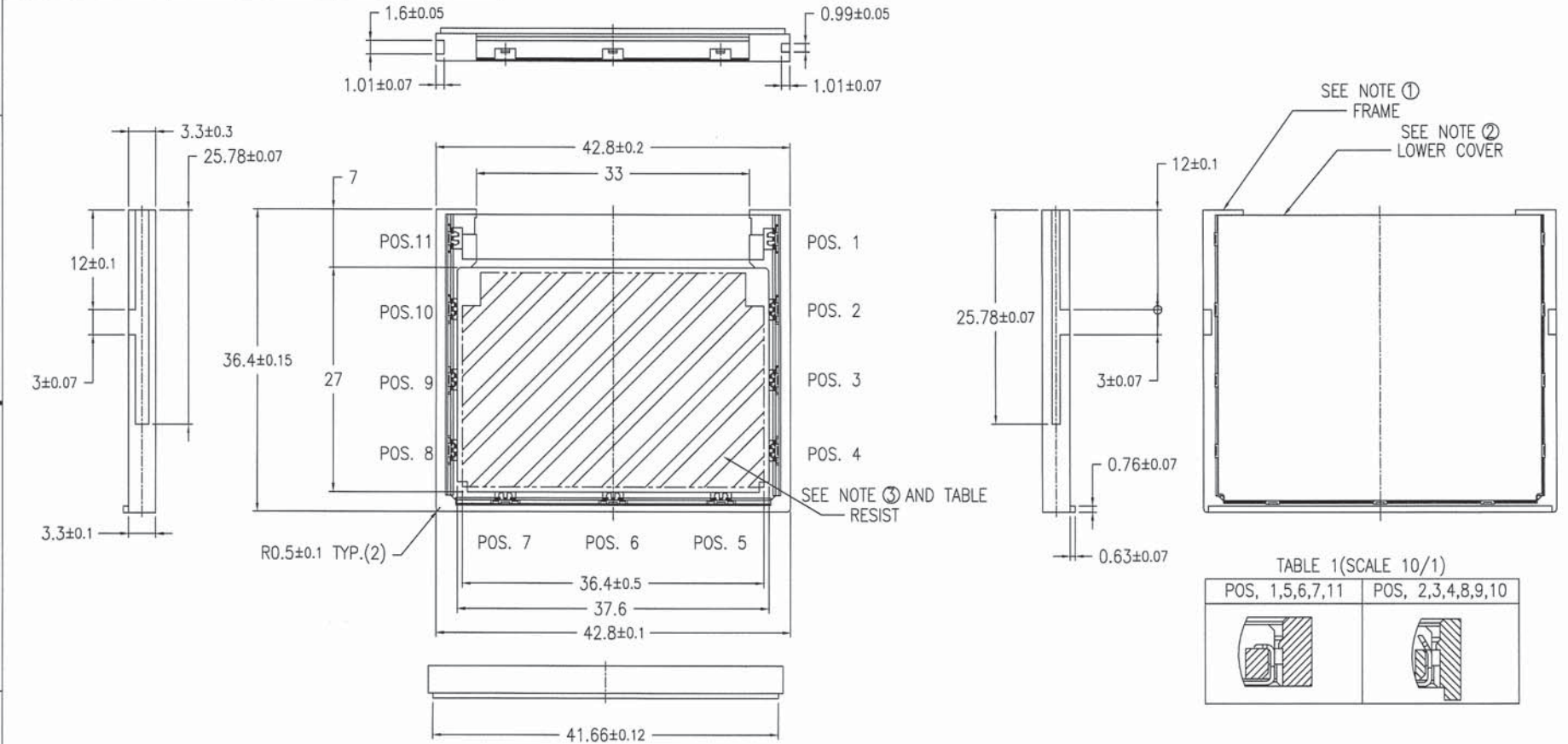


TABLE 1(SCALE 10/1)

POS. 1,5,6,7,11	POS. 2,3,4,8,9,10

NOTE
 ① FRAME MAT'L : PBT G 30%, UL 94V-0
 ② LOWER COVER MAT'L : SUS304 CPS 1/2H, t=0.2mm
 ③ RESIST : PRINTED MATTER, GREEN, t=0.02mm
 4. STORAGE TEMPERATURE : -20~60°C
 5. COVER SHALL BE MATED WITH FRAME AS SHOWN IN TABLE 1.

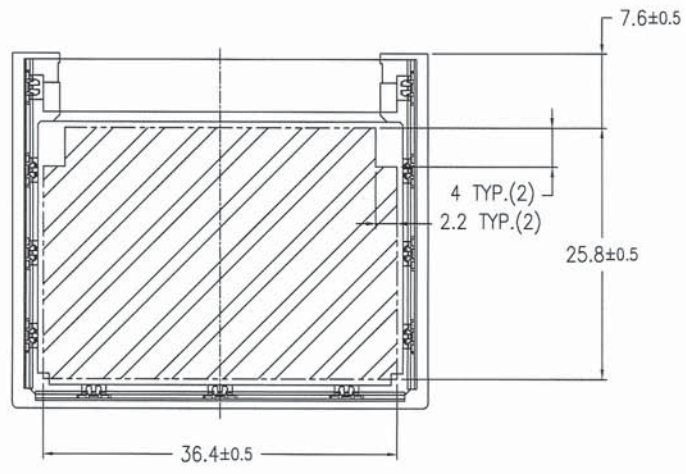
mat'l. code		surface		tolerance		projection		product family		CODE
SEE_NOTE		ISO 1302 ✓		ISO 406 ISO 1101		mm		5B0F - CARD SHIELDS		JP
1	SKETCHED	ecn no	dr	date	angles	linear	0.X	title		
2	REVISED		HS	12/22/97			±0.3	COMPACT FLASH SEMI-ASSY		
A	RELEASED	J80211	HS	4/14/98	0'±2'		0.XXX	scale 2:1		
B	REVISED	J80319	HS	8/18/98				dwg no		sheet 1 of 2 size
C	REVISED	J00645	HS	8/ 1/00				62197		A3
D	ADDED NEW P/N	J20634	HS	12/ 9/02				type		Product Customer Drawing
E	REVISED	J07-0045	RS	1/25/07				Rev.		E
sheet	revision	E	D							
index	sheet	1	2							

FCI CONFIDENTIAL

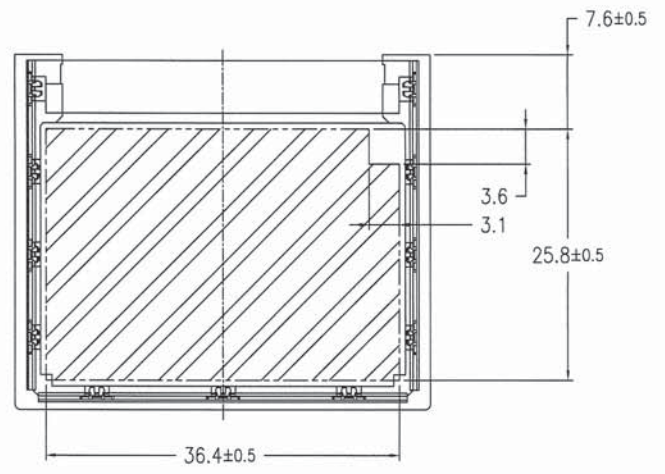


This document is the property of and embodies CONFIDENTIAL and PROPRIETARY information of FCI. No part of the information shown hereon may be used, copied, or disclosed to others without the written consent of FCI. Copyright FCI.

PRODUCT NO.	RESIST	FRAME COLOR
62197-001	YES (STYLE 1)	BLACK
62197-011	YES (STYLE 1)	PASTEL TURQUOISE
62197-003	YES (STYLE 2)	BLACK



STYLE 1



STYLE 2

mat'l. code SEE_NOTE				surface ISO 1302	tolerance ISO 406 ISO 1101	projection 	product family 580F - CARD SHIELDS	CODE JP
ltr	description	ecn no	dr	date	tolerances unless otherwise specified	mm	title COMPACT FLASH SEMI-ASSY	
A	REVISED	J80319	HS	8/18/98	0.X	scale 2:1	dwg no	
B	REVISED	J00645	HS	8/ 1/00	linear 0.XX ±0.3		sheet 2 of 2 size	
C	ADDED NEW P/N	J20634	HS	12/ 9/02	0.XXX		62197	
D	REVISED	J07-0045	RS	1/25/07			A3	
				dr	<i>R. Shroyer</i> 1/29/07		type	
				enr	<i>R. Shroyer</i> 1/29/07		Product Customer Drawing	
				chr	<i>J. L. ...</i> 1/20/07		Rev.	
				appd	<i>S. Molan...</i> 1/20/07		D	
sheet index	revision sheet							