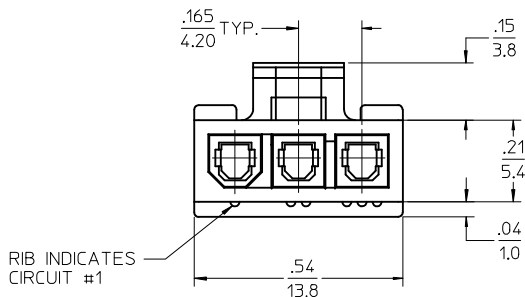
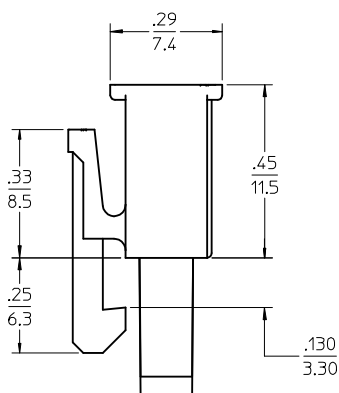
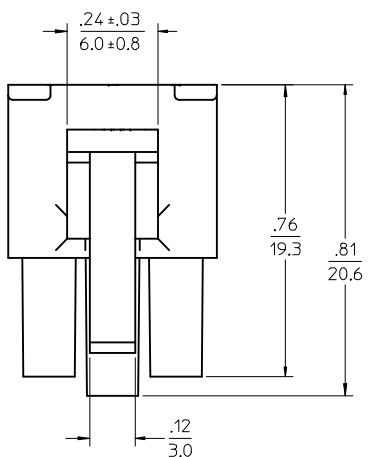
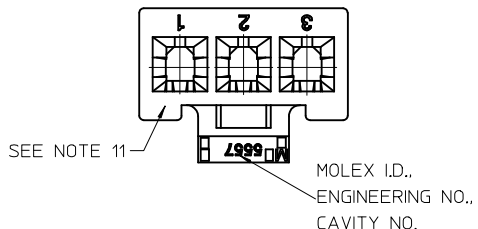
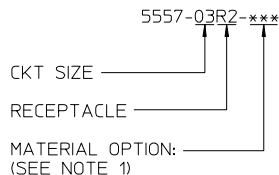


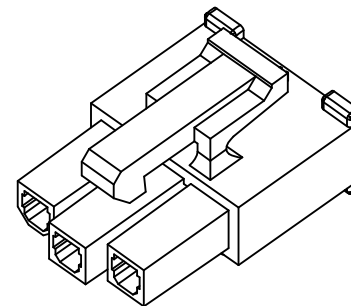
PART NO.	ENG. NO.	CKT SIZE	MATERIAL (SEE NOTE 1)
39-01-4030	5557-03R2	3	UL 94V-2
39-01-4031	5557-03R2-210	3	UL 94V-0
39-01-5039	5557-03R2-BL	3	UL 94V-2, BLACK
46999-0287	5557-03R2-400	3	UL 94V-0, BLACK

LEGEND



NOTES:

- MATERIAL:  
"BLANK"=NYLON 6/6, UL94V-2, LOW HALOGEN, COLOR: NATURAL  
"210"=NYLON 6/6, UL94V-0, LOW HALOGEN, COLOR: NATURAL  
"BL"=NYLON 6/6, UL94V-2, LOW HALOGEN, COLOR: BLACK  
"400"=NYLON 6/6, UL94V-0, LOW HALOGEN, COLOR: BLACK
- FINISH: NOT APPLICABLE
- PRODUCT SPECIFICATION: PS-5556-001
- PACKAGING: PK-5557-002
- PART MATES WITH MOLEX RIGHT ANGLE HEADER #5569-03A\*, VERTICAL HEADER #5566-03A3\* AND PLUG #5559-03P\*.
- PART TO BE USED WITH MOLEX FEMALE TERMINAL #5556.
- WHEN MATING WITH ANOTHER CONNECTOR, THE CENTER CIRCUIT WILL "MAKE FIRST AND BREAK LAST".
- PART IS NOT DESIGNED FOR CURRENT SHARING.
- CONNECTOR ASSEMBLIES ARE NOT TO BE MATED OR UNMATED WHILE CIRCUITS ARE LIVE.
- WIRES ARE TO BE DRESSED IN SUCH A MANNER TO ALLOW THE TERMINALS TO FLOAT FREELY IN THE POCKET.
- "MX" TRADEMARK MAY BE LOCATED ON LATCH OR SURFACE INDICATED. CAVITY NO. MAY BE LOCATED ON EITHER SIDE OF ENGINEERING NO. ON LATCH.
- PART CONFORMS TO CLASS "B" REQUIREMENTS OF COSMETIC SPECIFICATION PS-45499-002.



ADD LOW HALOGEN EC NO: UCP2013-1411 DRWN:BBEE CHKD:JBELL APPR:FSMITH 2012/10/10 2012/10/10 2012/10/12	QUALITY SYMBOLS ∇=0 ∇=0 ∇=0	GENERAL TOLERANCES (UNLESS SPECIFIED)		DIMENSION STYLE <b>IN/MM</b>	SCALE <b>4:1</b>	DESIGN UNITS <b>METRIC</b>	THIRD ANGLE PROJECTION		
		4 PLACES ± --- ± --- 3 PLACES ± --- ± .010 2 PLACES ± 0.25 ± .015 1 PLACE ± 0.38 ± ---	mm INCH	DRAWN BY GEP	DATE 1990/10/02	TITLE <b>3 CIRCUIT RECEPTACLE, (MINI-FIT JR.) (MAKE-FIRST/BREAK-LAST)</b>			
		ANGULAR ± 1/2°		CHECKED BY RJF	DATE 1990/10/02	MOLEX INCORPORATED			
		DRAFT WHERE APPLICABLE MUST REMAIN WITHIN DIMENSIONS		APPROVED BY RAS	DATE 1990/10/02	MATERIAL NO. <b>SEE CHART</b>		DOCUMENT NO. <b>SD-5557-03R2*</b>	SHEET NO. <b>1 OF 1</b>
G2	REV	THIS DRAWING CONTAINS INFORMATION THAT IS PROPRIETARY TO MOLEX INCORPORATED AND SHOULD NOT BE USED WITHOUT WRITTEN PERMISSION							