

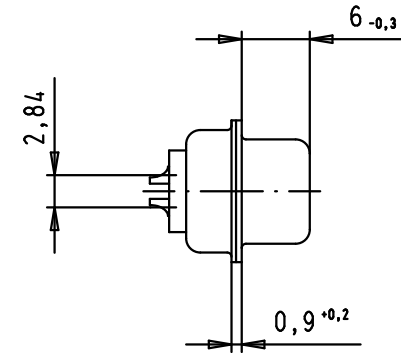
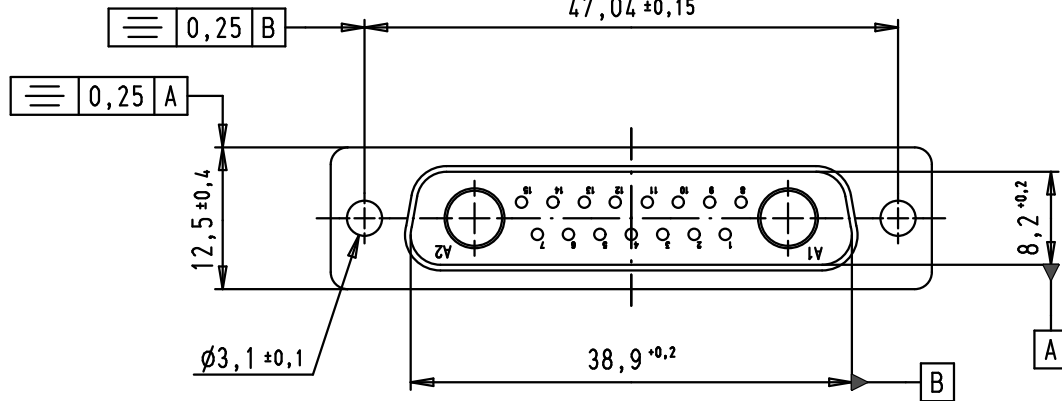
5

4

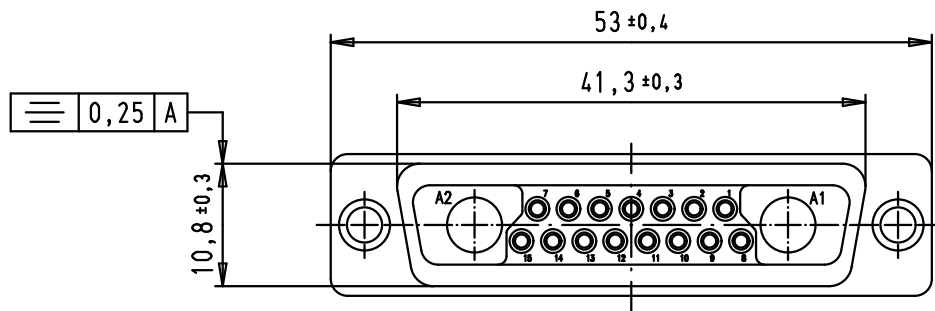
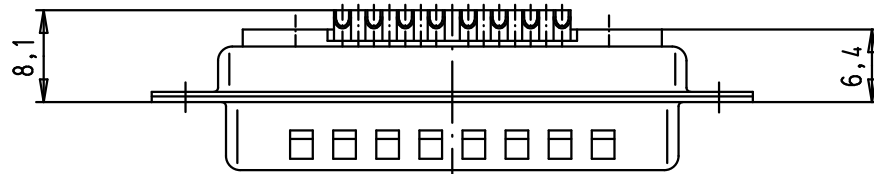
3



2

1



Solder bucket termination for AWG 20



					Det.	Name	 All Dim. in mm Orig. Size DIN A 4	D-Sub, 17W2, male, straight, solder buckets, tin plated shell with dimples	Maßstab/ Scale 1,5:1	
				Detail.	26/07/07	PK				
				Insp.						
				Stand.						
								TB 09 69 311 x172	Blatt/ Page 1 / 1	
09 69 311 7172	PL3			34390	26/07/07	PK				HARTING EURL F-95972 Paris
09 69 311 5172	S4			Mod.	Det.	Name				
Part number		Performance level					Sub.			

09 69 311 7172	PL3
09 69 311 5172	S4
Part number	Performance level

D

C

B

A