

PLUGSERIES

PRS 230Vac LD 2CO

Weidmüller Interface GmbH & Co. KG
 Klingenbergstraße 16
 D-32758 Detmold
 Germany
 Fon: +49 5231 14-0
 Fax: +49 5231 14-292083
 www.weidmueller.com



High power/currents can be safely switched with the PLUGSERIES. The modular system enables conventional relays and LED indicators simply to be plugged in. Retaining and disassembly clips provide a secure mount. Pre-assembled relays with 1 or 2 changeover contacts and input voltages from 24V to 230V round of the product range. Plug-in ZQV 2.5 cross-connectors enable relay multiplexers to be set up quickly thanks to simple side-by-side mounting.

General ordering data

Order No.	8530681001
Type	PRS 230Vac LD 2CO
Version	PLUGSERIES, Relays, No. of contacts: 2, CO contact, AgNi 90/10, Rated control voltage: 230 V AC $\pm 10\%$, Continuous current: 8 A, Screw connection
GTIN (EAN)	4032248216338
Qty.	10 pc(s).

PLUGSERIES
PRS 230Vac LD 2CO

Weidmüller Interface GmbH & Co. KG
 Klingenbergstraße 16
 D-32758 Detmold
 Germany
 Fon: +49 5231 14-0
 Fax: +49 5231 14-292083
 www.weidmueller.com

Technical data
Ratings

Conductor connection system	Screw connection	Humidity	40 °C / 93 % rel. humidity, no condensation
UL 94 flammability rating	V-0	Relay type	SIEMENS RT 2
Wire cross-section, solid, max.	2.5 mm ²		

Dimensions and weights

Width	15.3 mm	Height	92 mm
Depth	95 mm	Net weight	66.4 g

Temperatures

Operating temperature	-40 °C...+50 °C	Storage temperature	-40 °C...+85 °C
-----------------------	-----------------	---------------------	-----------------

Connection data

Clamping range, rated connection	2.5 mm ²	Clamping range, rated connection, min.	0.5 mm ²
Clamping range, rated connection, max.	2.5 mm ²	Tightening torque, max.	0.7 Nm
Stripping length, rated connection	8 mm	Wire connection cross section, finely stranded, max.	2.5 mm ²

Input

Rated control voltage	230 V AC ±10 %	Rated current AC	4.2 mA
Coil resistance	32,500 Ω ±15 %	Power rating	0.75 VA
Response / drop-out voltage AC coil	172.5 V / 34.5 V	Status indicator	Green LED

Output

Rated switching voltage	250 V AC	Max. switching voltage, AC	400 V
Continuous current	8 A	making current	15 A / 4 s
Max. switching power	2000 VA	Response time	8 ms / 6 ms
Min. switching power	100 mA / 5 V, 10 V / 10 mA, 24 V / 1 mA	Max. switching frequency at rated load	0.1 Hz

Contact specifications

No. of contacts	2	Contact design	CO contact
Contact material	AgNi 90/10	Mechanical service life	5 x 10 ⁶ switching cycles

Insulation coordination

Rated voltage	300 V AC _{eff}	Clearance and creepage distances for control side - load side	> 8 mm
Impulse withstand voltage	6 kV (1.2/50 μs)	Protection degree	IP 20
Pollution severity	2	Surge voltage category	III

Other technical data

Version	Relay coupler	Status indicator	Green LED
Free-wheel diode	No	Reverse polarity protection	No

Further details of approvals / standards

Standards	DIN EN 50178
-----------	--------------

Creation date March 8, 2013 11:33:07 PM CET

**PLUGSERIES
PRS 230Vac LD 2CO**

Weidmüller Interface GmbH & Co. KG
Klingenbergstraße 16
D-32758 Detmold
Germany
Fon: +49 5231 14-0
Fax: +49 5231 14-292083
www.weidmueller.com

Technical data**Classifications**

ETIM 2.0	EC001437	ETIM 3.0	EC001437
UNSPSC	30-21-19-17	eClass 4.1	40-02-06-14
eClass 5.1	27-37-16-01	eClass 6.0	27-37-16-01
eClass 7.0	27-37-16-01		

Approvals

Approvals

**Downloads**

Declaration of Conformity [K217_09_09.pdf](#)
[3-D model](#)

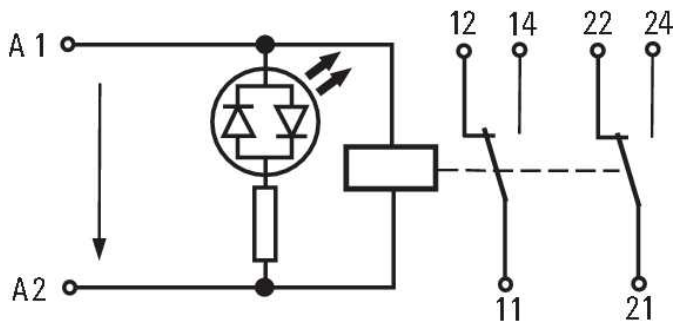
PLUGSERIES
PRS 230Vac LD 2CO

Weidmüller Interface GmbH & Co. KG
Klingenbergstraße 16
D-32758 Detmold
Germany
Fon: +49 5231 14-0
Fax: +49 5231 14-292083
www.weidmueller.com

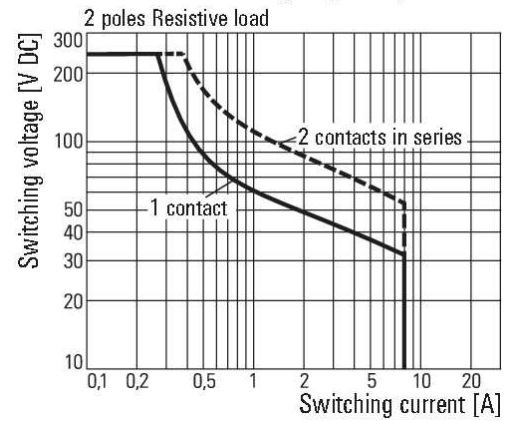
Drawings

Electric symbol

AC-Version



DC load breaking capacity



Electrical endurance

