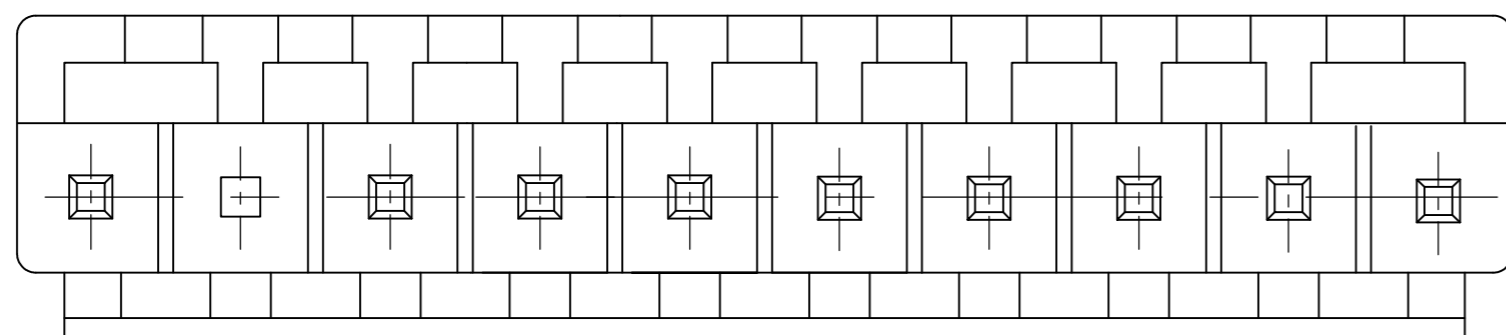
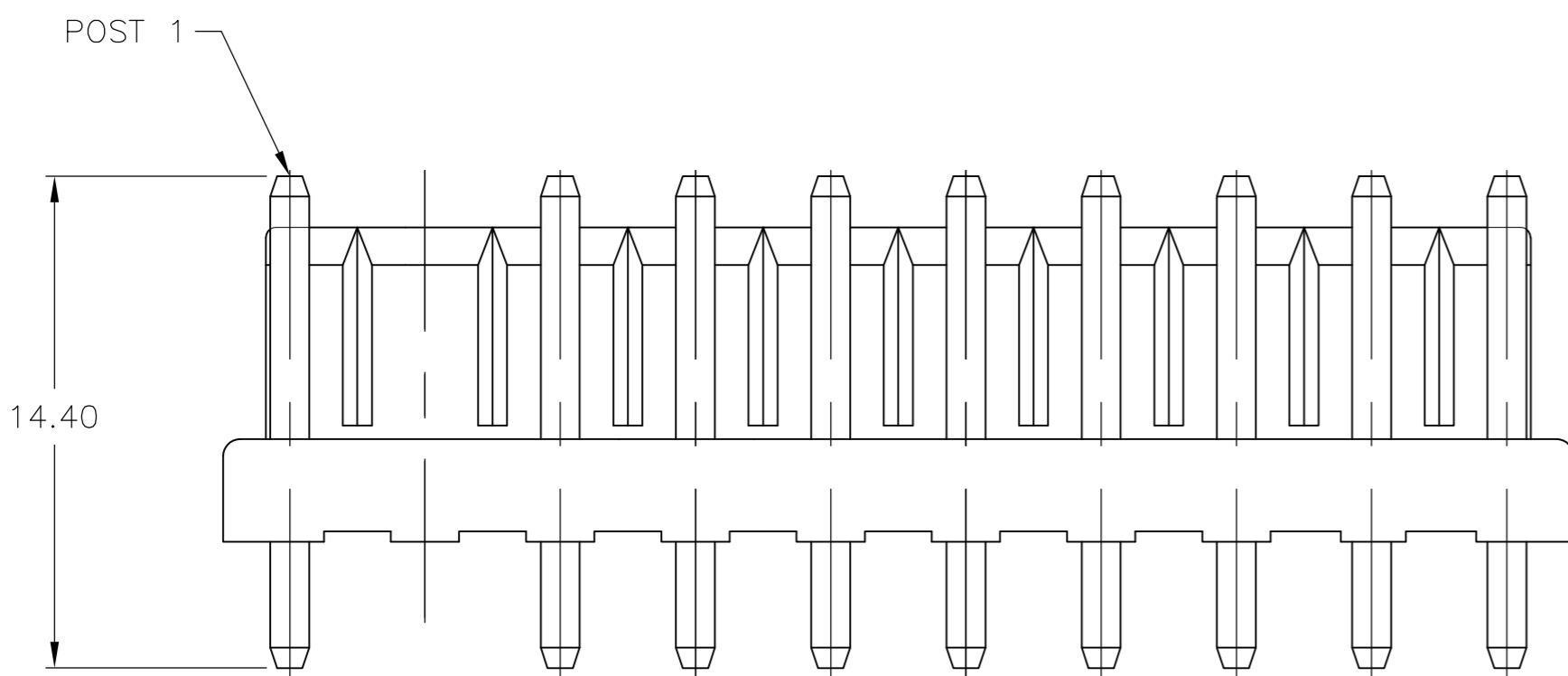
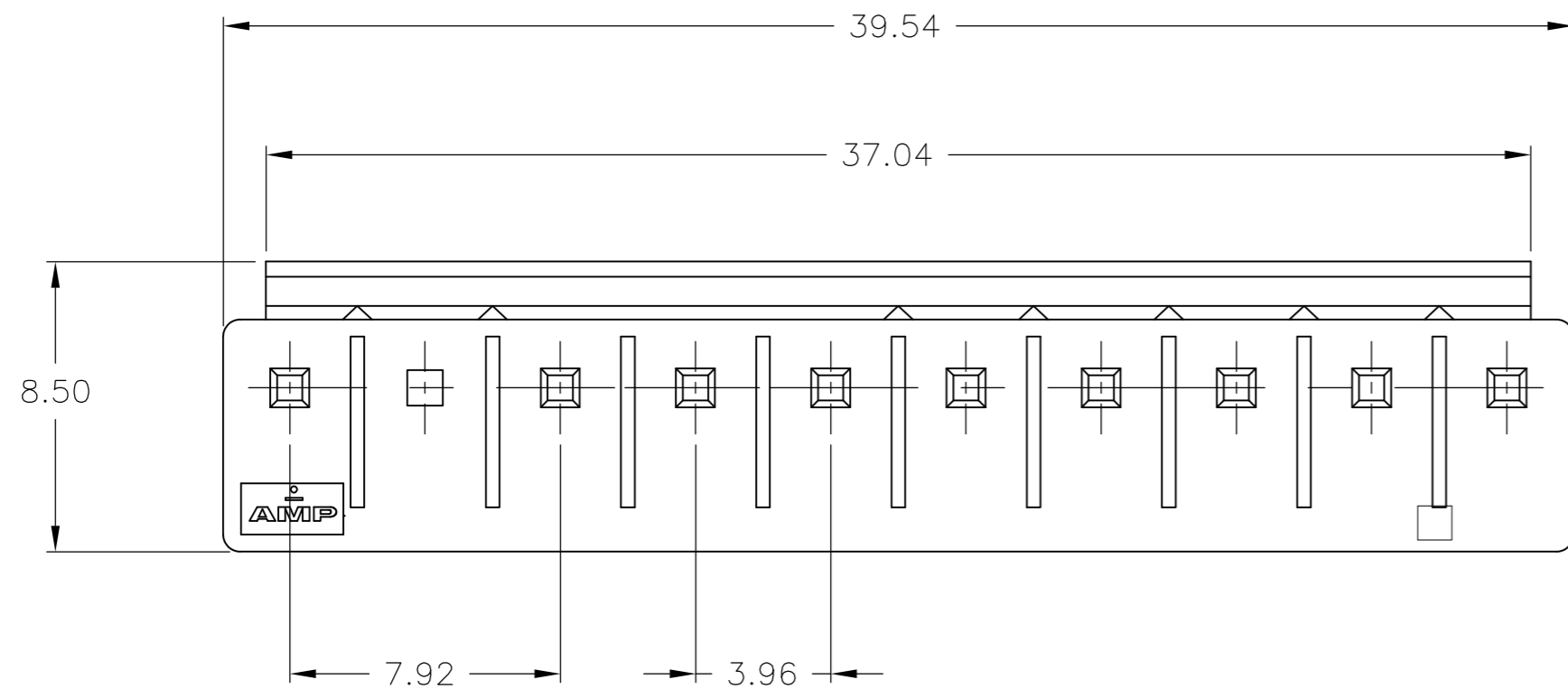
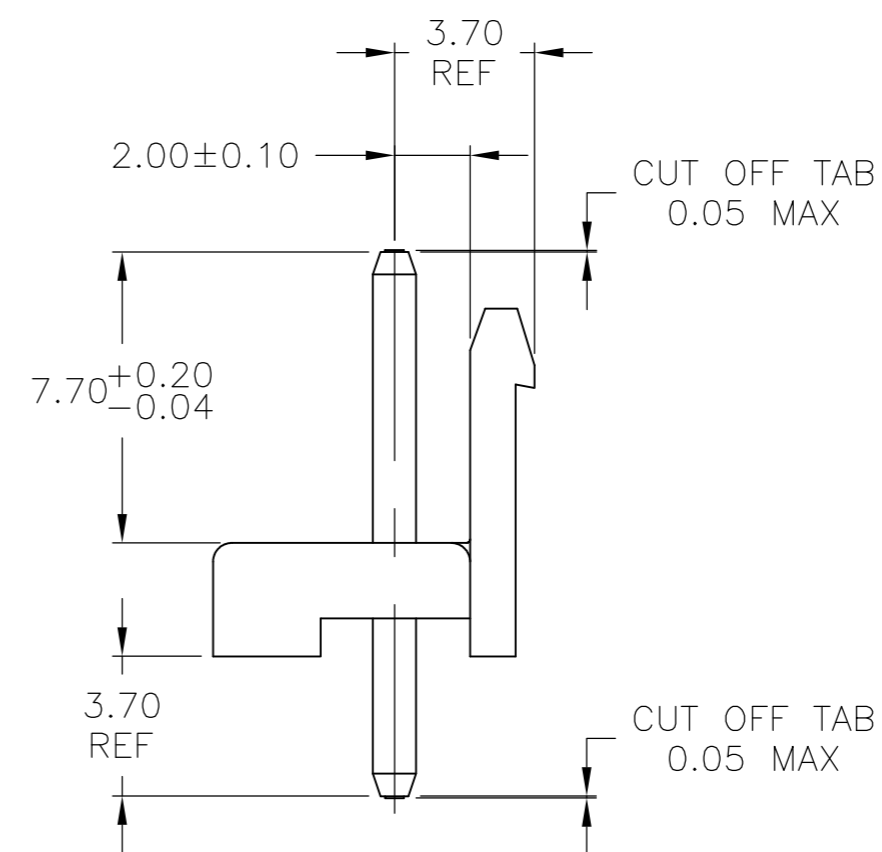


THIS DRAWING IS UNPUBLISHED. RELEASED FOR PUBLICATION
 © COPYRIGHT - By - ALL RIGHTS RESERVED.

LOC		DIST		REVISIONS			
P	LTR	DESCRIPTION		DATE	DWN	APVD	
GP	00	A1	REVISED PER ECR-13-005286		12APR2013	KH	TM



1 MATERIAL: HOUSING- PBT,
 POST- BRASS, 0.001[.000039] MIN TIN OVER
 0.0008[.000031] MIN NICKEL.



NATURAL	2	10	1744110-2
HOUSING COLOR	OMITTED POST NUMBER	NO. OF POSITIONS	ASSEMBLY PART NO.

THIS DRAWING IS A CONTROLLED DOCUMENT.		DWN KIRAN HOLAL 12DEC12	TE Connectivity	
DIMENSIONS: mm	TOLERANCES UNLESS OTHERWISE SPECIFIED:	CHK MICHELUTTI THOMAS 12DEC12	NAME	
	0 PLC ± -	APVD MICHELUTTI THOMAS 12DEC12	PRODUCT SPEC	
	1 PLC ± -	APPLICATION SPEC	-	
	2 PLC ± 0.64	WEIGHT	-	
	3 PLC ± -	CUSTOMER DRAWING	-	
MATERIAL	FINISH	SIZE A2	CAGE CODE 00779	DRAWING NO C=1744110
		SCALE 5:1	SHEET 1 of 1	REV A1

1744110