

THIS DRAWING IS UNPUBLISHED.

RELEASED FOR PUBLICATION

© COPYRIGHT

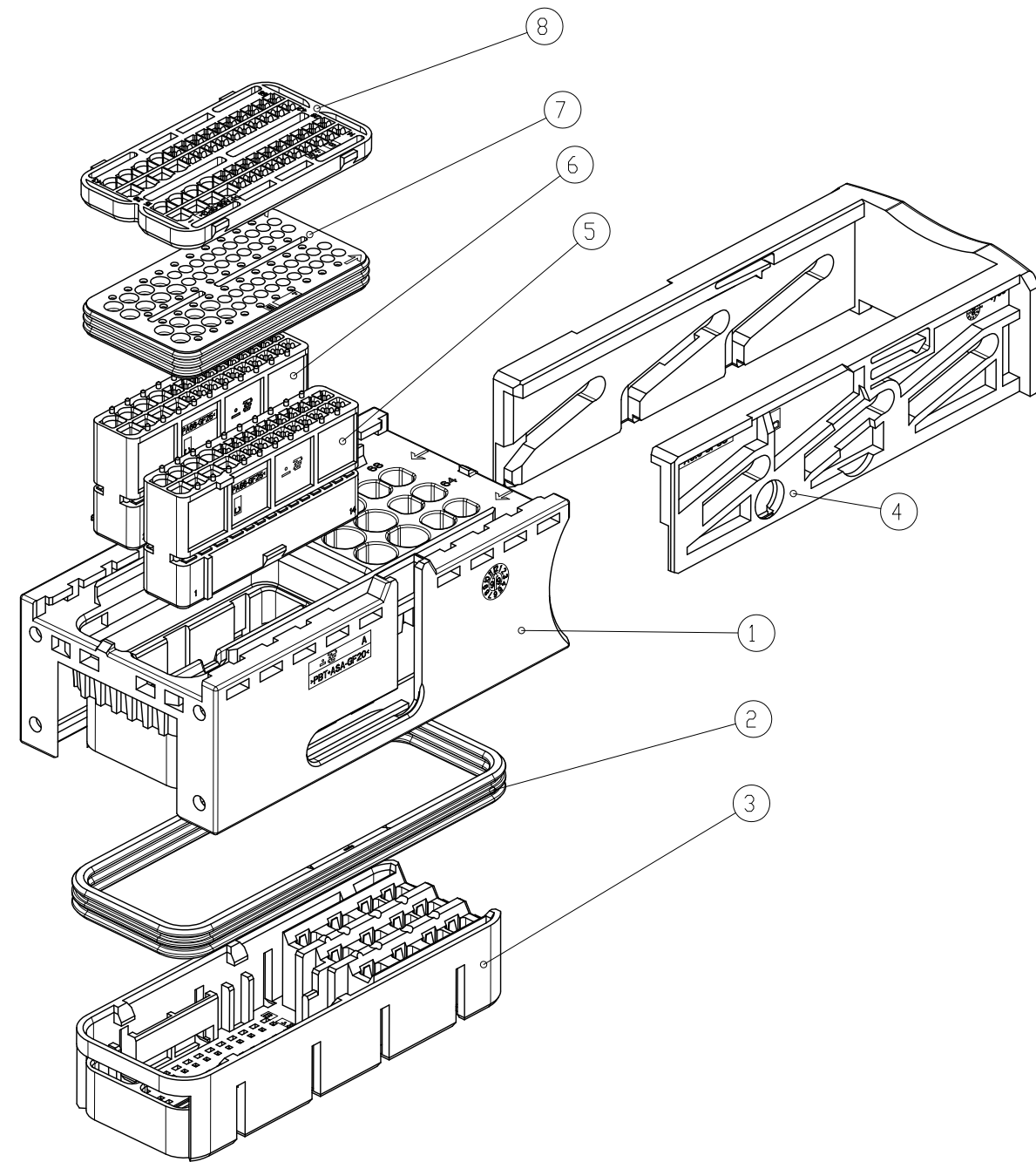
ALL RIGHTS RESERVED.

LOC DS

DIST

REVISIONS

P	LTR	DESCRIPTION	DATE	DWN	APVD
	B	REVISED (ECR-11-023807)	28.DEC.'11	YH	HG
	C	REVISED (ECR-12-010482)	05.APR.'12	YH	HG
	C1	REVISED (ECR-13-006743)	22.APR.'13	YH	HG

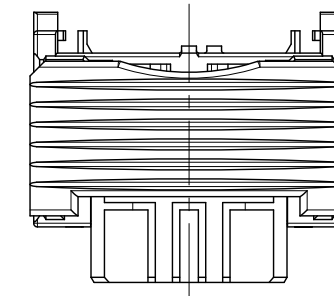
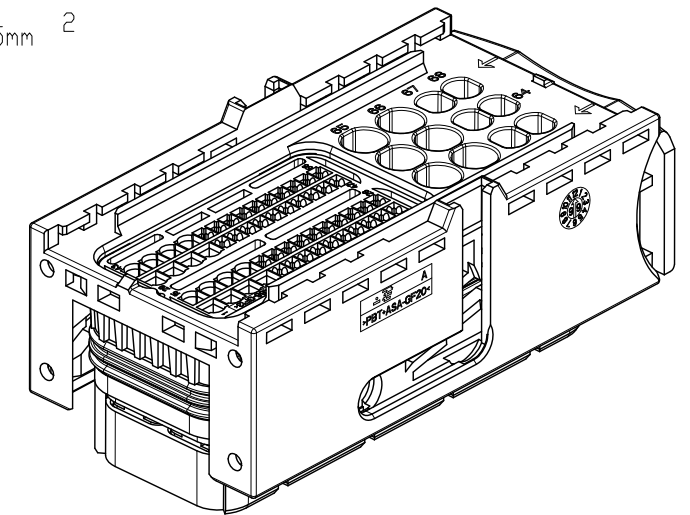
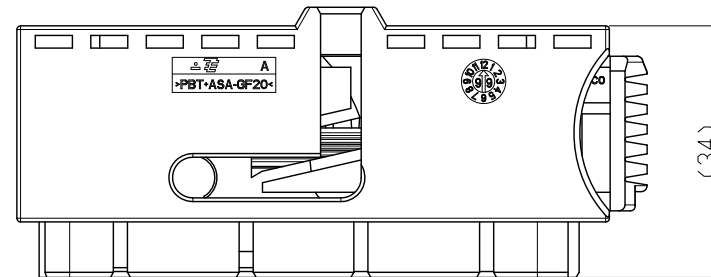
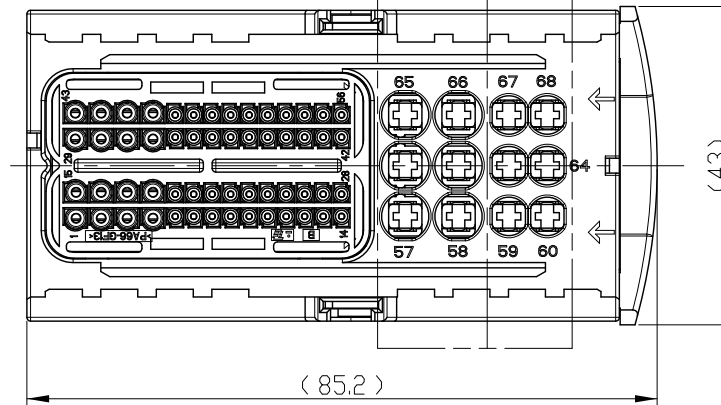


(C1) WIRE SIZE RANGE 2.0~3.0mm<sup>2</sup>  
(INSULATION 2.6~3.7mm)

MCP 2.8 TERMINAL(6X) IN THIS AREA

(C1) WIRE SIZE RANGE 0.5~2.5mm<sup>2</sup>  
(INSULATION 1.4~3.0mm)

MCP 2.8 TERMINAL(6X) IN THIS AREA



Notes

- 1. SUITABLE RETAINERS: 2005215, 2005216
- 2. SUITABLE CONTACTS : SEE TABLE

CONTACT NAME	WIRE SIZE RANGE (mm <sup>2</sup> )	DIAMETER OF INSULATION (mm)	TERMINAL PART NUMBER	SING WIRE SEAL	CAVITY PLUG	USED CIRCUIT NO.
MQS	0.35~0.5	∅1.4~∅1.6	968220(2005119)	N/A	1897421-2	ALL OF 0.63TAB
	0.5~0.75	∅1.6~∅1.9	968221(2005120)	N/A		
MQS 1.5	0.5	∅1.6~∅1.7	(C1) 1452158	N/A	1897422-1	ALL OF 1.5TAB
	0.75~1.5	∅1.7~∅2.4	1241608	N/A		
MCP 2.8	0.5~1.0	∅1.4~∅2.1	968855	828904-1	828922-1	59,60,63,64 67,68
	1.5~2.5	∅2.2~∅3.0	968857	828905-1		
	2.0~2.5	∅2.6~∅3.1	(C1) 968857	828985-1		
3.0	∅3.0~∅3.7	968859	828986-1		57,58,61,62 65,66	

(C)	NO	FINISH/COLOR	MATERIAL	DESCRIPTION	QTY
(C)	8	BLACK	PA66-GF13	SEAL HOLDER HSG	1
(B)	7	RED-BROWN	SILICONE	FAMILY SEAL	1
	6	BROWN	PA66-GF13	REC. HSG COD. B	1
(C)	5	BLACK	PA66-GF13	REC. HSG COD. A	1
	4	BLACK	PA66-GF30	SLIDE	1
	3	BLACK	PBT+ASA-GF20	CAVITY BLOCK	1
	2	NATURAL	SILICONE	SEALING	1
(C)	1	BLACK	PBT+ASA-GF20	CARRIER HOUSING	1

ASS'Y P/N  
2005210-2

THIS DRAWING IS A CONTROLLED DOCUMENT.		DWN YH MA		TE Connectivity	
DIMENSIONS: mm		CHK KT LIM			
TOLERANCES UNLESS OTHERWISE SPECIFIED:		APVD HG CHD		NAME	
1 PLC ± DECIMALS: ±0.5 2 PLC ± ANGLES: ±3° 3 PLC ± 4 PLC ANGLES ±		PRODUCT SPEC		MQS/1.5mm/2.8mm TCU 68P PLUG ASS'Y	
3rd ANGLE PROJECTION		APPLICATION SPEC		SIZE	
MATERIAL		WEIGHT		CAGE CODE	
FINISH		CUSTOMER DRAWING		DRAWING NO	
		SCALE 1:1		RESTRICTED TO	
		SHEET 1 OF 1		REV C1	