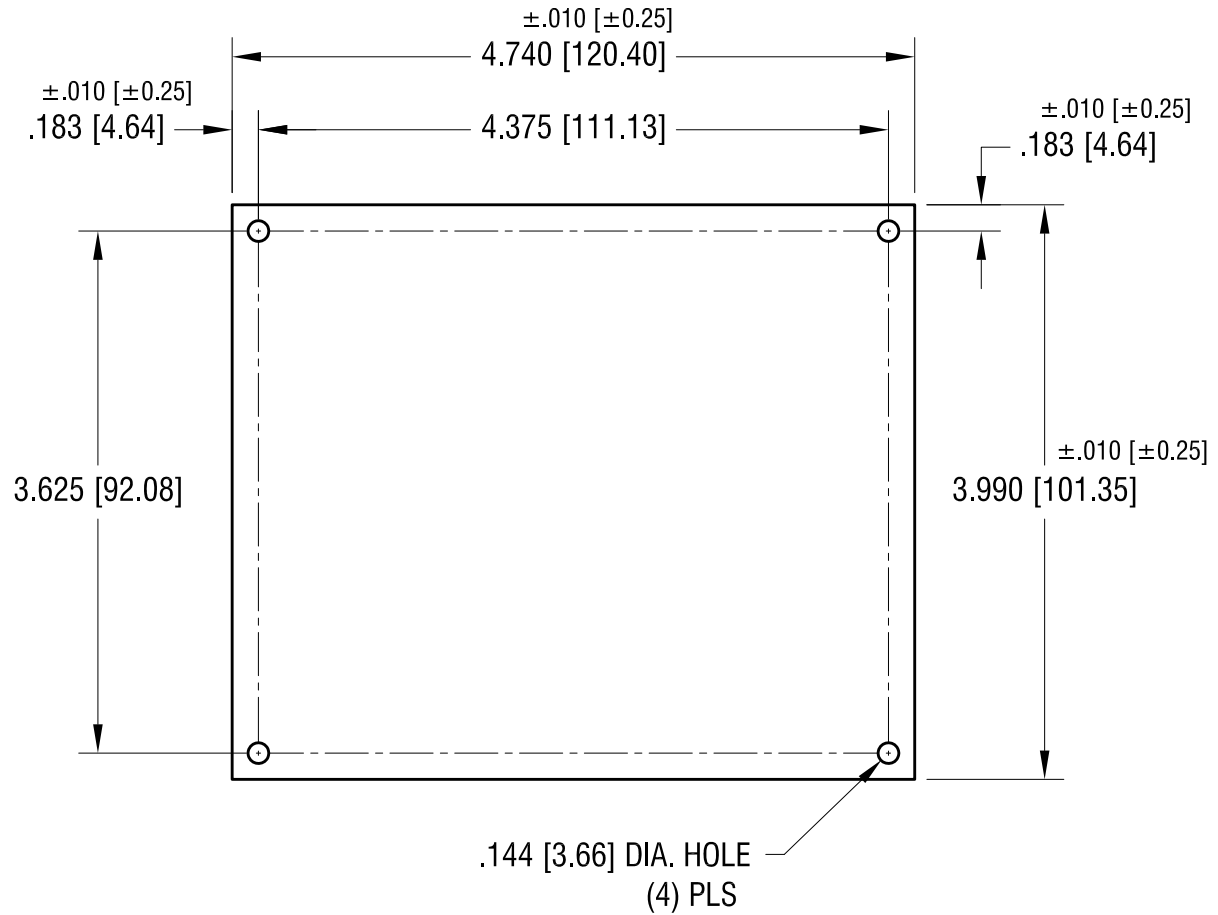


THIS DOCUMENT IS THE PROPERTY OF
KEYSTONE ELECTRONICS CORP. AND
SHALL NOT BE REPRODUCED, DISTRIBUTED
OR USED AS A BASIS FOR MANUFACTURE
WITHOUT PRIOR WRITTEN PERMISSION
FROM KEYSTONE ELECTRONICS CORP.



KEYSTONE ELECTRONICS CORP.			
www.keyelco.com • ASTORIA, N.Y. 11105-2017 • Tel (718) 956-8900			
PART NAME		PANEL	
MATERIAL		.093 [2.36] TH'K BLACK PHENOLIC	
FINISH	-	DRN BY	BOONE
		DATE	1.28.98
		APP'D	LN
		SCALE	.75X
TOLERANCES	INCH [MM]	CODE	DWG NO.
DECIMAL	$\pm .005$ [± 0.13]	C	2052
ANGULAR	$\pm 1^\circ$	UNLESS OTHERWISE SPECIFIED	

DATE	DESCRIPTION	REV.