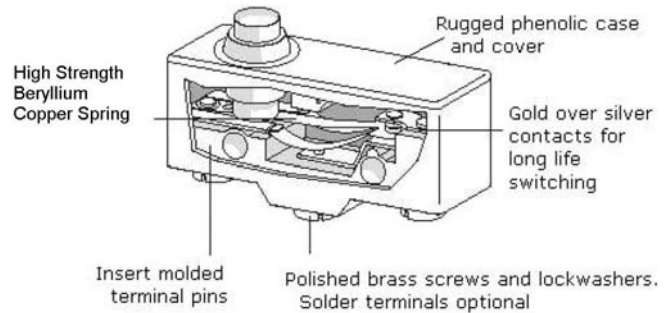


General Purpose Snap Action Switch GP Series



Features

- Ultra-small travel differential
- Mechanical life tested to over 20 million cycles
- Current rating up to 20 amps
- Wide variety of actuators
- Screw or solder terminals available
- VDE standard on 15A switches with screw terminals

| Electrical Ratings | | |
|----------------------|--------------|--|
| Switch Series | UL508 | VDE Approval to EN60947 |
| GP*B | 20A 250VAC | N/A |
| GP*C | 15A 250VAC | 15A 250VAC (Note: Only screw terminals have VDE approval) |

| Technical Specifications | | Material Specifications | |
|-----------------------------------|---|-------------------------|--|
| Temperature Rating: | 0°C + 55°C Max UL - 5°C to + 40°C VDE | Case / Cover | Phenolic |
| Dielectric Strength | 1000 VAC 50/60 Hz for 1 minute | Spring | Beryllium Copper |
| Insulation Resistance | 100M ohms min at 500 VDC | Contacts: | Silver Alloy |
| Initial Contact Resistance | 15m ohms max | Terminals: | Screw Terminals: Brass Solder Terminals: Copper Alloy |
| | | Contacts: | Silver Alloy |
| Mounting: | US Holes: #6-32 Fastener with 6.0 In-Lb Max Torque Metric Holes: M4 Fastener with 6.0 In-Lb Max Torque | | |
| UL File Number: | E184788 | Lever Actuator: | Nickel Plated Steel |

RoHS Compliant


Specifications subject to change without notice



VDE for 15 amp
with screw
terminals only



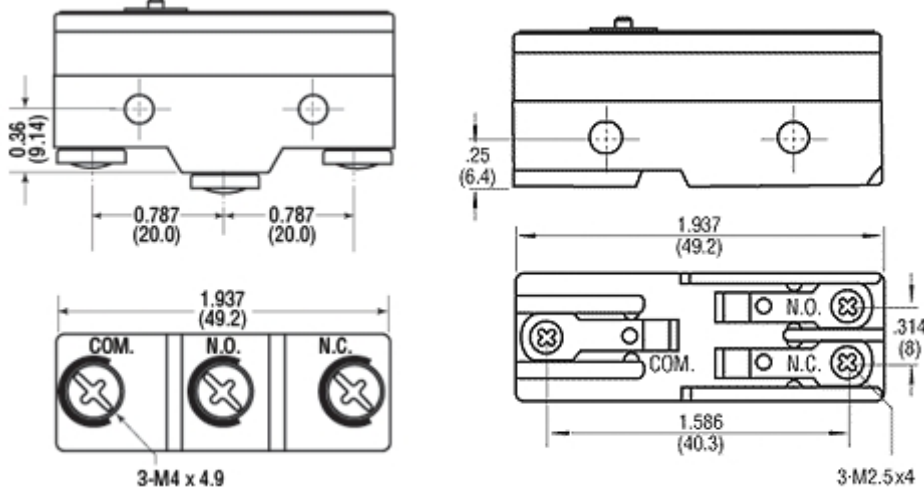
PLEASE NOTE
CHERRY
will become
ZF in 2017.



CHERRY 

General Purpose Snap Action Switch GP Series

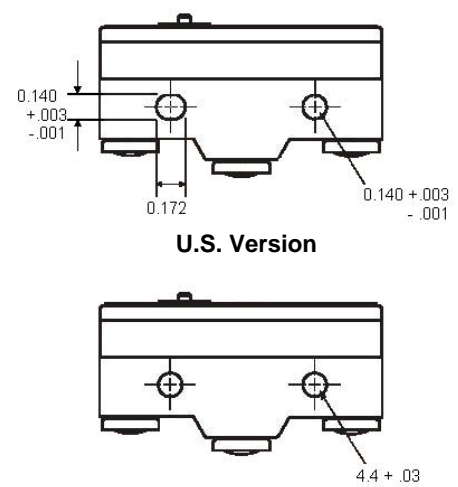
Terminal Types



Screw Terminal

Solder Terminal

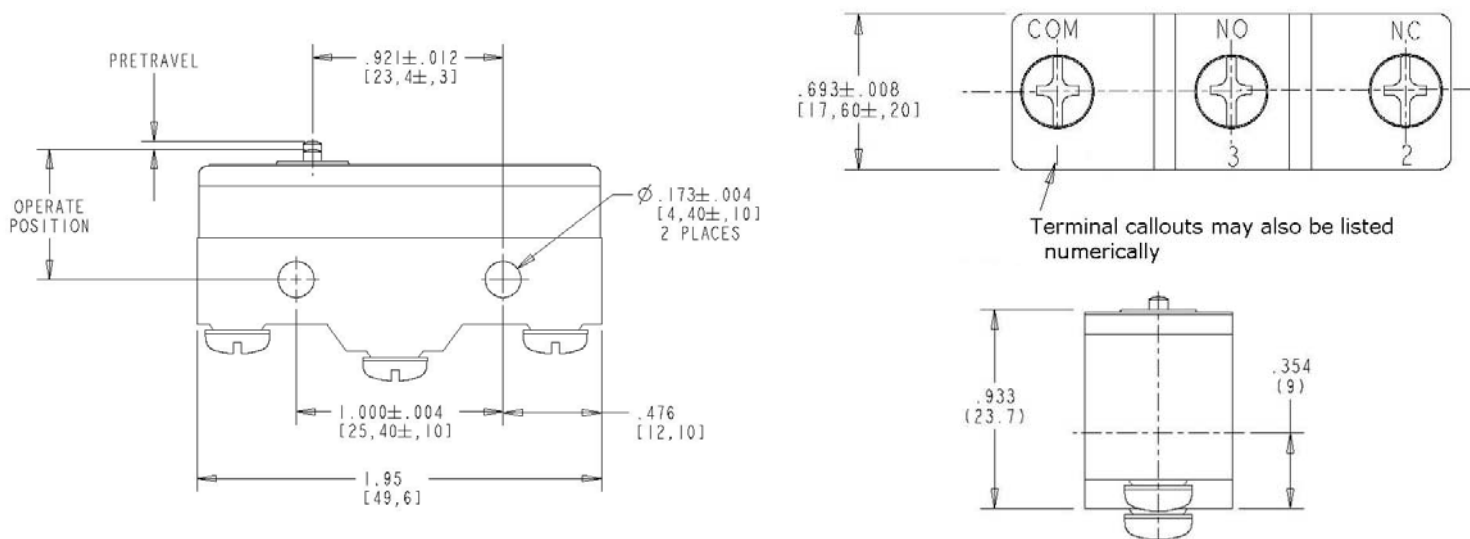
Mounting Holes



U.S. Version

Metric Version

Dimensions inches(mm)



Terminal callouts may also be listed numerically

Note: GP Series switches are available with screw or solder terminals and with U.S. or metric holes

- For solder terminals, replace the "T" in the third position of the part number with an "S" (e.g. GPSCNA11 was GPTCNA11)
- F For metric holes, replace the "1" in the seventh position with a "0" (e.g. GPTCNA01 was GPTCNA11)



| | Part Number | Operating Force Maximum (oz) | Release Force Minimum (oz) | Pretravel Maximum inches (mm) | Operating Point Min/Max inches (mm) | Overtravel Minimum inches (mm) | Movement Differential Maximum inches (mm) | Mounting Hole | Terminal Type |
|--|-------------|------------------------------|----------------------------|-------------------------------|-------------------------------------|--------------------------------|---|---------------|---------------|
| | GPTCLS11 | 2.5 | 0.5 | 0.394 (10.00) | 0.716 / 0.780 (18.20 / 19.80) | 0.220 (5.61) | 0.050 (1.27) | U.S. | Screw |
| | GPTBLS11 | 2.8 | 0.5 | 0.394 (10.00) | 0.716 / 0.780 (18.20 / 19.80) | 0.220 (5.61) | 0.050 (1.27) | U.S. | Screw |
| | GPTCNH11 | 12.3 | 4 | 0.016 (0.41) | 0.826 / 0.890 (20.98 / 22.60) | 0.217 (5.51) | .002 (0.05) | U.S. | Screw |
| | GPTBNH11 | 22.9 | 7.1 | 0.028 (0.70) | 0.826 / 0.890 (21.00 / 22.60) | 0.217 (5.51) | 0.008 (0.20) | U.S. | Screw |
| | GPTCRH11 | 12.3 | 4 | 0.016 (0.41) | 1.27 / 1.36 (32.2 / 34.6) | 0.141 (3.58) | 0.016 (0.4) | U.S. | Screw |
| | GPTBRH11 | 22.9 | 7.1 | 0.028 (0.70) | 1.268 / 1.362 (32.20 / 34.60) | 0.141 (3.58) | 0.008 (0.20) | U.S. | Screw |
| | GPTCLS01 | 2.5 | 0.5 | 0.394 (10.00) | 0.716 / 0.780 (18.20 / 19.80) | 0.220 (5.6) | 0.050 (1.27) | Metric | Screw |
| | GPTCNH01 | 12.3 | 4 | 0.016 (0.41) | 0.826 / 0.890 (20.98 / 22.60) | 0.216 (5.5) | 0.002 (0.05) | Metric | Screw |
| | GPTCRM01 | 5.6 | 1.5 | 0.106 (2.70) | 1.17 / 1.21 (29.80 / 30.60) | 0.094 (2.40) | 0.020 (0.50) | Metric | Screw |
| | GPTCRM11 | 5.6 | 1.5 | 0.106 (2.70) | 1.17 / 1.21 (29.80 / 30.60) | 0.094 (2.40) | 0.020 (0.50) | U.S. | Screw |
| | GPTCRS01 | 3.5 | 0.8 | 0.280 (7.10) | 1.16 / 1.22 (29.40 / 31.00) | 0.158 (4.00) | 0.040 (1.02) | Metric | Screw |
| | GPTCRS11 | 3.5 | 0.8 | 0.280 (7.10) | 1.16 / 1.22 (29.40 / 31.00) | 0.158 (4.00) | 0.040 (1.02) | U.S. | Screw |
| | GPTCNC11 | 12.3 | 4 | 0.016 (0.40) | 0.826 / 0.866 (21.00 / 22.00) | 0.063 (1.60) | 0.002 (0.05) | U.S. | Screw |
| | GPTBNC11 | 23 | 7.1 | 0.028 (0.7) | 0.826 / 0.866 (21.00 / 22.00) | 0.062 (1.6) | 0.007 (0.18) | U.S. | Screw |

Specifications subject to change without notice

Contact

Call, fax or visit our
Website for more information.

ZF Electronics Corporation
11200 88th Avenue
Pleasant Prairie, WI 53158

Phone: 262.942.6500
Web: www.cherrycorp.com
Email: cep_sales@zf.com
Fax: 262.942.6566

The manufacturer accepts no liability
for errors or non-availability, and
reserves the right to change
specifications without prior notice.

Technical data relates to product
specifications only. Features may differ
from those described. Only drawings
combined with product specifications
shall be deemed binding.

© 2007 ZF Electronics Corporation

Last Updated: 030912

