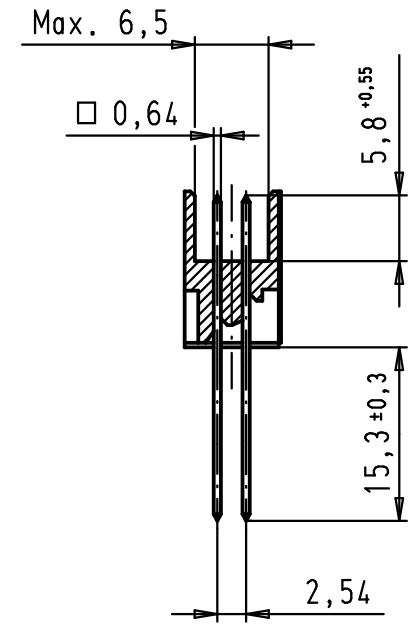
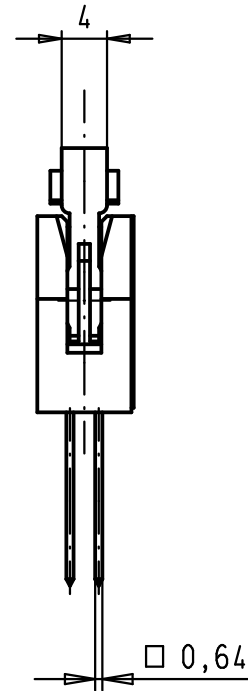
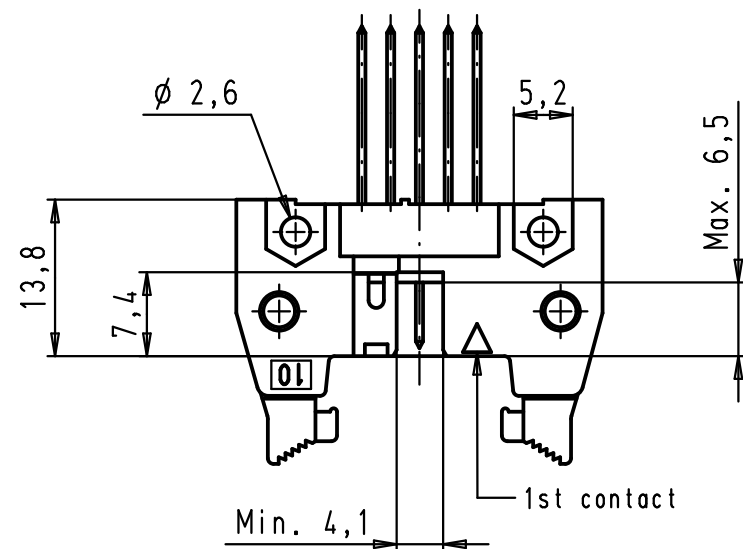
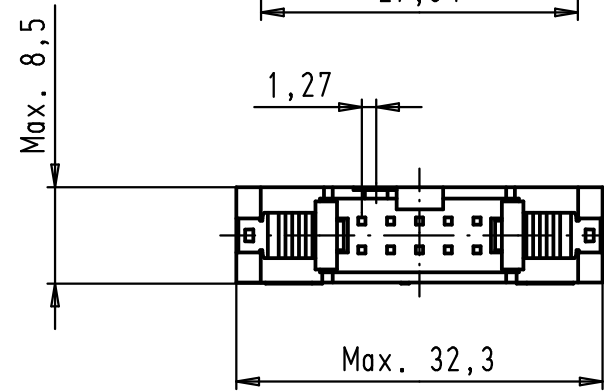
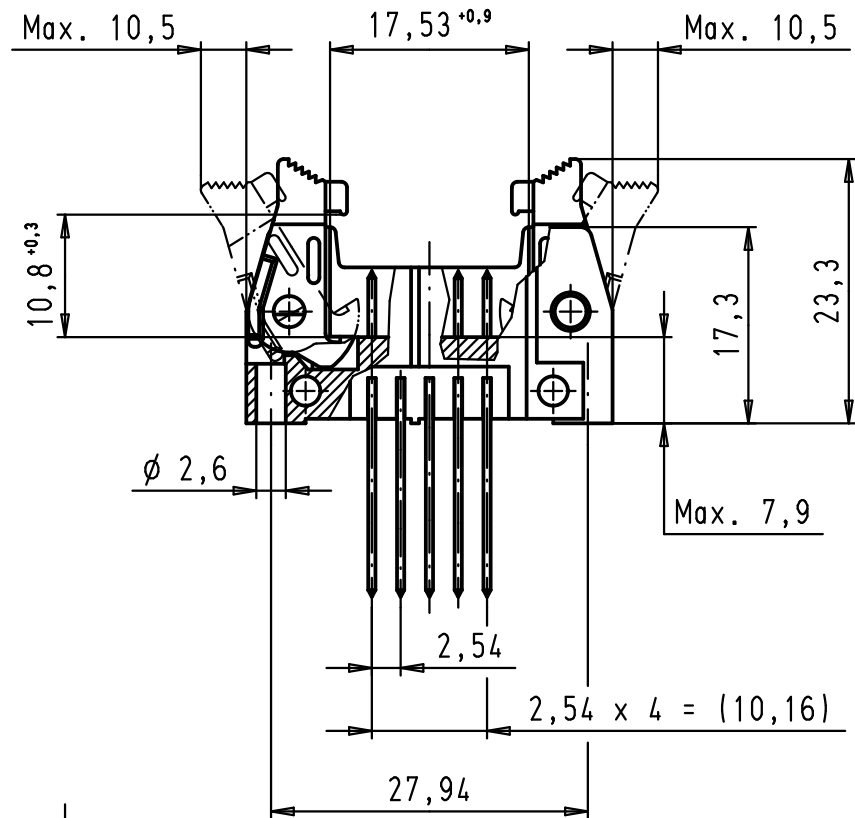
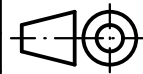



Alle Rechte vorbehalten. All rights reserved



09 18 510 7917	3
09 18 510 6917	2
09 18 510 5917	0,76 μm Au
Part number	Performance level

				Det.	Name	 All Dim. in mm Orig. Size DIN A 3	SEK 18 Male Connector Standard 10 poles Straight wrap posts Short locking levers	Moßstab/ Scale
			Detail.	19/09/02	CV			1,5:1
			Insp.					
			Stand.					
34883	12/02/08	SH	HARTING EURL			TB 09 18 510 X917	Blatt/ Page	
31092	19/09/02	CV	F-95972 Paris				1	
Mod.	Det.	Name					Sub.	