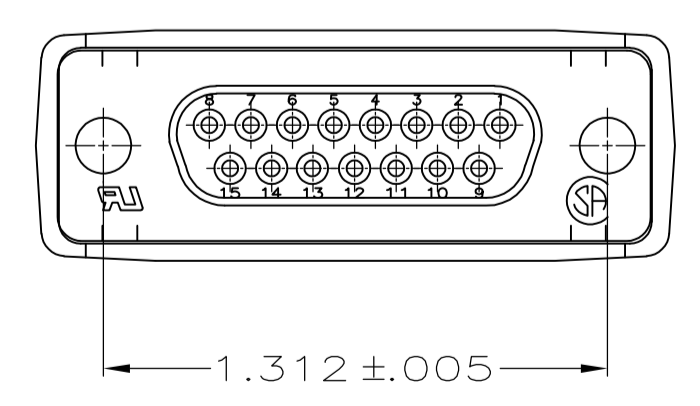
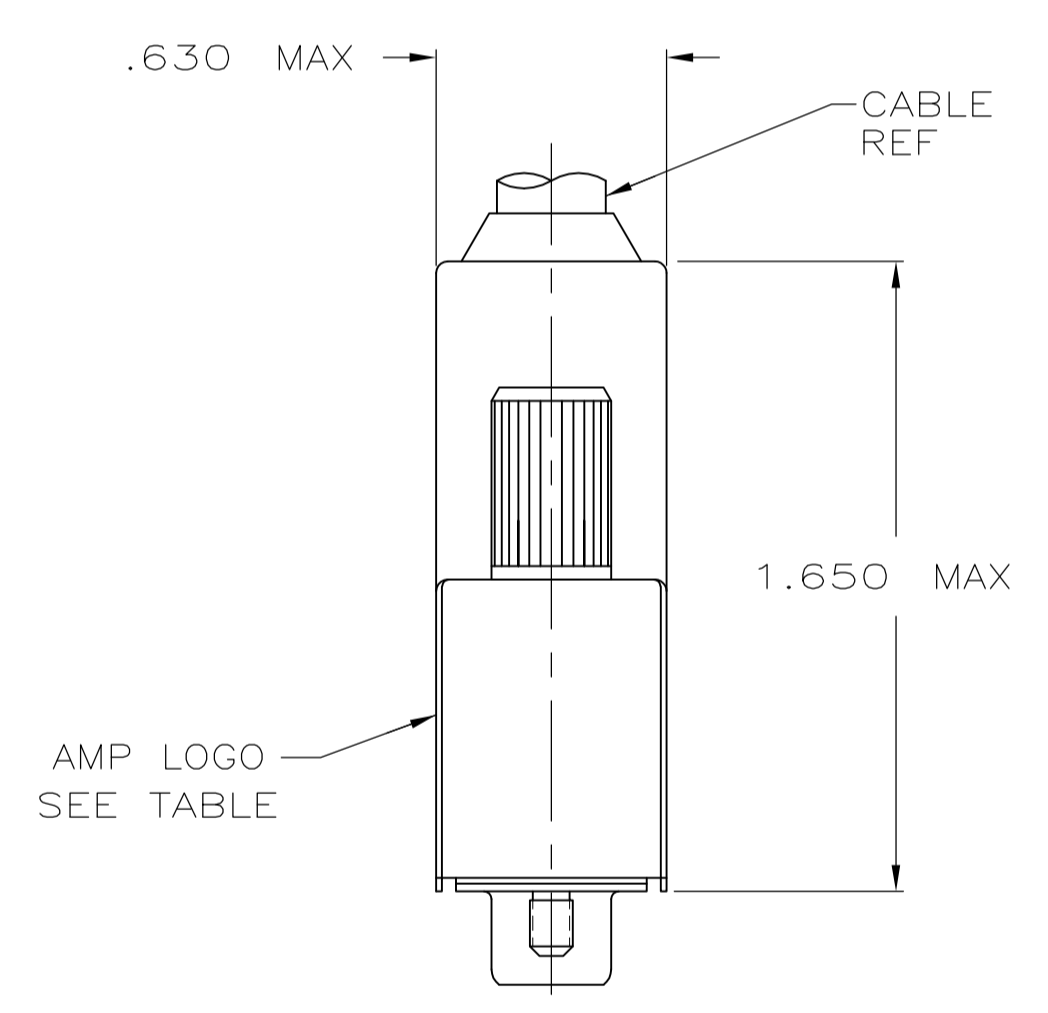
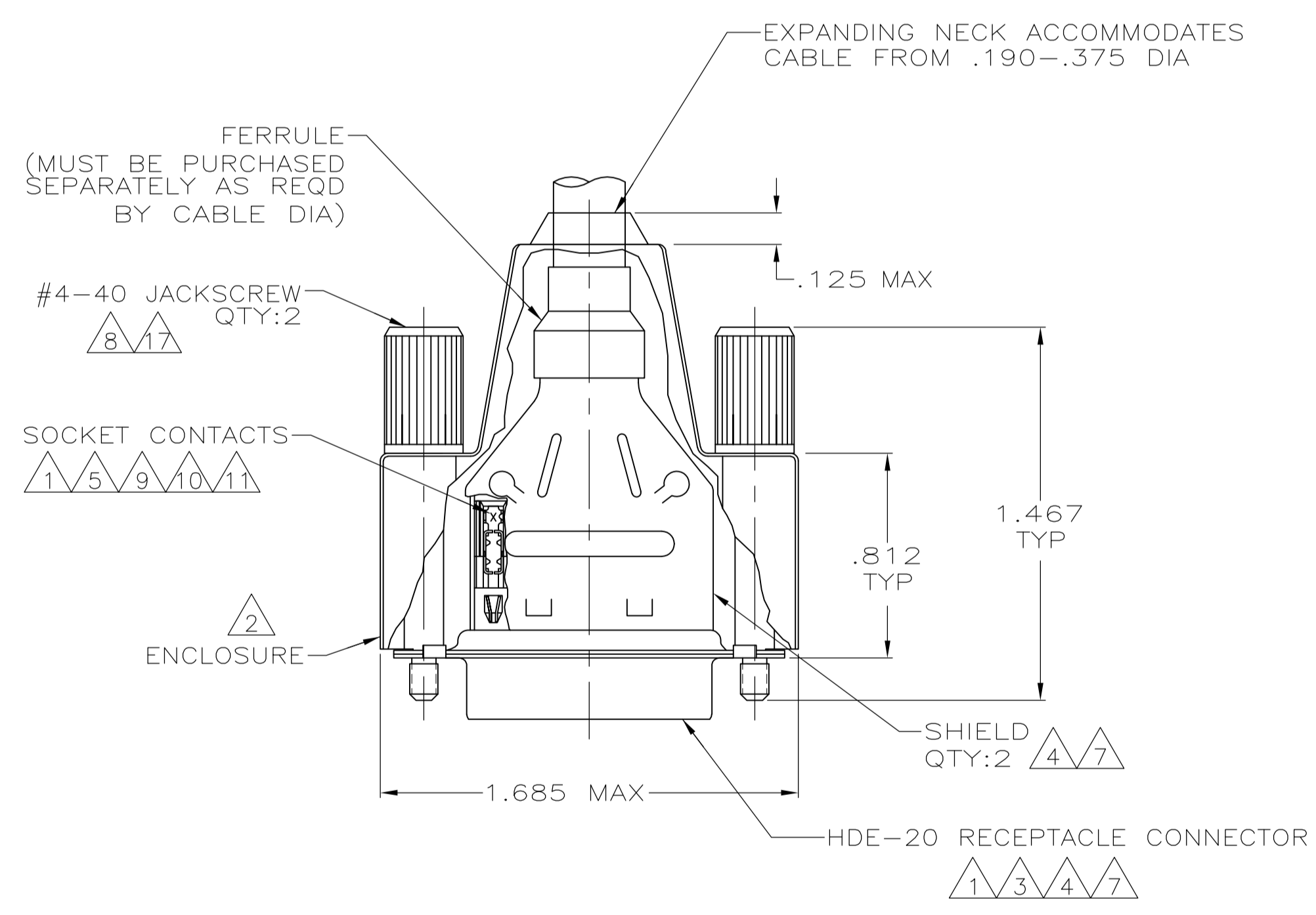


REVISIONS				
REV	DESCRIPTION	DATE	BY	APP'D
AA	REVISED PER ECO-17-002903	20MAR2017	AP	DG

- 1 RECEPTACLE CONNECTOR FULLY LOADED WITH CONTACTS. ALL OTHER PARTS ARE SHIPPED UNASSEMBLED. EACH PART INDIVIDUALLY BULK PACKED.
- 2 FLAME RETARDANT 94V-0 RATED, POLYOLEFIN OR PVC, BLACK.
- 3 FLAME RETARDANT 94V-0 RATED, GLASS-FILLED, NYLON OR POLYESTER, BLACK.
- 4 STEEL PER ASTM A109.
- 5 PHOSPHOR BRONZE PER QQ-B-750.
- 6 GOLD PLATING PER MIL-G-45204, NICKEL PLATING PER QQ-N-290, TIN PLATING PER MIL-T-10727, ZINC PLATING PER B633, TYPE II, CLASS SCI, BLACK CHROMATE.
- 7 TIN PLATED.
- 8 BLACK ZINC FLAKE COATING.
- 9 PLATED WITH GOLD FLASH ON MATING END FOR LENGTH OF .100 MIN, .000100-.000200 TIN OR TIN LEAD ON TERMINATION END, ALL OVER .000030 MIN NICKEL ON ENTIRE CONTACT.
- 10 PLATED WITH .000030 GOLD FOR LENGTH OF .100 MIN FROM MATING END, WITH POINT OF MEASUREMENT .050 FROM MATING END OF CONTACT, .000100-.000200 TIN OR TIN LEAD ON TERMINATION END, ALL OVER .000030 MIN NICKEL ON ENTIRE CONTACT.
- 11 NUMBER ON CONTACT INDICATES WIRE RANGE.
- 12 OBSOLETE PART NUMBER.
- 13 SEE RESTRICTED CUSTOMER DRAWING 1-747945-3.
- 14 CONTACTS SELECTIVELY LOADED IN POSITIONS 2,3,5,6,9,10,12, & 13.
- 15 PLATED WITH .000030 GOLD FOR LENGTH OF .100 MIN FROM MATING END, .000100-.000200 TIN ON TERMINATION END, ALL OVER .000050 MIN NICKEL UNDERPLATE ON ENTIRE CONTACT.
- 16 PLATED WITH GOLD FLASH FOR A LENGTH OF .100 MIN FROM MATING END, .000100-.000200 TIN ON TERMINATION END, ALL OVER .000030 MIN NICKEL UNDERPLATE ON ENTIRE CONTACT.
- 17 CARBON STEEL, C1022.



REV	DESCRIPTION	DATE	BY	APP'D
16	YES	2	22-26	1-747945-6
15	YES	1	26-30	1-747945-5
9	YES	2	22-26	1-747945-4
				1-747945-3
9	NO	3	20-22	1-747945-2
	NO	2	22-26	1-747945-1
	NO	1	26-30	1-747945-0
10	NO	3	20-22	747945-9
	NO	2	22-26	747945-8
	NO	1	26-30	747945-7
9	YES	3	20-22	747945-6
	YES	2	22-26	747945-5
	YES	1	26-30	747945-4
10	YES	3	20-22	747945-3
	YES	2	22-26	747945-2
	YES	1	26-30	747945-1
CONTACT FINISH	LOGO	WIRE RANGE	PART NUMBER	

THIS DRAWING IS A CONTROLLED DOCUMENT.

DIMENSIONS: INCHES. TOLERANCES UNLESS OTHERWISE SPECIFIED:

0. PLC	± .005
1. PLC	± .002
2. PLC	± .002
3. PLC	± .002
4. PLC	± .002
ANGLES	± .005

MATERIAL: 2,3,4,5,17. FINISH: 6,7,8.

APPROVED: L. VARELA - DOCKS (11-17-04), J. GERACE (11-17-04), M. WALMSLEY (11-17-04). NAME: M. WALMSLEY.

APPLICATION SPEC: 114-40002. WEIGHT: 0.000000. SIZE: A1. SCALE: 2:1. SHEET: 1 OF 1. REV: AA.

STE TE Connectivity. SHIELDING ENCLOSURE KIT, RCPT, SIZE 2, 15 POSN, AMPLIMITE HDE-20.