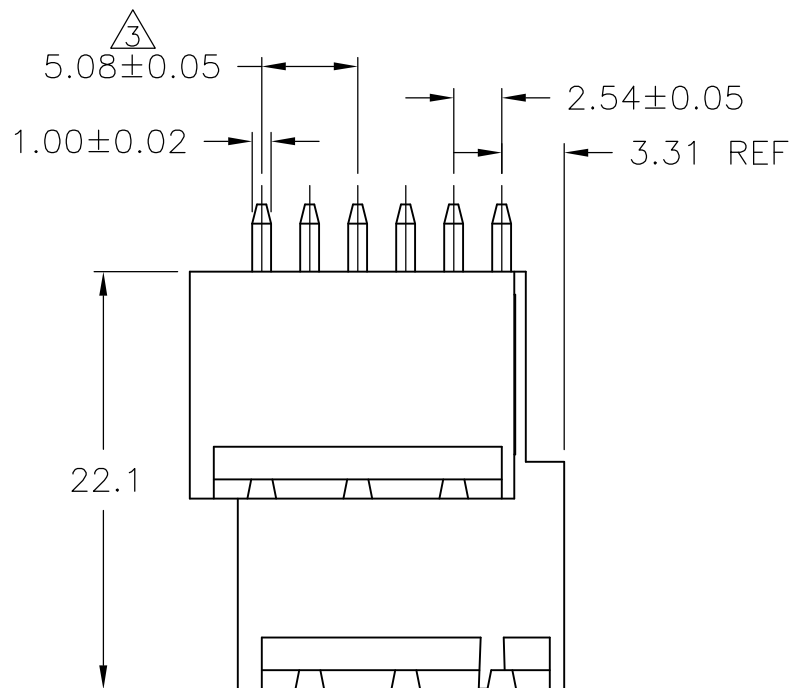
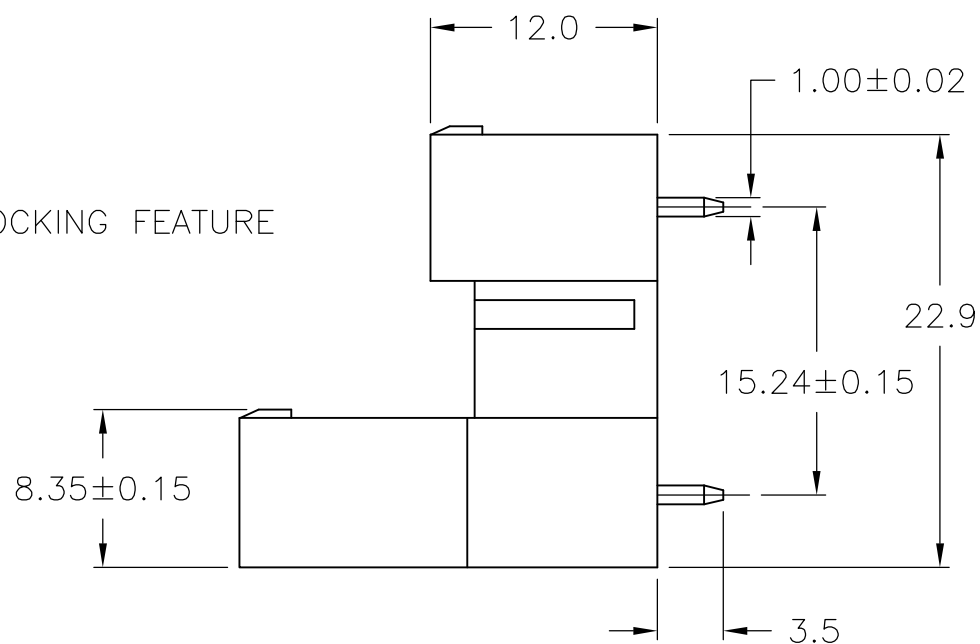
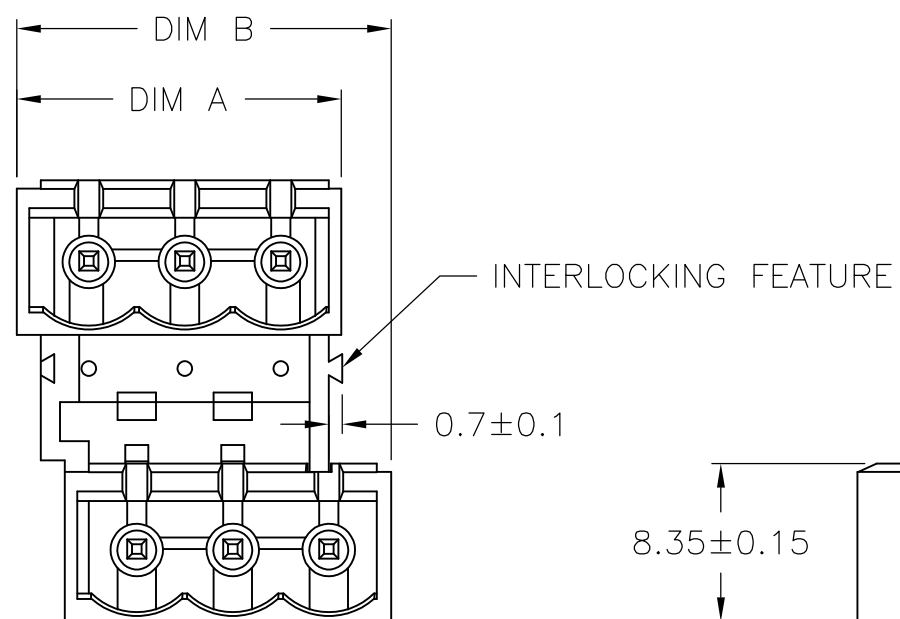


THIS DRAWING IS UNPUBLISHED. RELEASED FOR PUBLICATION
 © COPYRIGHT - BY TYCO ELECTRONICS CORPORATION. ALL RIGHTS RESERVED.

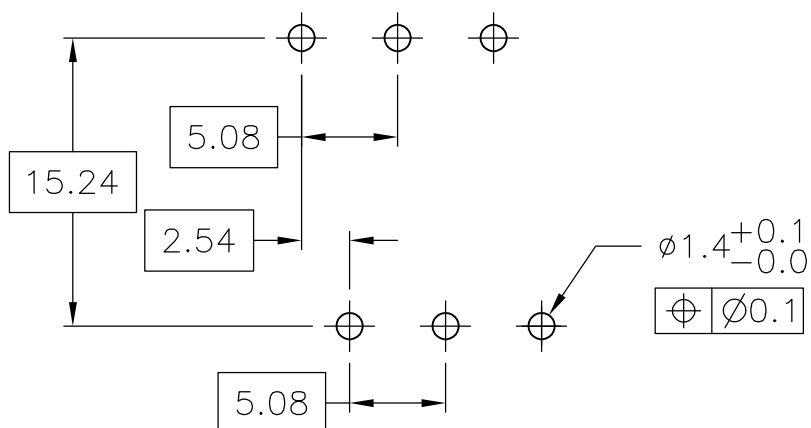
LOC	DIST	REVISIONS					
		P	LTR	DESCRIPTION	DATE	DWN	APVD
-	-	1	-		1/30/08	SS	CR



- 1 MATERIALS AND FINISH
HOUSING: PA 6-6, UL 94-V0, COLOR: BLACK.
TERMINAL: PHOSPHOR BRONZE, TIN PLATED.
- 2. SUITABLE FOR 1,6-2,4mm PC BOARD THICKNESS.
- 3 NOT CUMULATIVE TOLERANCE.



THIS PRINT IS
PRELIMINARY
 PRIOR TO CUSTOMER ORDER
 CONTACT PRODUCT ENGINEERING
 BEFORE USING THIS PRINT



RECOMMENDED PC BOARD LAYOUT

132.46	129.92	25	2-1986344-5
127.38	124.84	24	2-1986344-4
DIM B	DIM A	NO OF POS	PART NUMBER

THIS DRAWING IS A CONTROLLED DOCUMENT.		DWN	S SCHLEGEL	30JAN2008	Tyco Electronics Corporation Harrisburg, PA 17105-3608
DIMENSIONS: mm		CHK	C RICHARD	1/30/08	
TOLERANCES UNLESS OTHERWISE SPECIFIED:		APVD	C RICHARD	1/30/08	
0 PLC ± - 1 PLC ± 0.3 2 PLC ± 0.25 3 PLC ± - 4 PLC ± - ANGLES ± 2°		NAME		PRODUCT SPEC	
MATERIAL		APPLICATION SPEC		TERMINAL BLOCK MULTIPLE HEADER	
FINISH		WEIGHT		180 DEGREE, CLOSED ENDS 5.08mm PITCH	
-		SIZE	A3	CAGE CODE	00779
-		DRAWING NO	G-1986344		RESTRICTED TO
-		CUSTOMER DRAWING		SCALE	4:1
-		SHEET		1 OF 1	REV
-		REV		1	