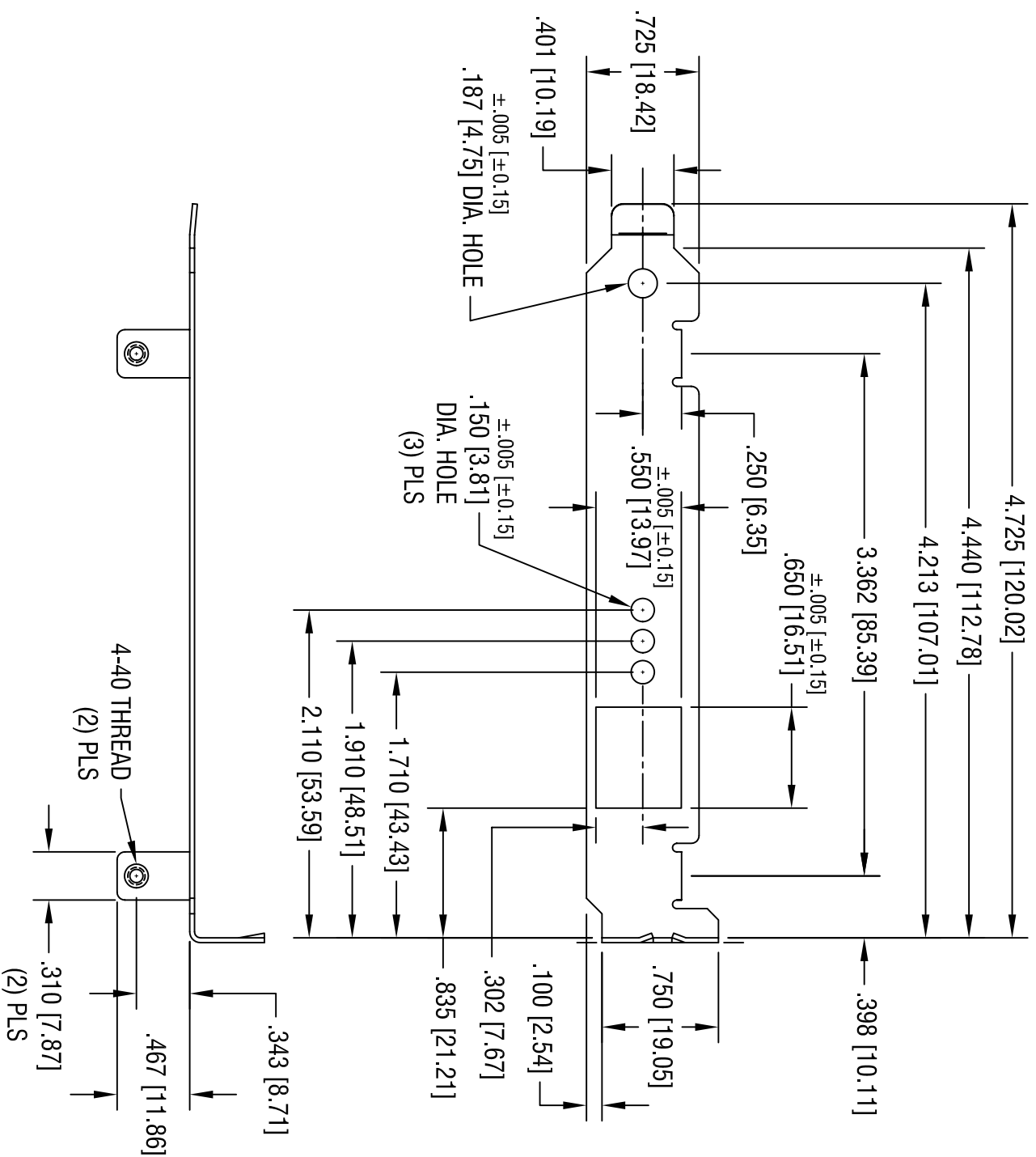


DATE

DESCRIPTION

REV.

**KEYSTONE ELECTRONICS CORP.**

ASTORIA, N.Y. 11105-2017

PART NAME

COMPUTER BRACKET

MATERIAL

.032 [0.81] THK STEEL

FINISH

NICKEL PLATE

TOLERANCES

INCH [MM]
DECIMAL ± .015 [± 0.38]
ANGULAR ± 1°

CODE

C

DWG NO.

9203-2

DRN BY

BOONE

DATE

6.15.98

APPD

LN

SCALE

1X

THIS DOCUMENT IS THE PROPERTY OF
KEYSTONE ELECTRONICS CORP. AND
SHALL NOT BE REPRODUCED, DISTRIBUTED
OR USED AS A BASIS FOR MANUFACTURE
WITHOUT PRIOR WRITTEN PERMISSION
FROM KEYSTONE ELECTRONICS CORP.