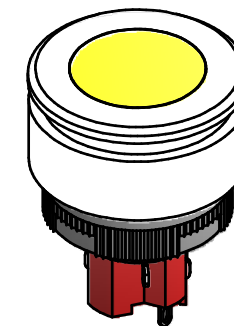
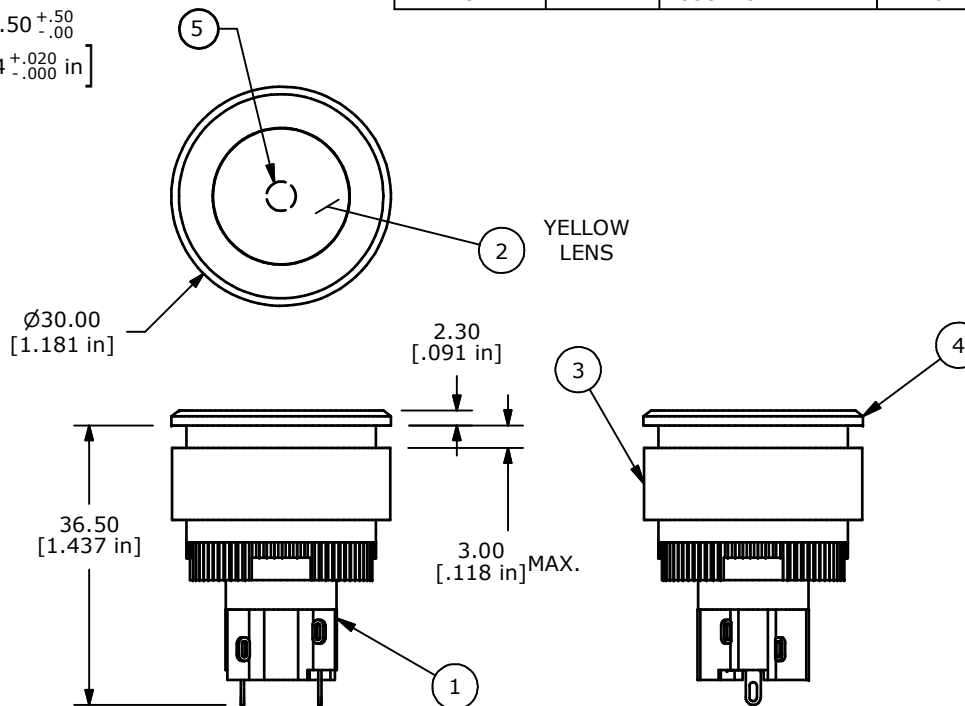
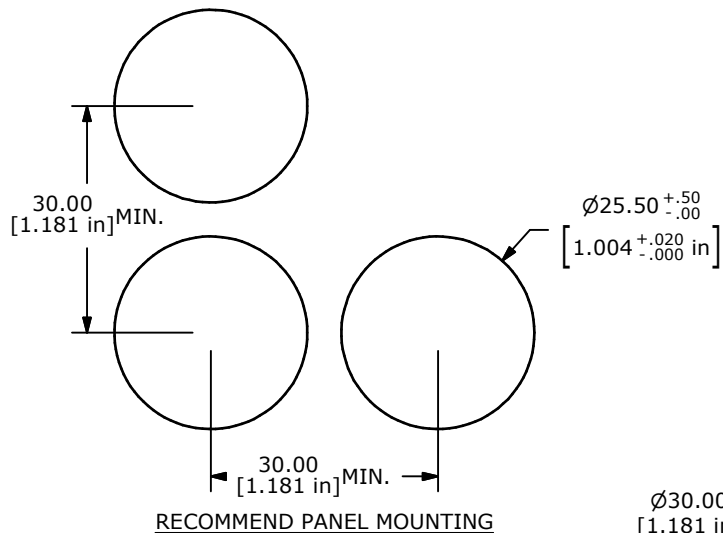


▲ Parts List

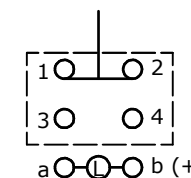
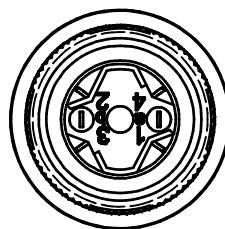
ITEM	QTY	PART NUMBER	DESCRIPTION
1	1	F060602	LASEEV11
2	1	F060206	25 MM YELLOW LENS
3	1	F051705	30MM FLUSH MOUNT RETAINER
4	1	F051704	30MM FLUSH MOUNT BEZEL
5	1	F050418	LED 6VDC YELLOW



ISOMETRIC

NOTES:

1. ALL DIMENSIONS IN MM [INCH].
2. GENERAL TOLERANCE: 0.0±0.4
0.00±0.25
3. TERM. NOS. FOR REF. ONLY.
4. RATING: 5A @250VAC
8A @125VAC
0.2A @250VDC
6A @24VDC
5. INSULATION: 1,000 MΩ MIN.
6. DIELECTRIC STRENGTH: 2000V FOR 1 MIN.
7. SEALED TO IP65.
8. TRAVEL: 3.0MM FULL TRAVEL, 2.0MM LATCH
9. ELECTRICAL LIFE: >50,000 CYCLES
10. OPERATING TEMP: -25C TO +55C
11. PANEL THICKNESS: 0.5MM TO 3.0MM
- ▲12. LAMP VOLTAGE: LED 6V DC YELLOW.
13. ▲DENOTES CRITICAL PARAMETER.
14. PACKAGE: BOX/20 PCS PER.
15. 2002/95/EC (ROHS) COMPLIANT



▲ SPDT CONTACT CONFIGURATION



TITLE LASEEV31HYELYEL				
SCALE 1:1	DATE 11/6/2008	DR BLR	DWG XF0772P	REV A

A	18300	RELEASE FOR PRODUCTION	11/6/08	BLR
REV	PCR NO	DESCRIPTION	DATE	BY

THE INFORMATION CONTAINED IN THIS DOCUMENT IS PROPRIETARY TO E-SWITCH AND IS NOT TO BE COPIED OR TRANSFERRED