

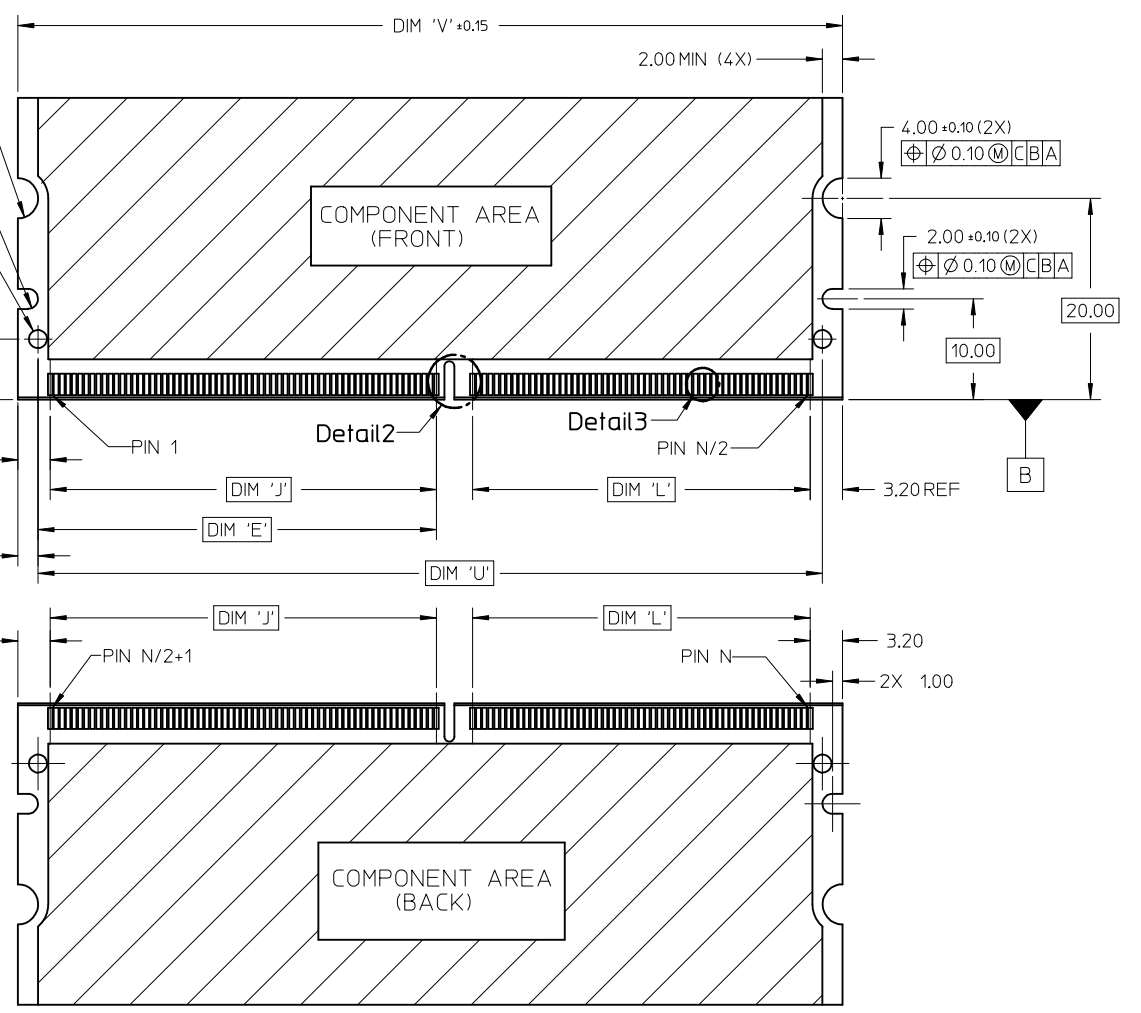
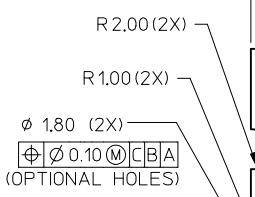
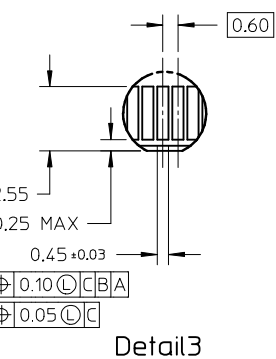
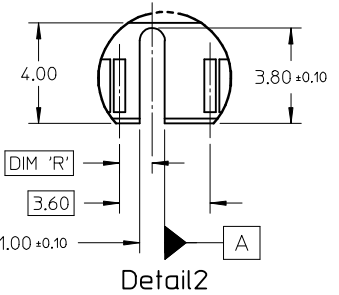
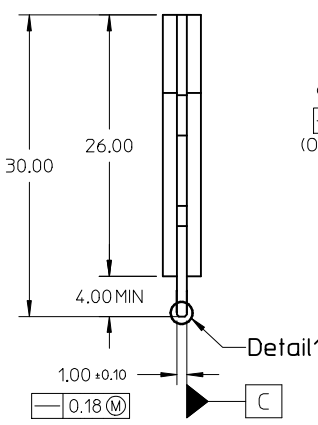
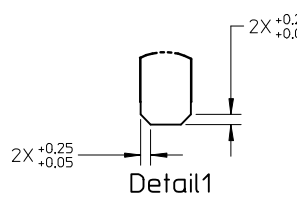
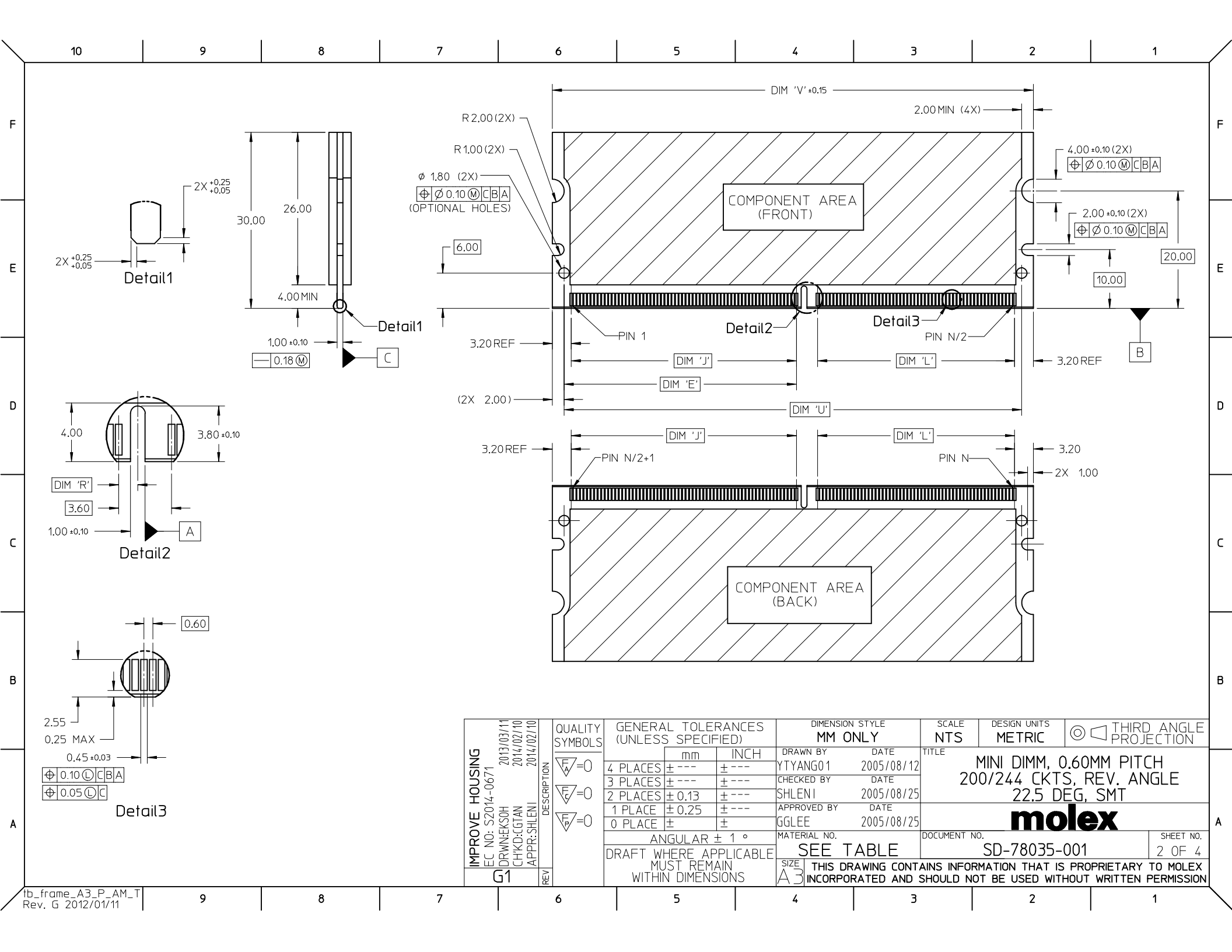
MINIMUM HEIGHT OF SOCKET WITH  
MODULE CARD HEIGHT OF 30.00MM  
AND THICKNESS OF 4MM.

- NOTES :
- MATERIAL :  
HOUSING : HIGH TEMPERATURE LIQUID CRYSTAL POLYMER, UL94V-0  
COLOUR : BLACK  
CONTACTS : COPPER ALLOY  
LATCHES : HIGH TEMPERATURE NYLON, UL94V-0  
COLOUR : NATURAL (OFF-WHITE)  
COVER : HIGH TEMPERATURE NYLON, UL 94V-0  
COLOUR : BLACK

- FINISH  
CONTACTS : 0.76 MICROMETER (30 MICROINCH) MIN GOLD OVER  
1.25 MICROMETER (50 MICROINCH) MIN NICKEL  
SMT TAIL : 2.54 MICROMETER (100 MICROINCH) MIN TIN OVER  
1.25 MICROMETER (50 MICROINCH) MIN NICKEL
- ACCEPTS 1.0mm THICK MEMORY MODULE PER JEDEC MO-244 FOR 244 CKTS AND MO-258 FOR 200 CKTS.
- PRODUCT SPECIFICATION : PS-78035-001.
- PACKING SPECIFICATION: SEE TABLE IN SHEET 4.

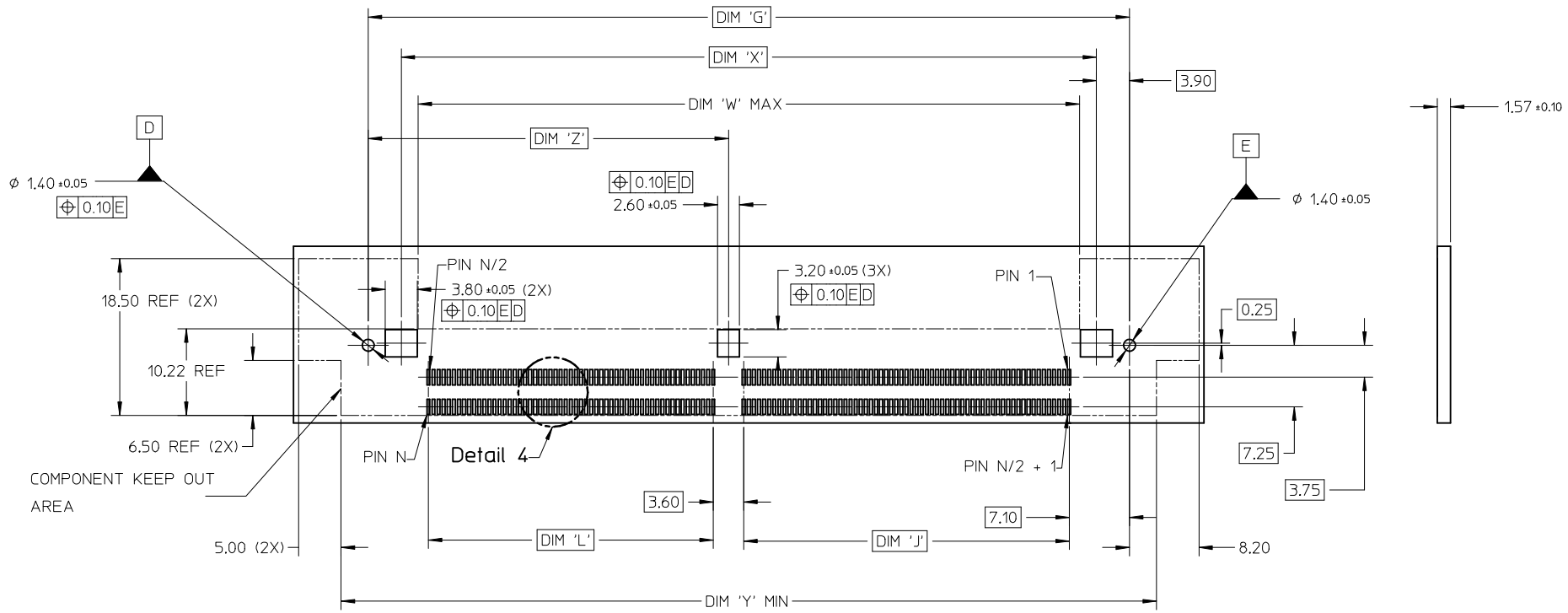
6. DATE CODE SHALL BE MARKED LEGIBLY AS SHOWN : YY DDD.
7. PART NUMBER SHALL BE MARKED LEGIBLY AS SHOWN : 78035-XXXX (REFER TO TABLE).

IMPROVE HOUSING EC NO: S2014-0671 DRW:KESOH 2013/03/11 CHKD:CGTAN 2014/02/10 APPR:SHLENI 2014/02/10	QUALITY SYMBOLS $F_A=0$ $F_G=0$ $F_P=0$	GENERAL TOLERANCES (UNLESS SPECIFIED)		DIMENSION STYLE MM ONLY		SCALE NTS	DESIGN UNITS METRIC	THIRD ANGLE PROJECTION	
			mm	INCH	DRAWN BY YTYANG01	DATE 2005/08/12	TITLE MINI DIMM, 0.60MM PITCH 200/244 CKTS, REV. ANGLE 22.5 DEG, SMT		
		4 PLACES	± ---	± ---	CHECKED BY SHLENI	DATE 2005/08/25			
		3 PLACES	± ---	± ---	APPROVED BY GGLEE	DATE 2005/08/25			
	2 PLACES	± 0.13	± ---	MATERIAL NO. SEE TABLE		DOCUMENT NO. SD-78035-001	SHEET NO. 1 OF 4		
	1 PLACE	± 0.25	± ---	DRAFT WHERE APPLICABLE MUST REMAIN WITHIN DIMENSIONS		THIS DRAWING CONTAINS INFORMATION THAT IS PROPRIETARY TO MOLEX INCORPORATED AND SHOULD NOT BE USED WITHOUT WRITTEN PERMISSION			
	0 PLACE	±	±	SIZE A3					

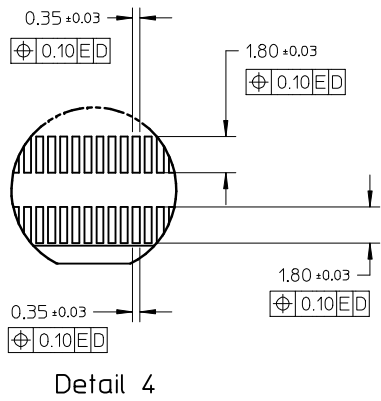


<b>IMPROVE HOUSING</b> EC NO: S2014-0671 DRW: KEKSOH CHKD: CGTAN APPR: SHLENI	2013/03/11 2014/02/10 2014/02/10	DESCRIPTION REV	QUALITY SYMBOLS	GENERAL TOLERANCES (UNLESS SPECIFIED)		DIMENSION STYLE MM ONLY		SCALE NTS	DESIGN UNITS METRIC	THIRD ANGLE PROJECTION		
			▽ <sub>F</sub> = 0	mm	INCH	DRAWN BY YTYANG01	DATE 2005/08/12	TITLE MINI DIMM, 0.60MM PITCH 200/244 CKTS, REV. ANGLE 22.5 DEG, SMT				
			▽ <sub>E</sub> = 0	4 PLACES ± --- ± ---	3 PLACES ± --- ± ---	CHECKED BY SHLENI	DATE 2005/08/25	<b>molex</b> DOCUMENT NO. SD-78035-001 SHEET NO. 2 OF 4				
			▽ <sub>F</sub> = 0	2 PLACES ± 0.13 ± ---	1 PLACE ± 0.25 ± ---	APPROVED BY GGLEE	DATE 2005/08/25					
	0 PLACE ± ±	ANGULAR ± 1 °		MATERIAL NO.		SEE TABLE						
G1		DRAFT WHERE APPLICABLE MUST REMAIN WITHIN DIMENSIONS		SIZE A3		THIS DRAWING CONTAINS INFORMATION THAT IS PROPRIETARY TO MOLEX INCORPORATED AND SHOULD NOT BE USED WITHOUT WRITTEN PERMISSION						

10 9 8 7 6 5 4 3 2 1



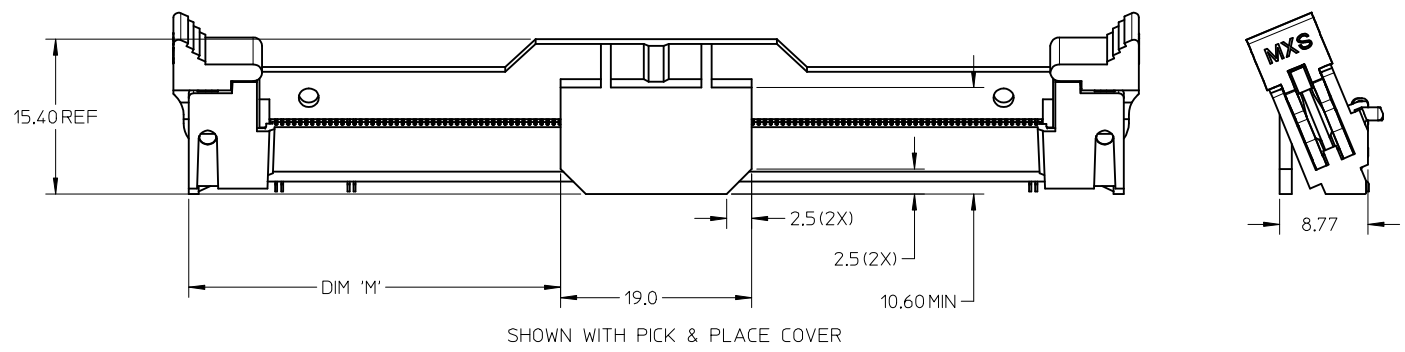
RECOMMENDED PCB LAYOUT



Detail 4

<b>IMPROVE HOUSING</b> EC NO: S2014-0671 DRW: KEKSOH CHKD: CGTAN APPR: SILENI 2013/03/11 2014/02/10 2014/02/10	DESCRIPTION REV	QUALITY SYMBOLS $F_{\Delta} = 0$ $F_{\sigma} = 0$ $F_{\rho} = 0$		GENERAL TOLERANCES (UNLESS SPECIFIED) mm      INCH		DIMENSION STYLE MM ONLY		SCALE NTS	DESIGN UNITS METRIC	THIRD ANGLE PROJECTION
		4 PLACES    ± ---    ± ---	DRAWN BY YTYANG01	DATE 2005/08/12	TITLE MINI DIMM, 0.60MM PITCH 200/244 CKTS, REV. ANGLE 22.5 DEG, SMT					
		3 PLACES    ± ---    ± ---	CHECKED BY SHLENI	DATE 2005/08/25	MATERIAL NO.					
		2 PLACES    ± 0.13    ± ---	APPROVED BY GGLEE	DATE 2005/08/25	DOCUMENT NO.					
1 PLACE    ± 0.25    ± ---	ANGULAR ± 1 °		DRAFT WHERE APPLICABLE MUST REMAIN WITHIN DIMENSIONS		SEE TABLE		SD-78035-001		SHEET NO. 3 OF 4	
0 PLACE    ±            ±	SIZE A3		THIS DRAWING CONTAINS INFORMATION THAT IS PROPRIETARY TO MOLEX INCORPORATED AND SHOULD NOT BE USED WITHOUT WRITTEN PERMISSION							

9 8 7 6 5 4 3 2 1



CKT. SIZE 'N'	PART NUMBER	MODULE CARD	VOLTAGE KEY	DIM 'R'	DIM 'E'	DIM 'J'	DIM 'L'	DIM 'M'	DIM 'P'	DIM 'G'	DIM 'S'	DIM 'T'	DIM 'U'	DIM 'V'	DIM 'W'	DIM 'X'	DIM 'Y'	DIM 'Z'	DIM 'A'	DIM 'B'	TRAY P/N PACKAGING SPEC
244	78035-0001	DDR2	1.8 V	1.30	39.60	38.40	33.60	37.0	79.0	89.80	96.0	106.20	78.00	82.00	78.0	82.00	96.20	42.50	93.0	75.60	89990-8198
	78035-0301	DDR3	1.5 V	2.30																	89990-8199
	78035-6301																				78888-8026
	78035-6001	DDR2	1.8 V	1.30																	PK-78035-003 (HARDTRAY)
200	78035-0201	DDR2	1.8 V	1.30	24.60	23.40	35.40	30.40	65.8	76.60	82.8	93.00	64.80	68.80	64.8	68.80	83.00	44.30	79.8	62.40	89990-8196
	78035-0202	DDR	2.5 V	2.30	89990-8197																
																					PK-78035-002

<b>IMPROVE HOUSING</b> EC NO: S2014-0671 DRW: MEXSOH 2013/03/11 CHKD: CGTAN 2014/02/10 APPR: SHLENI 2014/02/10	QUALITY SYMBOLS $F_A=0$ $F_G=0$ $F_P=0$	GENERAL TOLERANCES (UNLESS SPECIFIED) mm INCH 4 PLACES ± --- ± --- 3 PLACES ± --- ± --- 2 PLACES ± 0.13 ± --- 1 PLACE ± 0.25 ± --- 0 PLACE ± ± ANGULAR ± 1 ° DRAFT WHERE APPLICABLE MUST REMAIN WITHIN DIMENSIONS	DIMENSION STYLE <b>MM ONLY</b> DRAWN BY DATE YTYANG01 2005/08/12 CHECKED BY DATE SHLENI 2005/08/25 APPROVED BY DATE GGLEE 2005/08/25	SCALE NTS DESIGN UNITS METRIC THIRD ANGLE PROJECTION	TITLE MINI DIMM, 0.60MM PITCH 200/244 CKTS, REV. ANGLE 22.5 DEG, SMT <b>molex</b>	MATERIAL NO. SEE TABLE	DOCUMENT NO. SD-78035-001	SHEET NO. 4 OF 4
	REV G1			SIZE A3	THIS DRAWING CONTAINS INFORMATION THAT IS PROPRIETARY TO MOLEX INCORPORATED AND SHOULD NOT BE USED WITHOUT WRITTEN PERMISSION			