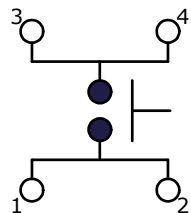
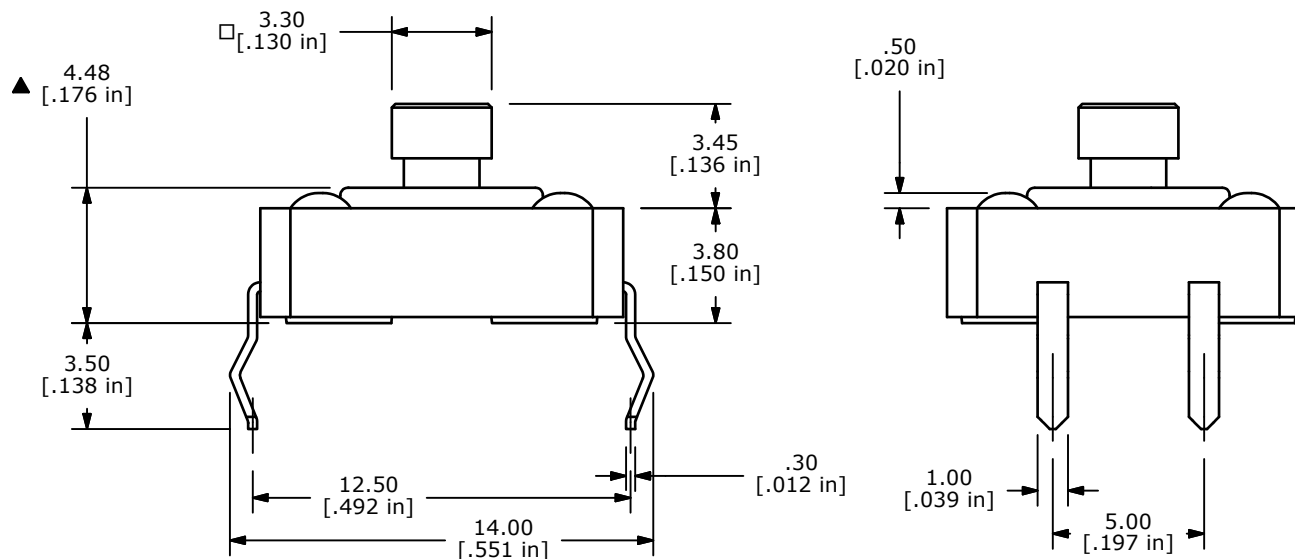
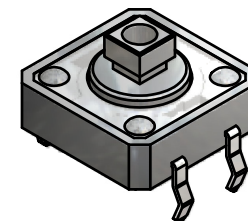
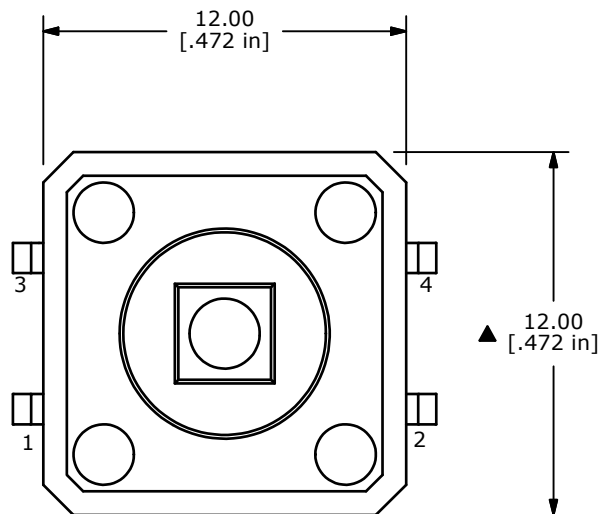


PCB MOUNTING



CIRCUIT: SPST



NOTES:

1. ALL DIMENSIONS IN MM [INCH]
2. GENERAL TOLERANCE: X.X=± 0.4  
X.XX=± 0.25
3. TERMINAL NUMBERS FOR REF. ONLY
- ▲ 4. RATING: 50mA @ 12VDC
5. TRAVEL: 0.30± 0.15mm
6. OPERATING FORCE: 260± 50mm
7. CONTACT RESISTANCE: 100mΩ MAX.
8. ELECTRICAL LIFE: 100,000 CYCLES
9. ▲ DENOTES CRITICAL PARAMETER
10. 2002/95/EC (ROHS) COMPLIANT

**E-SWITCH®**

C	20481	ADD DIMENSION TO ACTUATOR	02/15/12	BMA
B	16031	REVISED AND REDRAWN	5/23/06	CT
REV	PCR NO	DESCRIPTION	DATE	BY

TITLE TL1100F260Q				
SCALE	DATE	DR	DWG	REV
2:1	12/1/1998	MM	P001111	C

THE INFORMATION CONTAINED IN THIS DOCUMENT IS PROPRIETARY TO E-SWITCH AND IS NOT TO BE COPIED OR TRANSFERRED