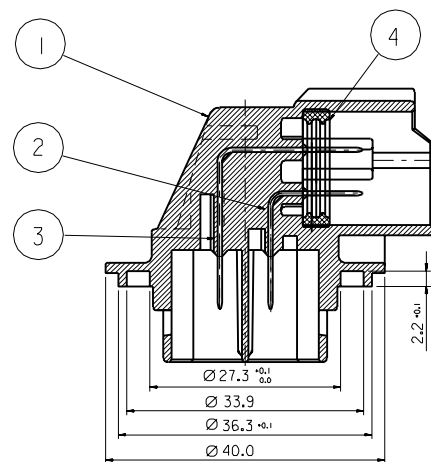
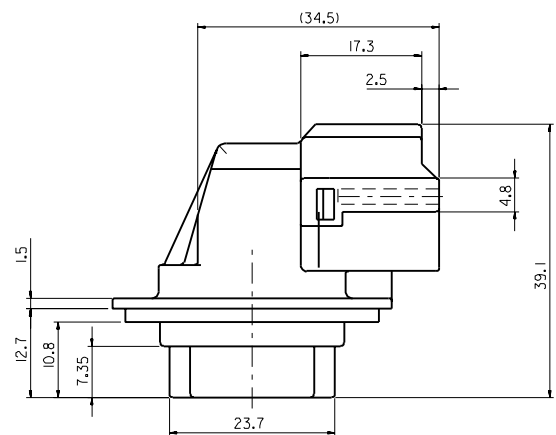
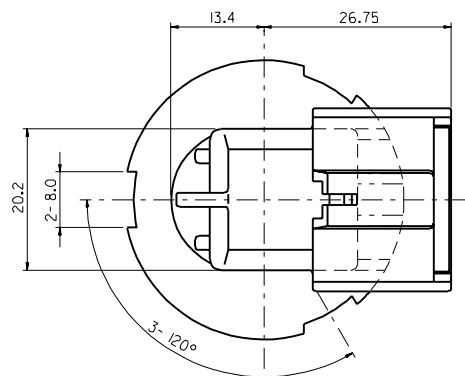


DO NOT SCALE DRAWING DIMENSION IN METRIC

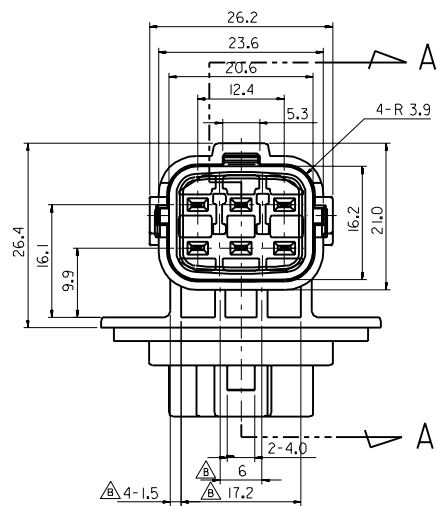
PROJECT NO. 35365-06 10

SIMILAR ITEM

DWG. NO. SD-35365-007



SECTION A-A



NO	PART NAME	ENG. NO.	Q'TY	MATERIAL /FINISH
1	6P MALE HEADER ASS'Y	35365-0690	1	POLYESTR(PBT),BLK UL94HB
2	MALE TERMINAL(S)	35678-1702	3	BRASS,TIN PLATING
3	MALE TERMINAL(L)	35678-2302	3	BRASS,TIN PLATING
4	INNER SEAL	35903-0016	1	SILICONE-BROWN

- NOTES
- MUST BE FREE OF FLASH ,SINK AND IMPERFECTIONS THAT AFFECT FUNCTION.
 - THE DRAFT SHALL BE WITHIN TOLERANCE.
 - IN AREAS MARKED FOR FINISHING THE DIE SHALL HAVE FLAT SURFACE.
 - SEALING PARTS SHALL NOT LEAK MORE THAN 0.5kgf/cm² PRESSURE APPLIDE.

REVISIONS EC NO. KOR2004-0064 DRWG. S.M.KIM 03/09/29 CHK. B.C.YOON 03/09/29 APPR. C.W.LEE	QUALITY SYMBOLS MAJOR ∇ 0 CRITICAL ∇ 0	GENERAL TOLERANCES (UNLESS SPECIFIED) DIMENSIONS: <input type="checkbox"/> mm <input type="checkbox"/> INCH <input checked="" type="checkbox"/> mm <input type="checkbox"/> INCH ONLY SHT REV REVISIONS ON CAD ONLY	SCALE 2:1 DESIGN UNITS <input checked="" type="checkbox"/> mm <input type="checkbox"/> INCH THIRD ANGLE PROJECTION	DRAWN BY & DATE Y.SIK,KIM 98/04/12 CHECKED BY & DATE B.K.CHOI 98/04/13 APPROVED BY & DATE C.W.LEE 98/04/13	DIMENSIONS: <input type="checkbox"/> mm <input type="checkbox"/> INCH <input checked="" type="checkbox"/> mm <input type="checkbox"/> INCH ONLY SHT REV REVISIONS ON CAD ONLY
	CAD FILENAME sd35365.dgn	MATERIAL NO. 35365-0610	DRAWING NO. SD-35365-007	SHEET NO. 1 OF 1	

TITLE: FUEL PUMP FLANGE-6P HEADER ASS'Y

MOLEX INCORPORATED

DRAFT WHERE APPLICABLE MUST REMAIN WITHIN DIMENSIONS

THIS DRAWING CONTAINS INFORMATION THAT IS PROPRIETARY TO MOLEX INCORPORATED AND SHOULD NOT BE USED WITHOUT WRITTEN PERMISSION.

SIZE C