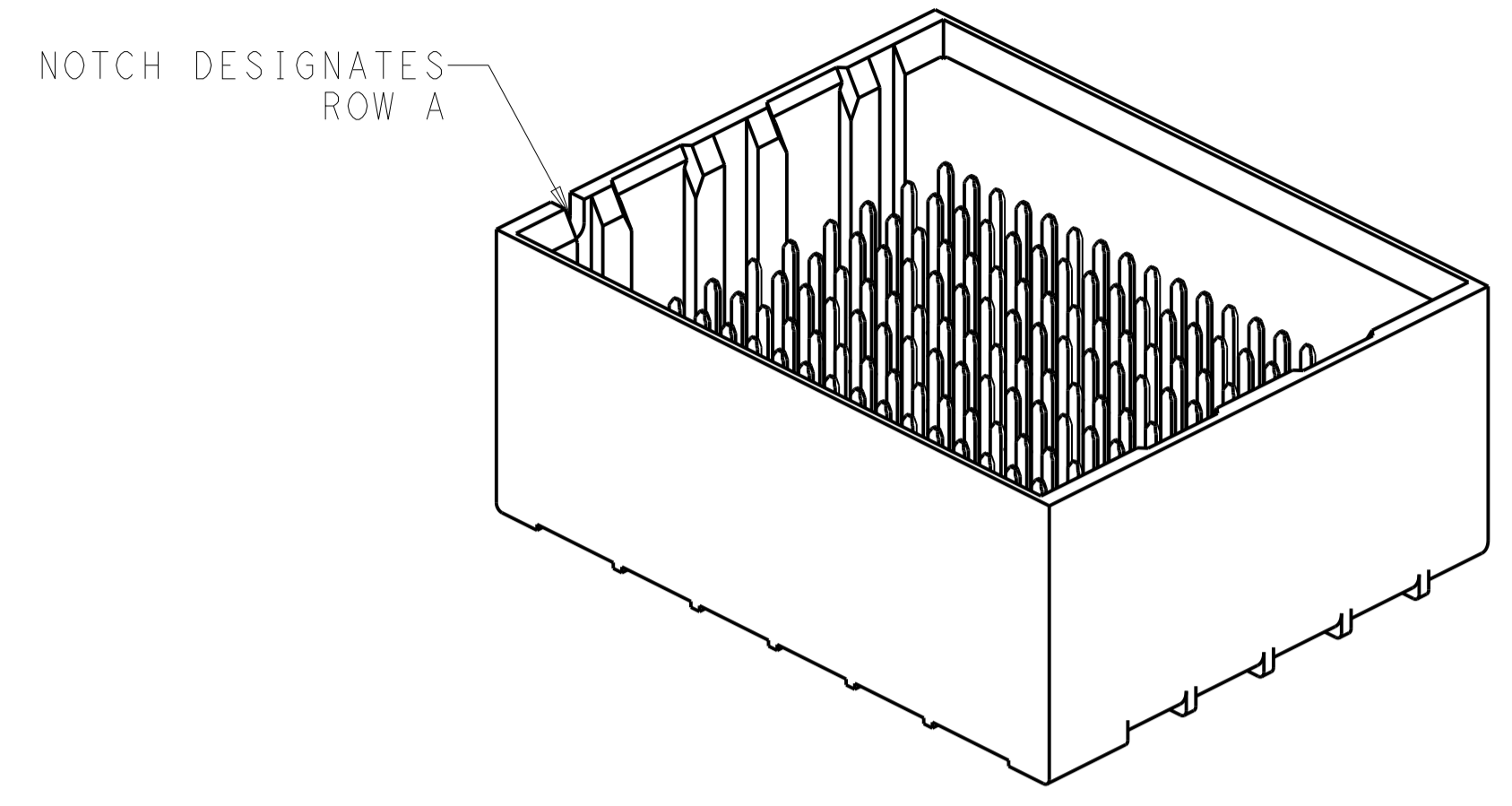
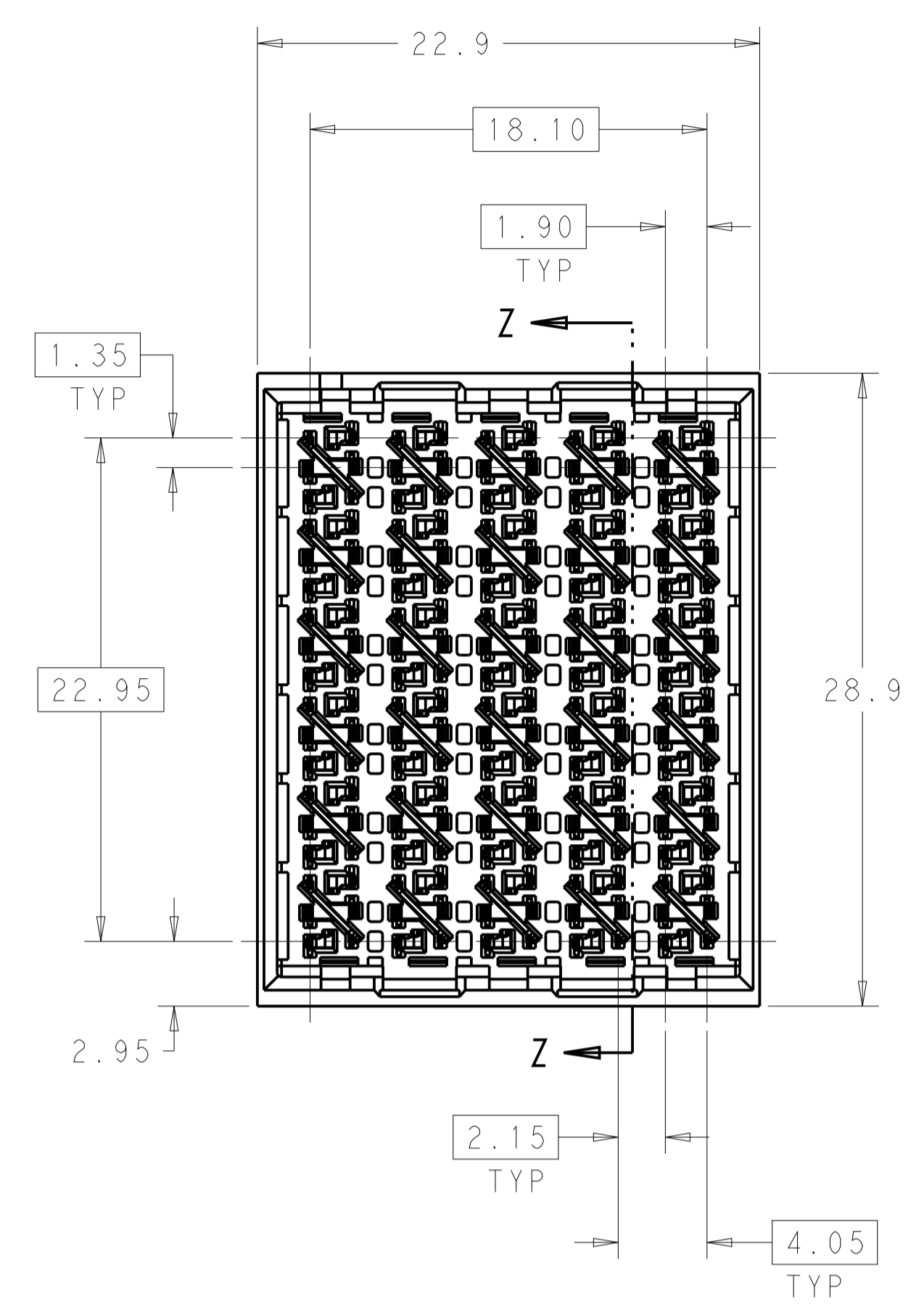
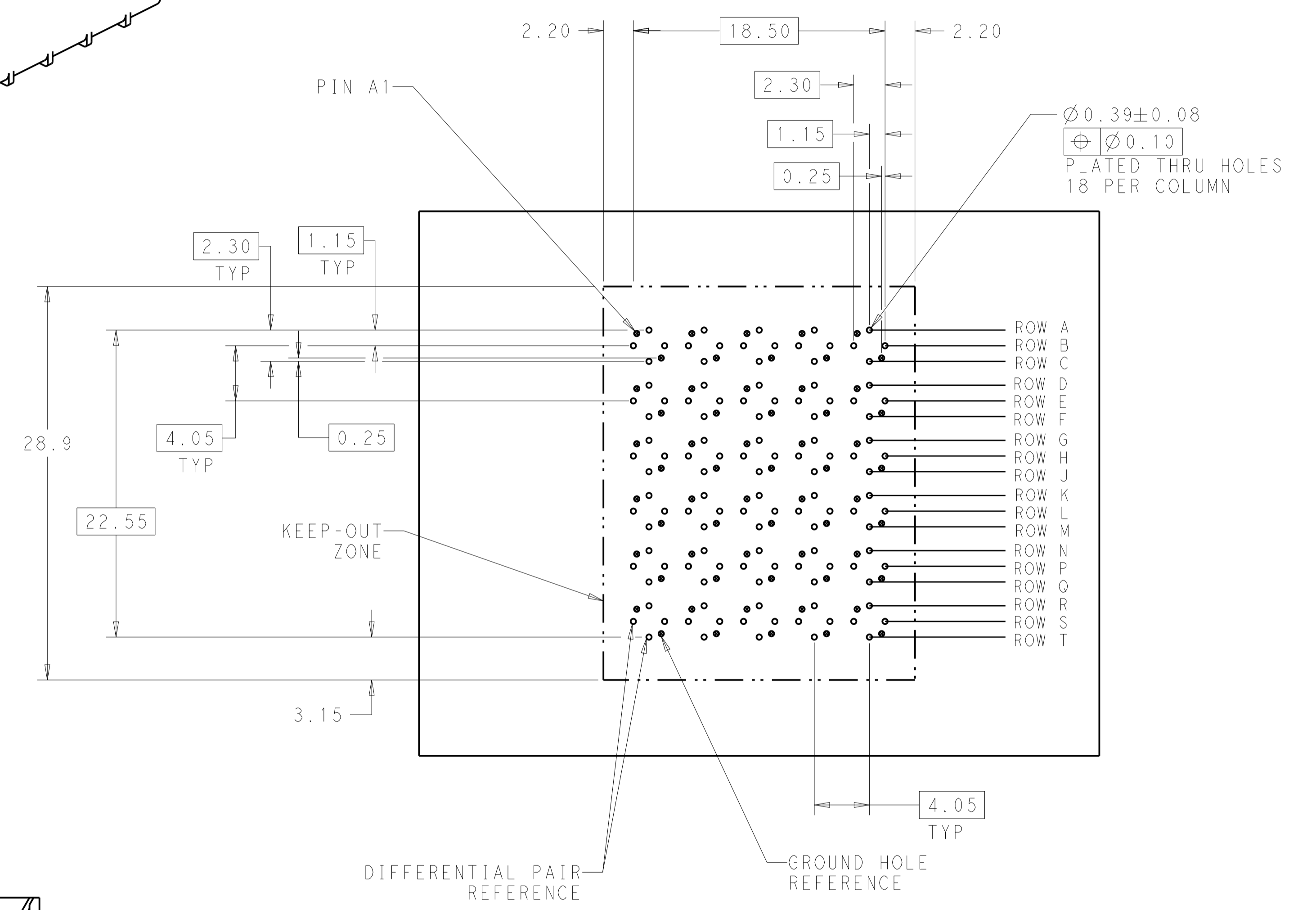


REVISIONS				
P.	LTN.	DESCRIPTION	DATE	APVD.
C		REVISED PER ECO-14-013273	31OCT2014	AP DD

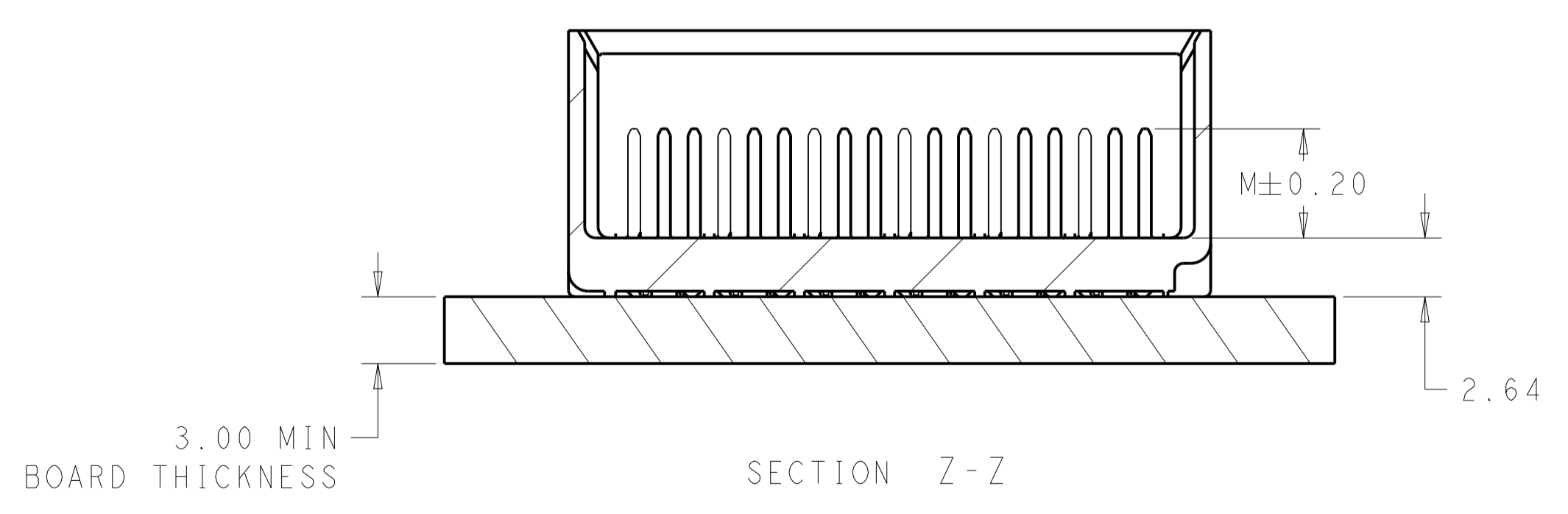
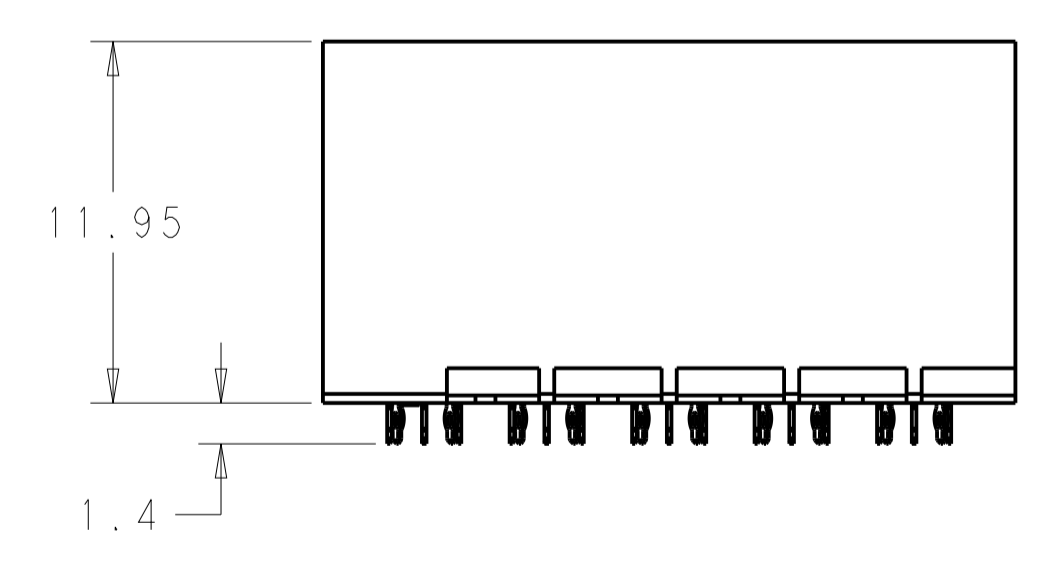


⚠ MATERIAL:  
HOUSING: LCP GLASS FILLED UL94V-0  
TERMINALS: HIGH PERFORMANCE COPPER ALLOY

⚠ FINISH:  
30μ" MIN GOLD IN CONTACT AREA  
SELECTIVE TIN ON PCB TAILS.  
NICKEL OVERALL.



LEFT GUIDED  
BACKPLANE HOLE PATTERN  
(CONNECTOR SIDE)  
SCALE 4:1



⚠	5.5	2143255-2
⚠	4.9	2143255-1
FINISH	DIM M	PART NUMBER

THIS DRAWING IS A CONTROLLED DOCUMENT.

OWN: J. K. SHOBER 29DEC2010  
CHK: J. EARY 29DEC2010  
APVD: J. EARY 29DEC2010

DIMENSIONS: mm  
TOLERANCES UNLESS OTHERWISE SPECIFIED:  
0 PLC ±  
1 PLC ±0.25  
2 PLC ±0.13  
3 PLC ±  
4 PLC ±  
ANGLES ±0

MATERIAL: SEE TABLE  
FINISH: SEE TABLE

TE Connectivity

NAME: IMPACT, 6 PAIR, 10 COLUMN, UNGUIDED DUAL END WALL ASSEMBLY, ORTHOGONAL, 0.39 PTH

SIZE: A1  
CAGE CODE: 00779  
DRAWING NO: 2143255

CUSTOMER DRAWING

SCALE: 4:1 SHEET 1 OF 1 REV C