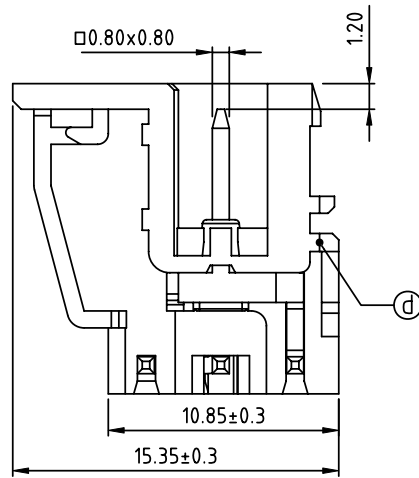
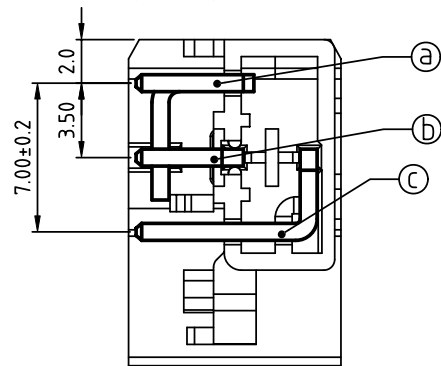
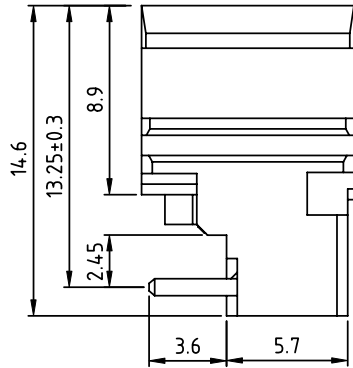
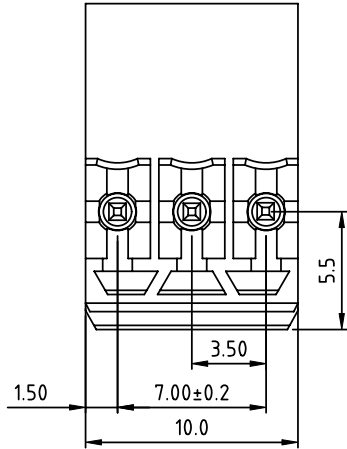
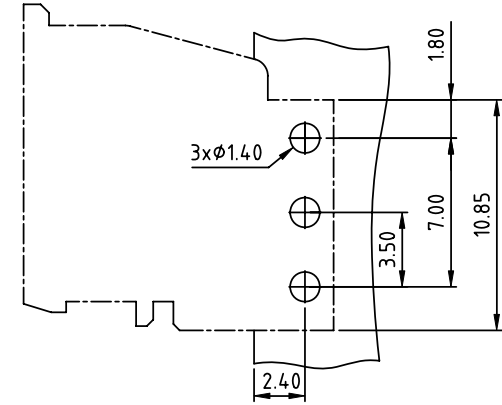


PRODUCT NUMBER	PITCH
EU0310x100J0G	3.50 mm



PART NO.: EU 03 10 x 1 00J0 G

- Color
- 0 Black (RAL9005)
 - 2 Red (RAL3001/D)
 - 3 Orange(RAL2011/P)
 - 4 Yellow(RAL1018/A)
 - 5 Green(RAL6018/T)
 - 6 Blue (RAL5015/A)
 - 8 Grey(RAL7035/D)
 - 9 White(RAL1102)
 - C Green(RAL6018/U)
- RoHS compliant (lead<4%)
In copper Alloy



RECOMMENDED P.C.B LAYOUT
TOP VIEW

Material:

- ItemⒶPin-01: Copper, Tin plated
- ItemⒷPin-02: Copper, Tin plated
- ItemⒸPin-03: Copper, Tin plated
- ItemⒹTerminal(housing): Thermoplastic (UL94V-0)

Electrical:

- Voltage rating: 300V
- Current rating: 10A
- Withstanding Voltage: 1.6 KV
- Operating temperature: -40°C to +115°C
- Soldering temperature: 260°C±5°C/5 Sec
- Safety Approval: cULus

mat'l. code		surface ASME Y14.5	tolerance ASME Y14.5	projection	product family TERMINAL BLOCK
ltr	ecn no	dr	date	tolerances unless otherwise specified	title
				angles X±1°	TERMINAL BLOCK PLUGGABLE SOCKET, LEFT TYPE
				scale	dwg no
				dr EVIN ZHONG 050914	sheet 1 of 1
				enr EVIN ZHONG 050914	size A4
				chr HANKE FENG 050914	EU0310x100J0G
				appd SHI JUN 050914	type CUSTOMER Drawing
sheet index	revision sheet	A	1		