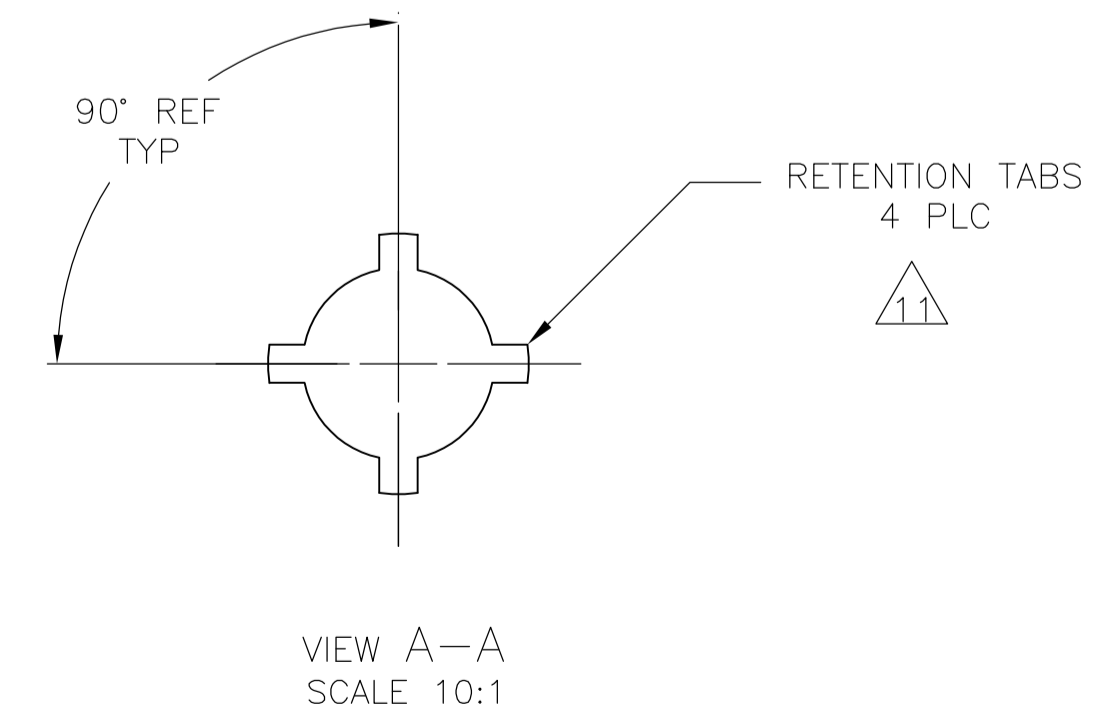
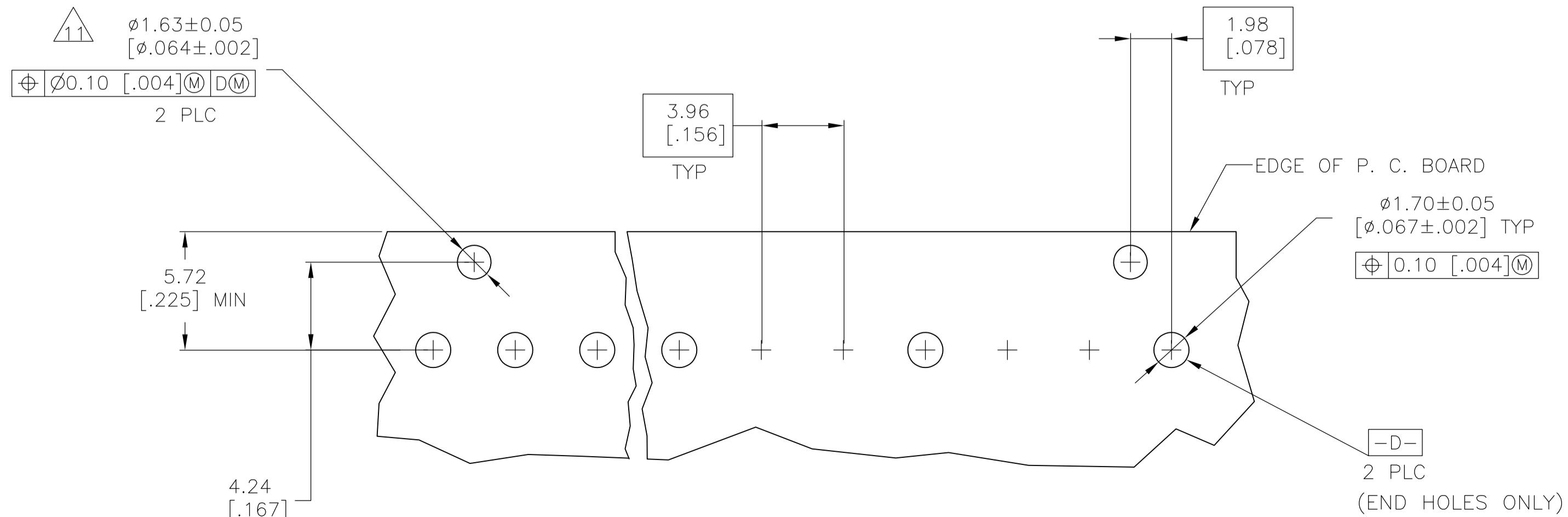
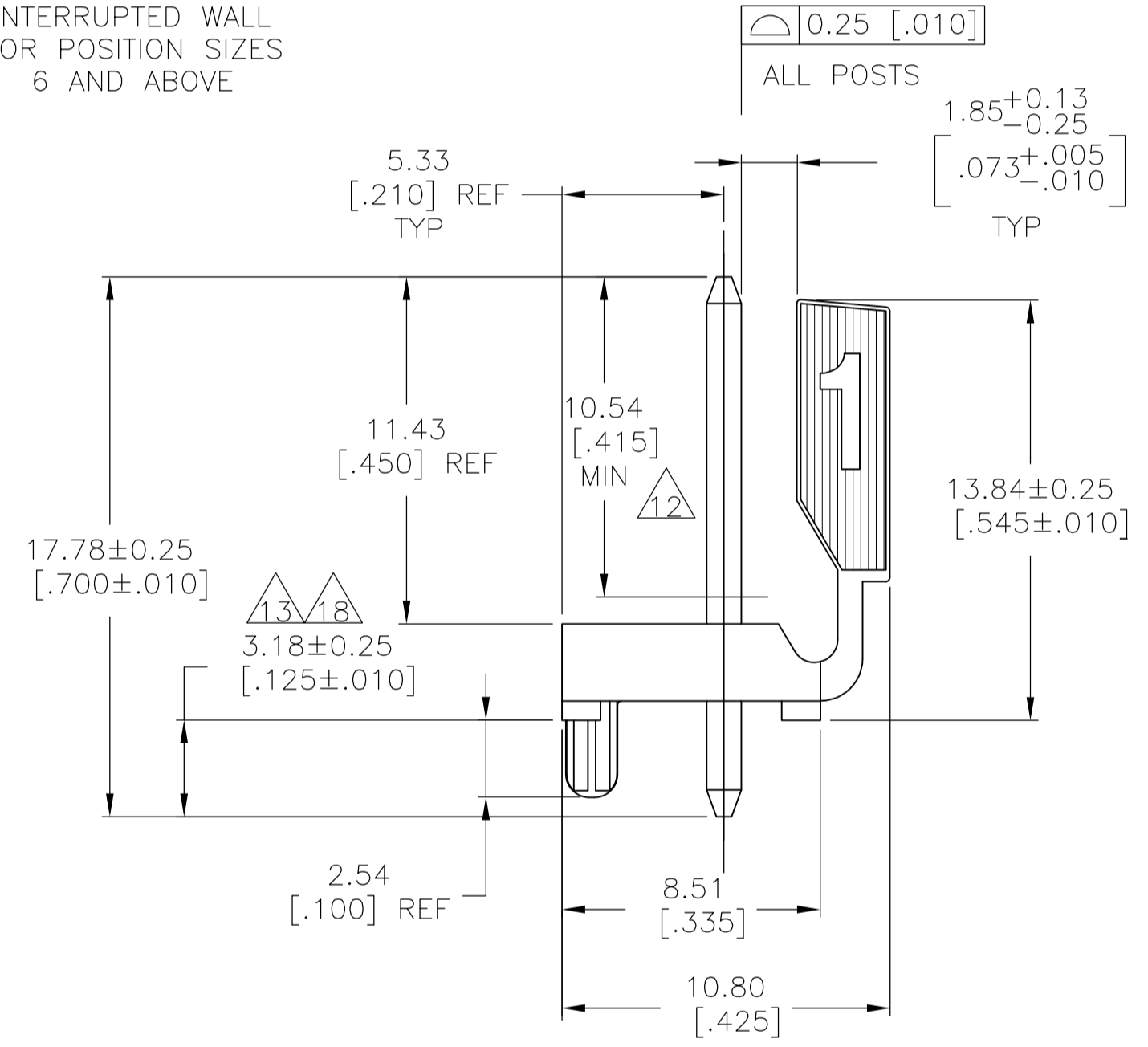
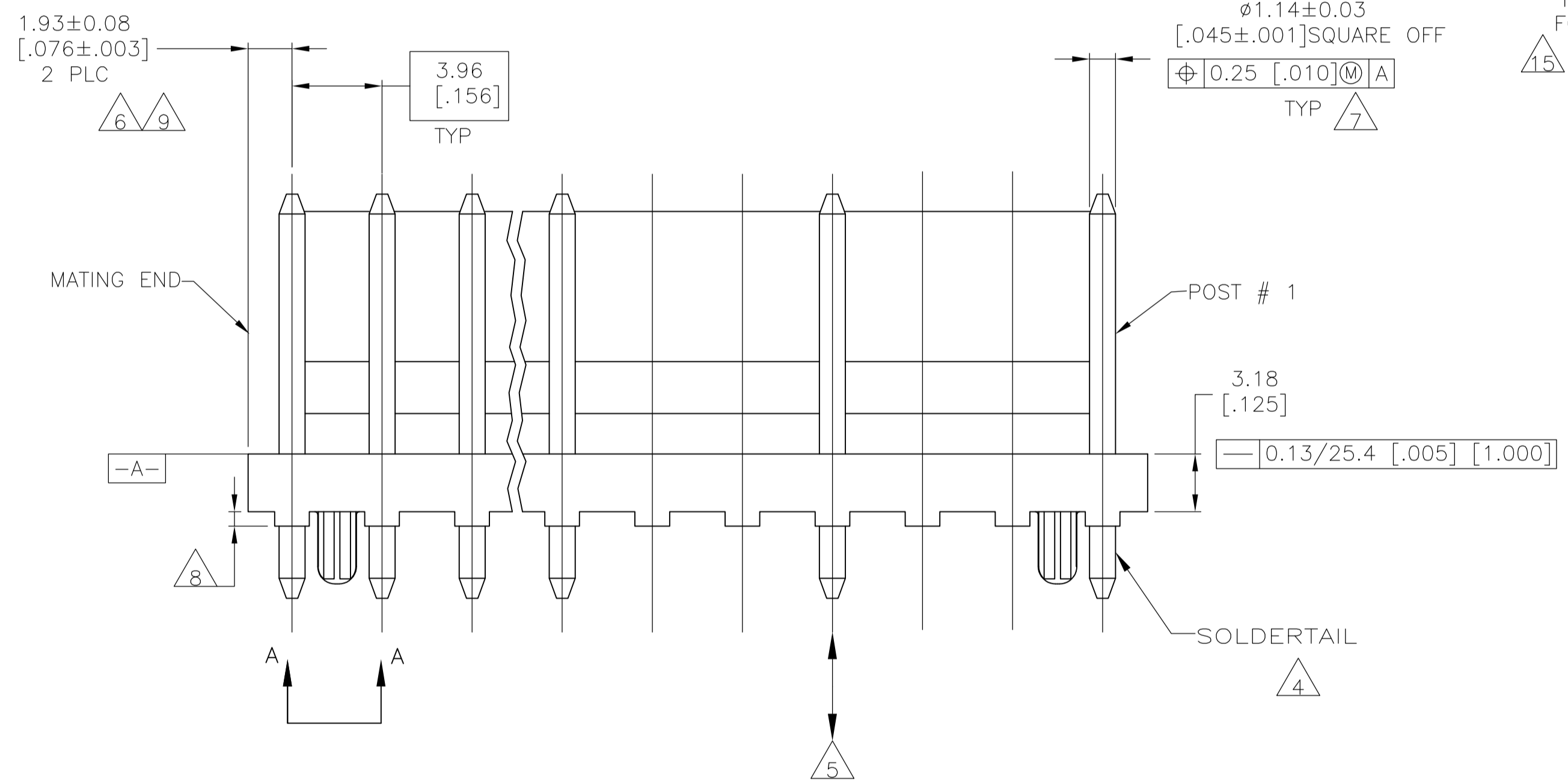
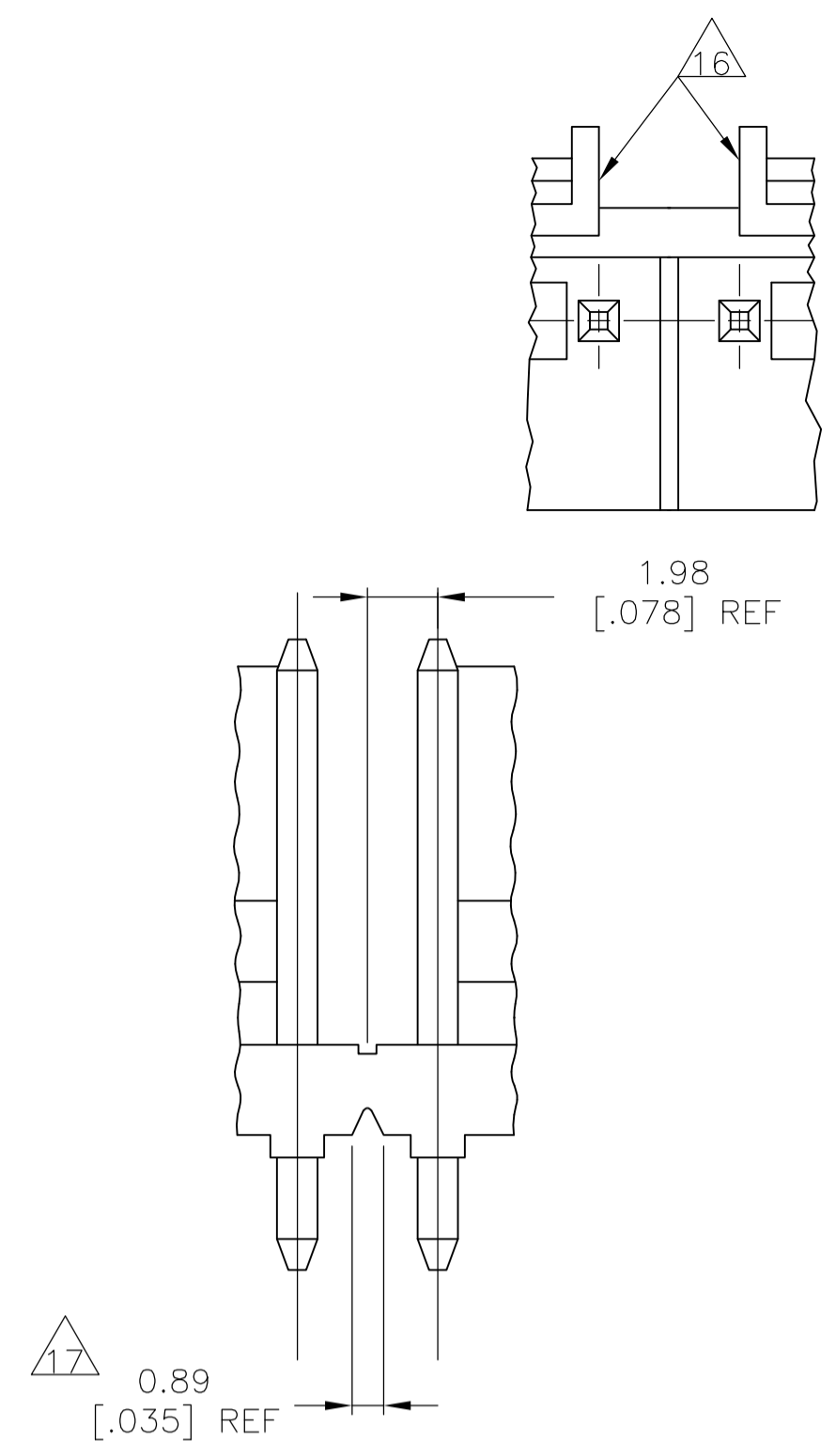
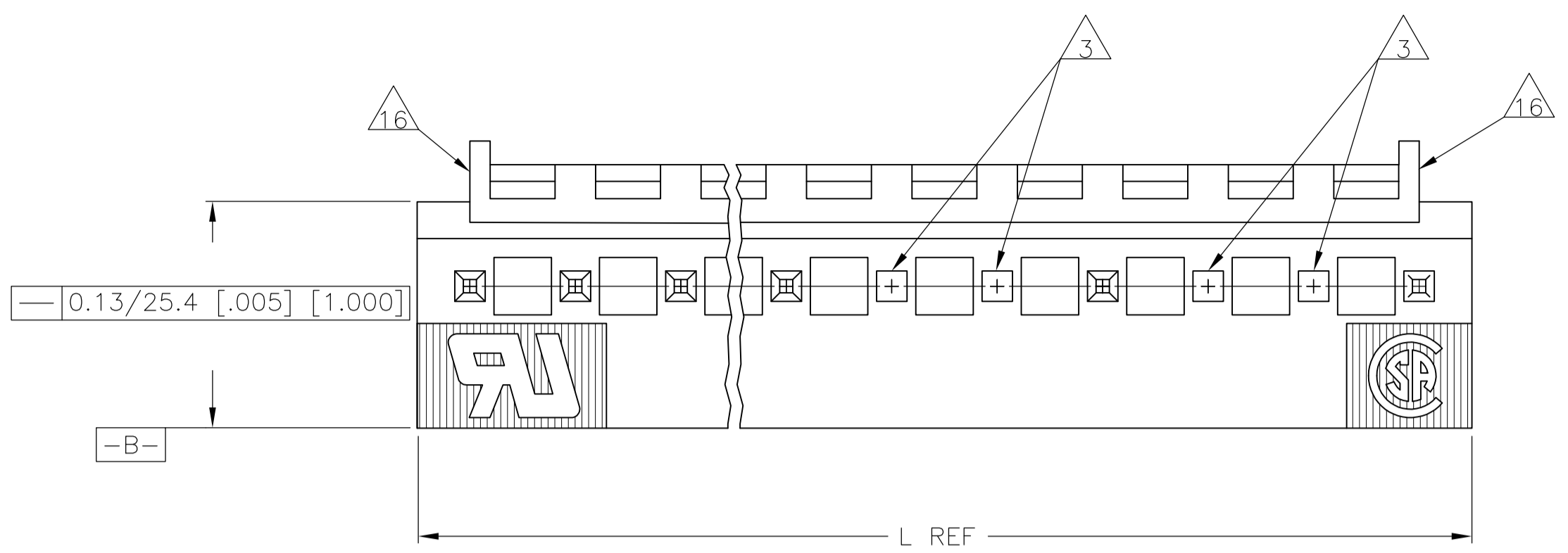


LOC		DIST		REVISIONS				
P	LTR	DESCRIPTION	DATE	DWN	APVD			
E		REVISED PER ECO-12-009789	01OCT12	KH	SM			



- 1 MATERIAL
HOUSING: THERMOPLASTIC POLYESTER, GLASS FILLED, UL94V-0.
POST: COPPER ALLOY
- 2 FINISH
HOUSING: NATURAL
POST: SEE NOTES 12 & 13 FOR PLATING.
- 3 POSTS NO. 2, 3, 5 & 6 OMITTED.
- 4 POST SOLDER TAILS COMPLY WITH AMP SOLDERABILITY SPEC 109-11-2.
- 5 POST WITHSTANDS 13.34N [3 LB] MIN AXIAL FORCE IN EITHER DIRECTION WITHOUT DISLODGING.
- 6 APPLIES AT -A-
- 7 APPLIES WHEN THE HEADER IS STRAIGHT.
- 8 PLASTIC PROJECTIONS PERMITTED IN THIS ZONE.
- 9 COORDINATE DIMENSIONS APPLIES FROM THE CENTER OF THE ACTUAL FEATURE.
- 10 SOLDER SIDE OF BOARD IS SHOWN.
- 11 THE RETENTION TABS PROVIDE A ONE-TIME INTERFERENCE FIT IN THE 1.63 [0.064] DIAMETER BOARD HOLE FOR HEADER ASSEMBLY DURING SOLDERING. FOUR TABS PER PEG, TWO PEGS PER HEADER ASSEMBLY.
- 12 PLATING: GOLD PLATE AREA, 0.00076 [0.000030] GOLD OR 0.00008 [0.000003] MIN GOLD FLASH OVER 0.00068 [0.000027] PALLADIUM NICKEL, PER TE CONNECTIVITY'S DISCRETION, ALL SIDES, OVER NICKEL UNDERPLATE, 0.00127 [0.000050] MIN, ALL SIDES AND ENTIRE LENGTH OF POST.
- 13 PLATING: BRIGHT TIN/LEAD (9/37) PLATE AREA, 0.00381-0.00889 [0.00150-0.000350] THICK, ALL FOUR SIDES, 3.18 [0.125] MIN FOR 1--2.
- 14 DIMENSIONS IN BRACKETS ARE IN INCHES.
- 15 ALL POSITION SIZES HAVE THE BACKWALL NOTCHED ON BOTH ENDS AS SHOWN. POSITION SIZES 6 AND ABOVE HAVE AN INTERRUPTED BACKWALL AT VARIOUS LOCATIONS (SEE TABLE FOR INTERRUPTION(S) LOCATIONS).
- 16 EDGE OF POLARIZING LOCK WALL TO BE IN LINE WITH CENTERLINE OF ADJACENT POST WITHIN ±0.13 [0.005].
- 17 NOTCH SHOWN MAY OR MAY NOT APPEAR.
- 18 PLATING: MATTE TIN PLATE AREA, 0.00381-0.00889 [0.00150-0.000350] THICK, ALL FOUR SIDES 3.18 [0.125] FOR 4--2.

FINISH	BACKWALL INTERRUPTION BETWEEN POST	L	NO OF POSITIONS	PART NO
12/18	4 & 5, 8 & 9	47.42 [1.867]	12	4-644788-2
12/13	4 & 5, 8 & 9	47.42 [1.867]	12	1-644788-2

THIS DRAWING IS A CONTROLLED DOCUMENT.		DIN T. BECK 9-17-96	TE Connectivity
DIMENSIONS: mm [INCHES]		CHK R. SWING 9-17-96	
TOLERANCES UNLESS OTHERWISE SPECIFIED:		APVD	NAME
0 PLC ± -	1 PLC ± -	PRODUCT SPEC	MTA-156 HEADER ASSEMBLY, POLARIZED LOCK, STRAIGHT .045 SQUARE POST, .000030 GOLD PLATED, WITH RETENTION
2 PLC ± 0.13 [0.005]	3 PLC ± -	APPLICATION SPEC	SIZE CAGE CODE DRAWING NO
4 PLC ± -	ANGLES ± -	WEIGHT	A1 00779 C=644788
MATERIAL 1	FINISH 2	CUSTOMER DRAWING	SCALE 5:1 SHEET 1 OF 1 REV E