

MODEL:

SRWF2U

SmartRack® Low-Profile Wall-Mount Rack Enclosure Cabinet



2 Rack Units



150 lb.
Load Rating



Sturdy Steel
Construction



Locking Door



Standard
19" Rack Width



Convenient
Cable Access



Adjustable
Mounting Rails



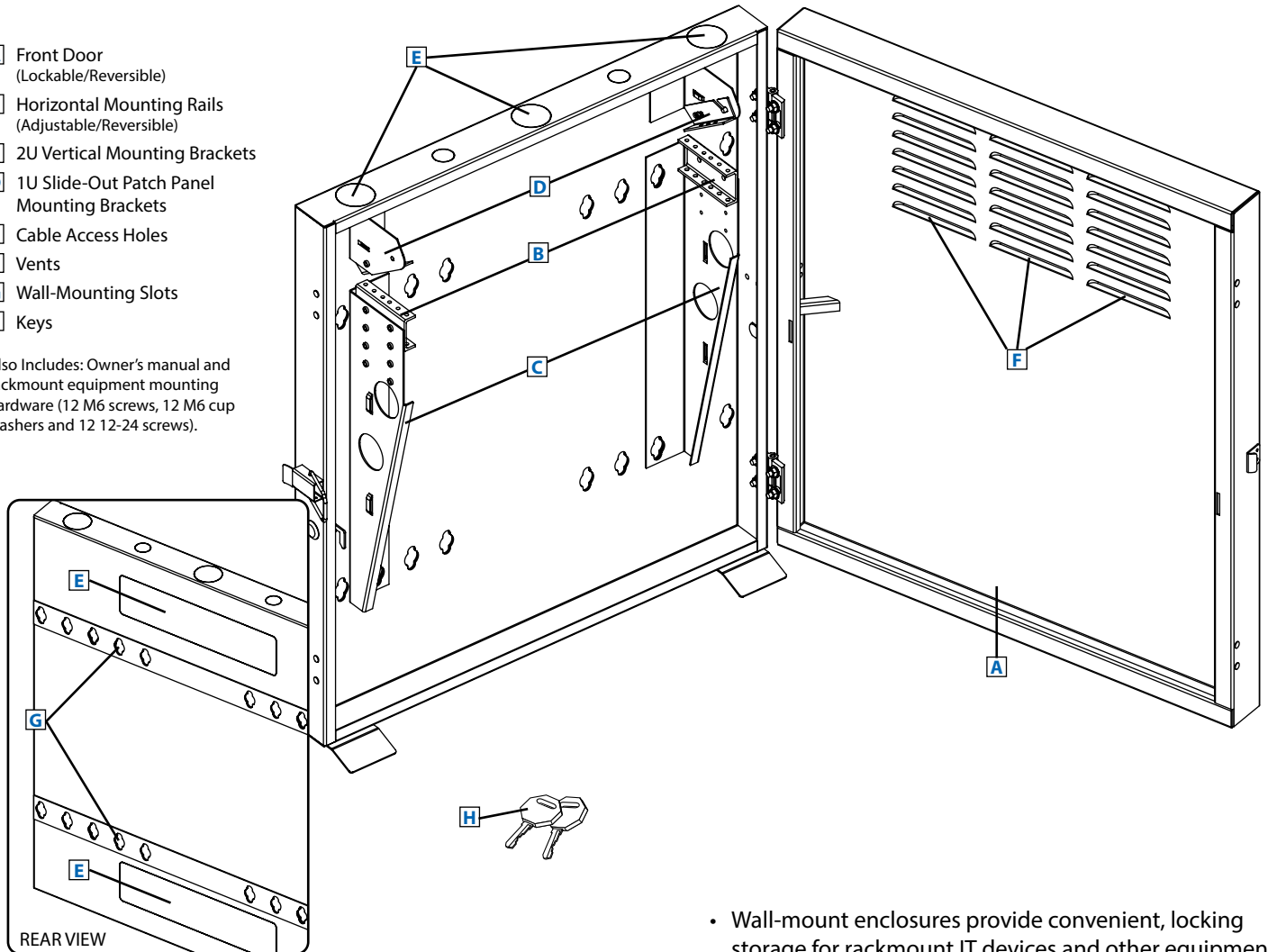
Ventilated for
Ample Airflow



Reversible Door

- A** Front Door
(Lockable/Reversible)
- B** Horizontal Mounting Rails
(Adjustable/Reversible)
- C** 2U Vertical Mounting Brackets
- D** 1U Slide-Out Patch Panel
Mounting Brackets
- E** Cable Access Holes
- F** Vents
- G** Wall-Mounting Slots
- H** Keys

Also Includes: Owner's manual and rackmount equipment mounting hardware (12 M6 screws, 12 M6 cup washers and 12 12-24 screws).



- Wall-mount enclosures provide convenient, locking storage for rackmount IT devices and other equipment that should be off the floor, out of the way and secure
- Low-profile design with vertical equipment mounting is ideal for back office or network closet applications where space is limited

SEE NEXT PAGE FOR DETAILED UNIT MEASUREMENTS



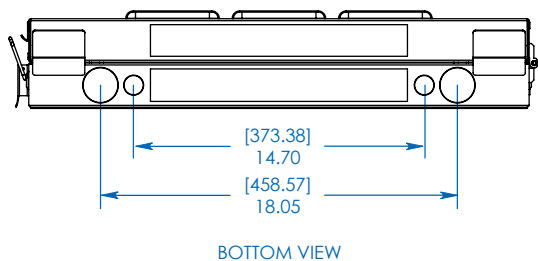
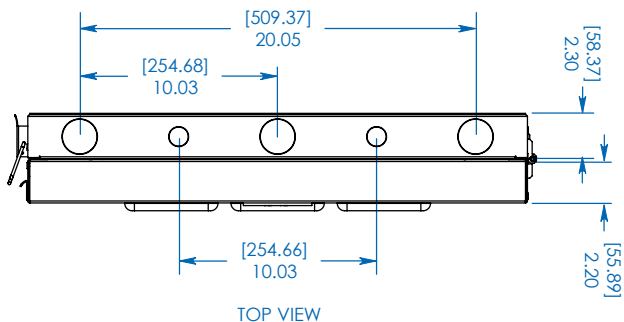
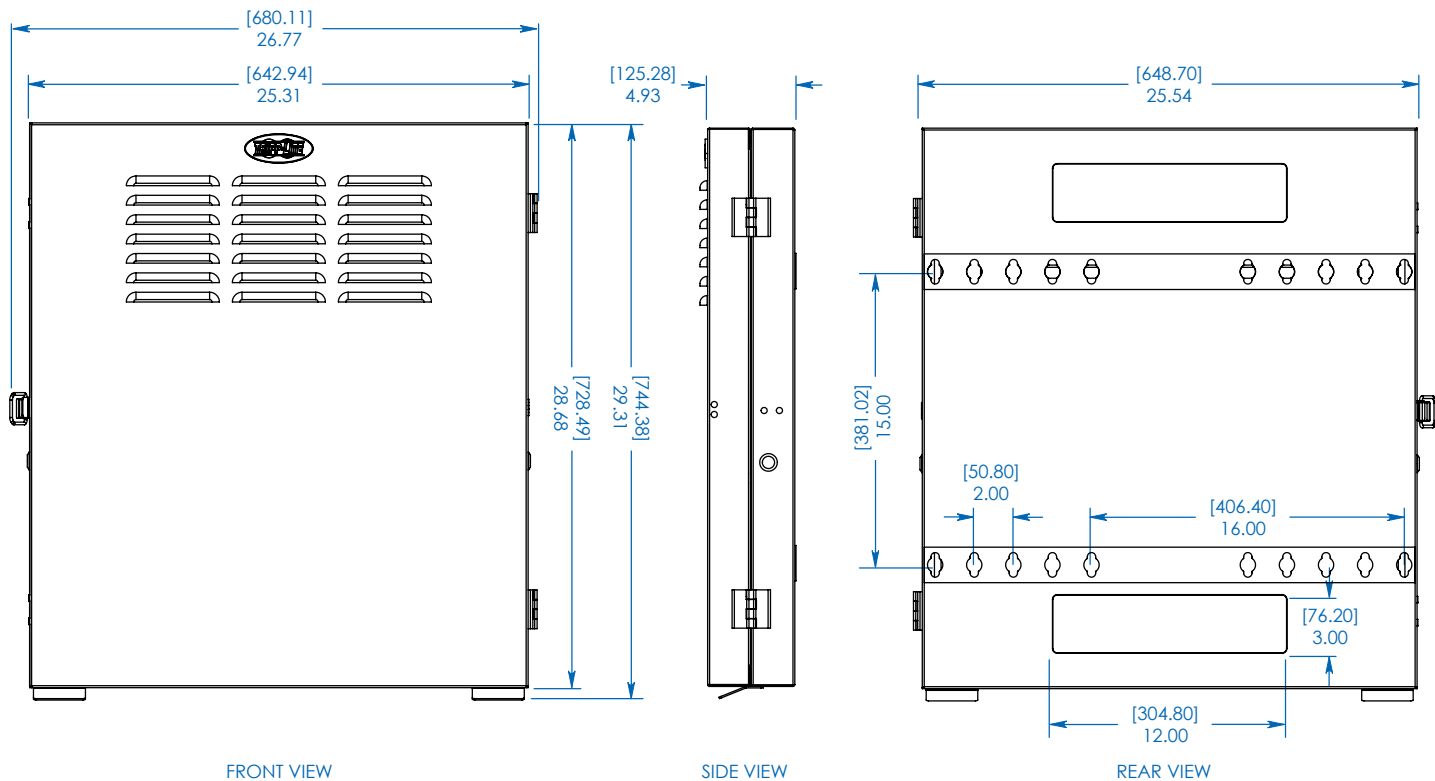
1111 W. 35th Street
Chicago, IL 60609 USA
773.869.1234
www.tripplite.com

Specifications

Model	SRWF2U
Rack Spaces	2U
Equipment Mounting Depth	Up to 20 in. / 508 mm
Load Rating*	150 lb. / 68 kg
Unit Dimensions (H x W x D)	28.8 x 25.6 x 4.5 in. / 732 x 650 x 114 mm
Shipping Dimensions (H x W x D)	34.25 x 31.1 x 9.44 in. / 870 x 790 x 240 mm
Unit Weight	51.4 lb. / 23 kg
Shipping Weight	54.7 lb. / 25 kg
Standards	Meets EIA-310-E, NOM, RoHS, PCI-DSS

* The load rating includes the combined weight of the unit and installed equipment. The unit must be mounted to a stable surface with user-supplied anchors capable of bearing the full load.





Dimensions: [mm] INCHES

Tripp Lite has a policy of continuous improvement. Specifications are subject to change without notice.

MODEL:
SRWF2U
TRIPP·LITE

1111 W. 35th Street
 Chicago, IL 60609 USA
 773.869.1234
 www.tripplite.com