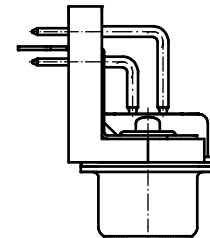
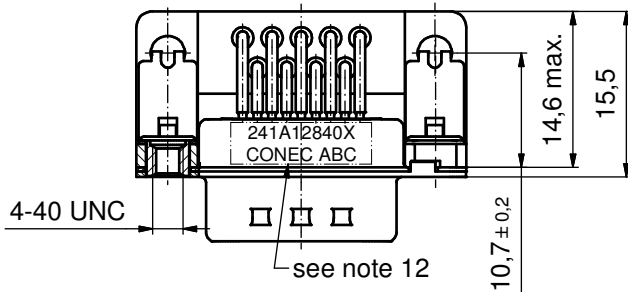
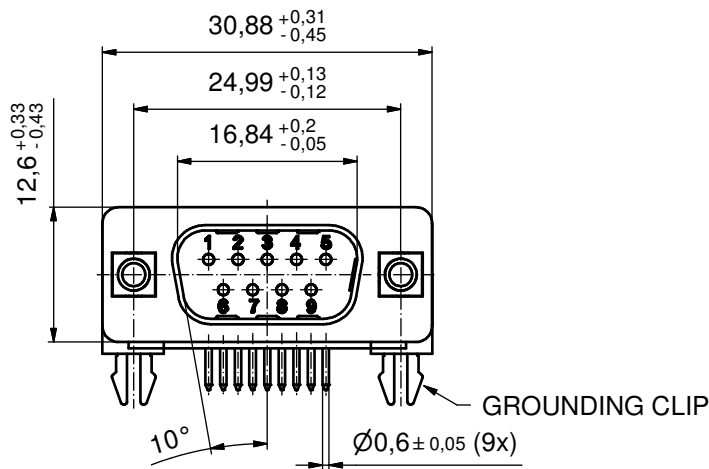
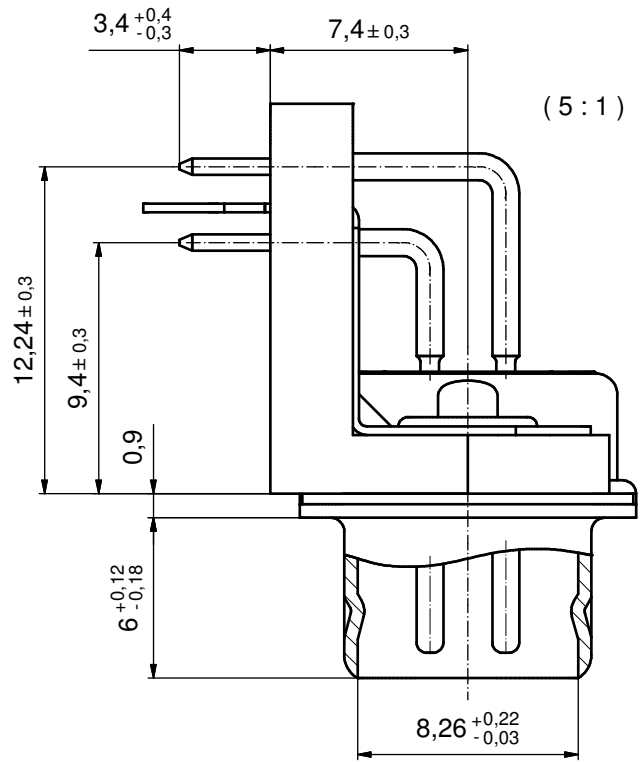
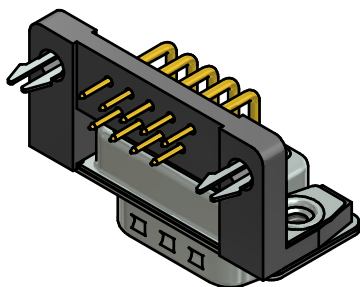


P.C.B. HOLE DRILLINGS (P.C.B. TOP SIDE)



NOTES:

1. RoHS COMPLIANT
2. FOR WAVESOLDERING (SOLDER BATH TEMPERATURE 260°C FOR 5 SEC. AND SOLDER PREHEAT 100°C FOR 30 SEC.)
3. METALSHELLS: STEEL; min. 315µm TIN over 40-80µm NICKEL
4. INSULATORS: HIGH TEMPERATURE PLASTIC UL 94 V-0, BLACK
5. CONTACTS: COPPER ALLOY
PLATING: GOLD FLASH over NICKEL
6. MOUNTING BRACKET: HIGH TEMPERATURE PLASTIC UL 94 V-0; BLACK
7. THREADED INSERTS: COPPER ALLOY; min. 200µm TIN over 80µm NICKEL
8. GROUNDING-CLIPS: COPPER ALLOY
PCB-HOLE: $\varnothing 3,1 \pm 0,1$; PCB THICKNESS 1,6mm
9. CAPACITANCE: 1300pF \pm 20%
10. DIELECTRIC WITHSTANDING VOLTAGE: 424 VDC
11. MAXIMUM TORQUE VALUE FOR THREAD: 6 in.LB
12. CONNECTOR IS PART MARKED: 241A12840X CONEC ABC



Directive 2002/95/EC RoHS compliant

| | | | | | |
|---|-----------|-------------|------------|---------------------|--|
| THIS DRAWING MAY NOT BE COPIED OR REPRODUCED IN ANY WAY, AND MAY NOT BE PASSED ON TO A THIRD PARTY WITHOUT WRITTEN PERMISSION. OWNERSHIP AND COPYRIGHT OF CONEC GmbH DO NOT ALTER CAD DRAWING BY HAND | tolerance | | dim. in mm | scale: 2:1 (5:1) | |
| | date | | | material: see notes | |
| | drawn | 20.12.10 | name | | title: D-SUB FILTER MALE 90° 9pos. SOLDER PIN ANGLED 0.370inch threaded insert, mounting bracket, grounding clip |
| | appd. | 21.12.10 | norm | | |
| | rev. | description | d-old | | |
| a Origin | | | | dwg no: 24K1A1295 | DIN-A3 |
| rev. description | | | | part no: 241A12840X | |