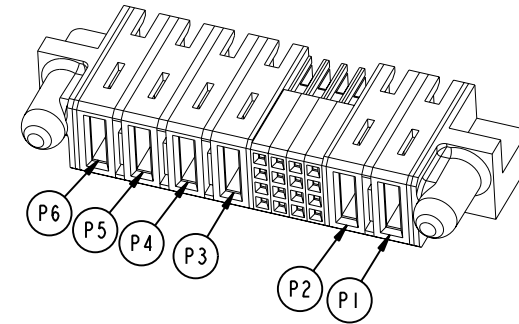
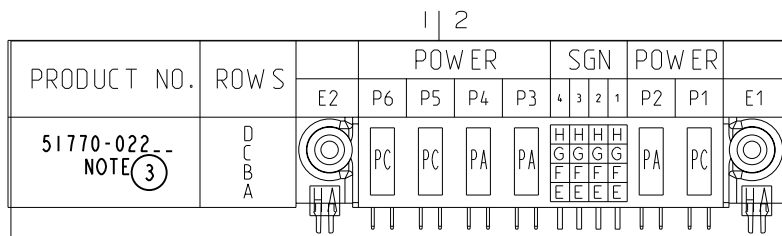


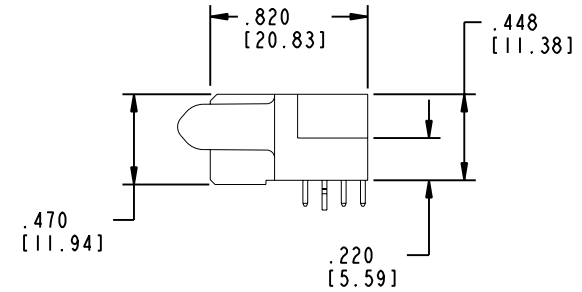
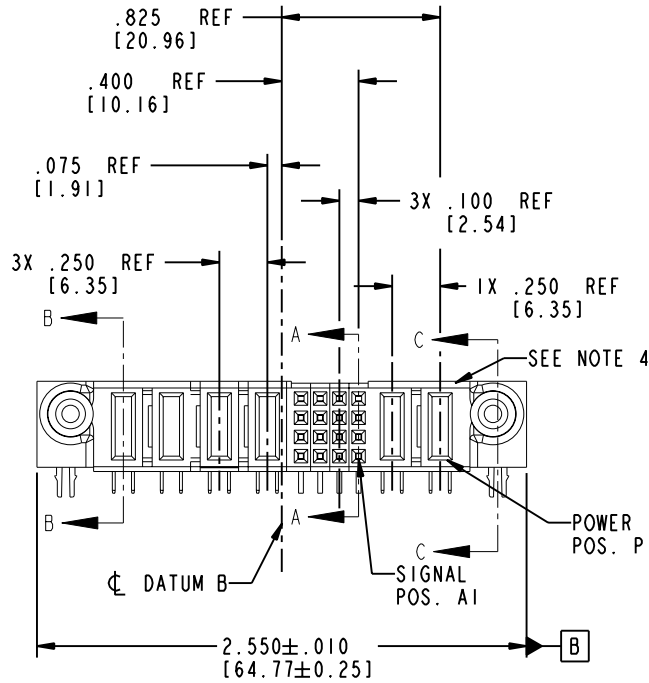
Tous droits strictement réservés. Reproduction ou communication a des tiers interdite sous quelque forme que ce soit sans autorisation écrite du propriétaire. Propriété de c FCI. Droits de reproduction FCI.

**FCI**

All rights strictly reserved. Reproduction or issue to third parties in any form, whenever is not permitted without written authority from the proprietor. Property of FCI. Copyright FCI.



TOP SIDE VIEW



CODE	DIM "M" MATING LENGTH	CONTACT TYPE
PA	.042 [1.07]	POWER
H	N/A [N/A]	SIGNAL
G	N/A [N/A]	SIGNAL
F	N/A [N/A]	SIGNAL
E	N/A [N/A]	SIGNAL
HA	N/A [N/A]	HOLD-DOWN
PC	.092 [2.34]	POWER

mat'l code		SEE NOTE 2		tolerances unless otherwise specified		CUSTOMER		 www.fciconnect.com	
ltr	ecn no.	dr	date	linear	.XX±.01/0.X±0.3	COPY		title	
A	DG05-0196	SW	06/28/05		.XXX±.005/0.XX±0.13	projection		2P + 16S + 4P	
B	DG05-0222	SW	07/14/05	angles	.XXX±.0020/0.XXX±0.051			R/A SOLDER RECEPTACLE	
				dr	STEVEN WANG 06/28/05	INCH/MM		product family	
				engr	STEVEN WANG 07/04/05	scale		PwrBlade	
				chr	VICTOR LIN 06/28/05	1:1		code	
				appd	JOSEPH HSIA 06/28/05			213	
sheet index	revision sheet	B 1	B 2	B 3	B 4			sheet 1 of 4	
								cage code	
								22526	

Pro/E

cage code 22526

PDM: Rev:B

STATUS: Released

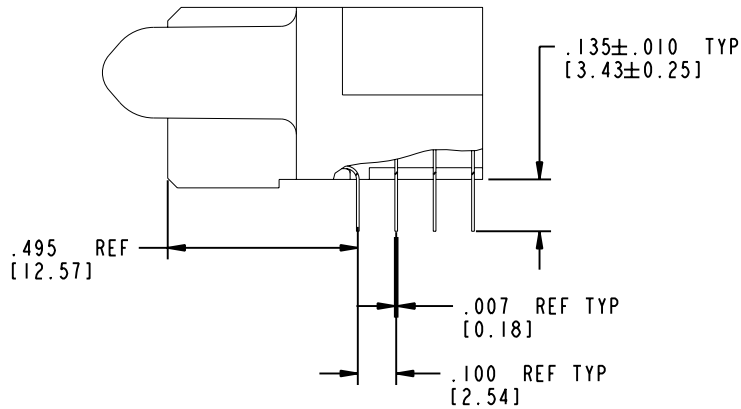
Printed: Dec 20, 2010

Tous droits strictement réservés. Reproduction ou communication a des tiers interdite sous quelque forme que ce soit sans autorisation écrite du propriétaire. Propriété de c FCI. Droits de reproduction FCI.

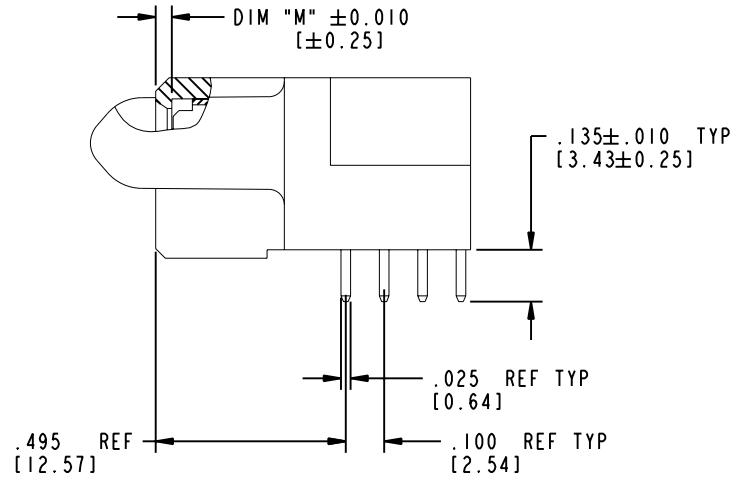
**A** FCI

All rights strictly reserved. Reproduction or issue to third parties in any form whatever is not permitted without written authority from the proprietor. Property of FCI. Copyright FCI.

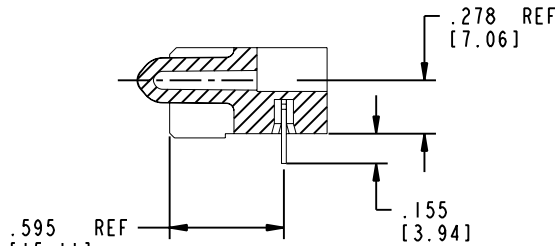
PRODUCT NUMBER  
**51770-022**  
 NOTE ③



BROKEN-OUT SECTION A-A  
 SCALE 2:1



BROKEN-OUT SECTION B-B  
 SCALE 2:1



SECTION C-C

mat'l code				SEE NOTE 2		tolerances unless otherwise specified		CUSTOMER		 www.fciconnect.com	
ltr	ecn no.	dr	date	linear	.XX±.01/0.X±0.3	projection		COPY		title	
B				angles	.XXX±.005/0.XX±0.13					2P + 16S + 4P	
				dr	.XXX±.0020/0.XX±0.051					R/A SOLDER RECEPTACLE	
				enr	0° ± 2°	INCH/MM		product family		code	
				chr	STEVEN WANG 06/28/05	scale		PwrBlade		213	
				appd	STEVEN WANG 07/04/05	1:1		size		sheet	
					VICTOR LIN 06/28/05			A		51770-022	
					JOSEPH HSIA 06/28/05					2 of 4	
sheet index	revision sheet										

Pro/E

cage code **22526**

PDM: Rev:B

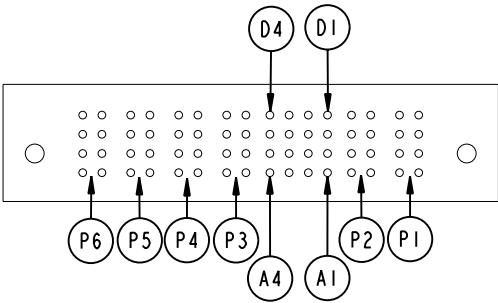
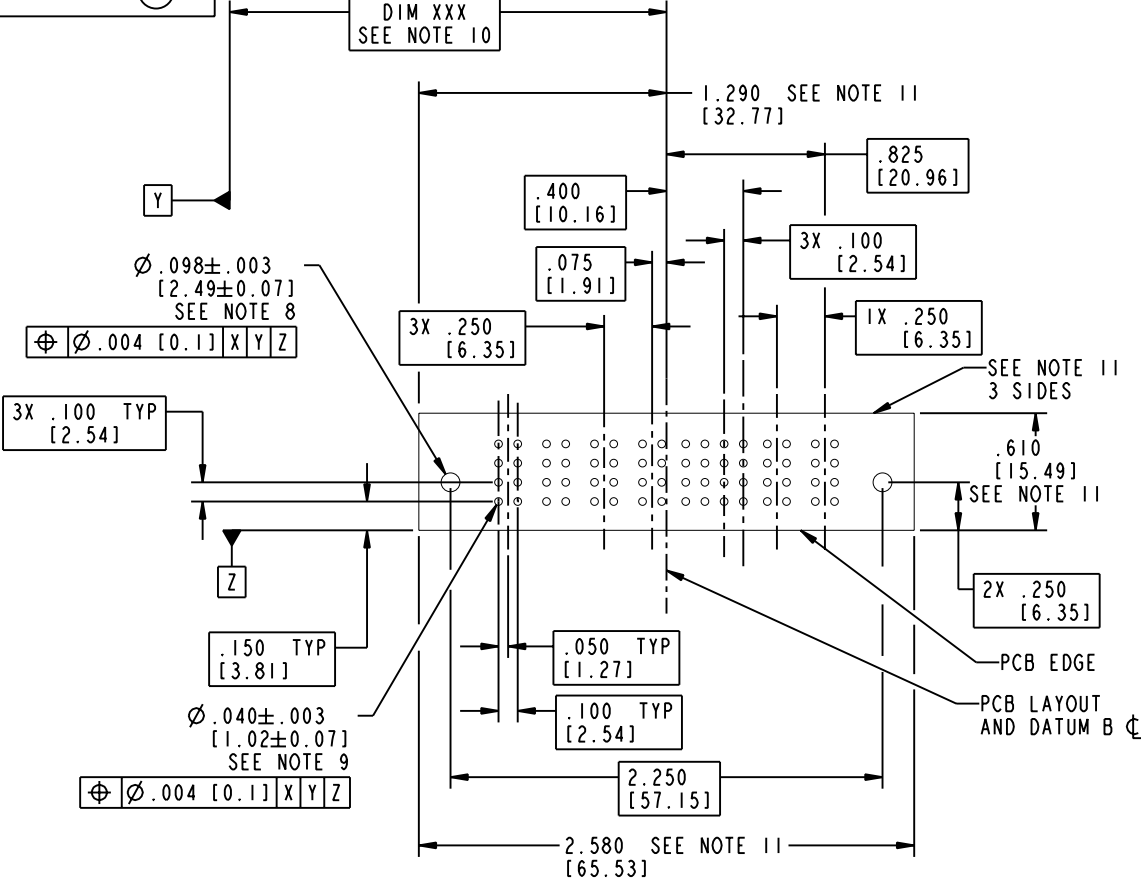
STATUS: Released

Printed: Dec 20, 2010

Tous droits strictement réservés. Reproduction ou communication a des tiers interdite sous quelque forme que ce soit sans autorisation écrite du propriétaire. Propriété de c FCI. Droits de reproduction FCI.

All rights strictly reserved. Reproduction or issue to third parties in any form whatever is not permitted without written authority from the proprietor. Property of FCI. Copyright FCI.

PRODUCT NUMBER  
**51770-022...**  
 NOTE ③



RECOMMENDED PCB LAYOUT  
 (TOP SIDE VIEW)  
 TOP SIDE OF PCB



mat'l code		SEE NOTE 2		tolerances unless otherwise specified		CUSTOMER		 www.fciconnect.com	
ltr	ecn no.	dr	date	linear	.XX±.01/0.X±0.3	COPY		title	
B				linear	.XXX±.005/0.XX±0.13	projection		2P + 16S + 4P	
				angles	.XXX±.0020/0.XX±0.051			R/A SOLDER RECEPTACLE	
				dr	STEVEN WANG 06/28/05	INCH/MM		product family	
				enr	STEVEN WANG 07/04/05	scale		PwrBlade	
				chr	VICTOR LIN 06/28/05	1:1		code	
				appd	JOSEPH HSIA 06/28/05			213	
sheet index	revision sheet							size	
								dwg no	
								51770-022	
								sheet	
								3 of 4	

Pro/E

cage code **22526**

Tous droits strictement réservés. Reproduction ou communication a des tiers interdite sous quelque forme que ce soit sans autorisation écrite du propriétaire. Propriété de c FCI. Droits de reproduction FCI.

**A**  
**FCI**

All rights strictly reserved. Reproduction or issue to third parties in any form, whenever is not permitted without written authority from the proprietor. Property of FCI. Copyright FCI.

**B**

PRODUCT NUMBER

**51770-022**  
**NOTE ③**

NOTES:

1. DIMENSIONS AND TOLERANCES ARE IN ACCORDANCE WITH ASME Y14.5M, 1994 UNLESS OTHERWISE SPECIFIED.

CONNECTOR NOTES:

② HOUSING MATERIAL: UL 94 V-0 GLASS FILLED  
HIGH-TEMP THERMOPLASTIC  
POWER CONTACT MATERIAL: COPPER ALLOY  
SIGNAL PIN MATERIAL: COPPER ALLOY

③ PLATING:

51770-022: SIGNAL PIN: 30u"/0.76um Au OVER 50u"/1.27um Ni ON THE WHOLE AREA  
AND 100u"/2.54um SnPb OVER 50u"/1.27um Ni ON THE TERMINATION AREA  
POWER PIN: 30u"/0.76um Au OVER 50u"/1.27um Ni ON THE CONTACT AREA  
AND 100u"/2.54um SnPb OVER 50u"/1.27um Ni ON THE TERMINATION AREA

51770-022LF: SIGNAL PIN: 30u"/0.76um Au OVER 50u"/1.27um Ni ON THE WHOLE AREA  
AND 78u"/2.00um Sn OVER 50u"/1.27um Ni ON THE TERMINATION AREA  
POWER PIN: 30u"/0.76um Au OVER 50u"/1.27um Ni ON THE CONTACT AREA  
AND 78u"/2.00um Sn OVER 50u"/1.27um Ni ON THE TERMINATION AREA


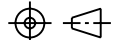


PART NUMBER 51770-022LF MEETS EUROPEAN UNION DIRECTIVE AND OTHER COUNTRY REGULATIONS AS DECCRIDED IN GS-22-008.

THE HOUSING WILL WITHSTAND EXPOSURE TO 260° PEAK TEMPERATURE FOR 10 SECONDS IN A WAVE SOLDER APPLICATION WITH A CIRCUIT BOARD.

④ MANUFACTURER'S NAME, P/N, AND DATE CODE TO APPEAR ON THIS SURFACE.  
5. PRODUCT SPECIFICATION GS-12-149.  
APPLICATION SPECIFICATION BUS-20-067.  
6. PACKAGED IN TRAYS.

PCB NOTES:

7. ALL HOLE DIAMETERS ARE FINISHED HOLE SIZE.  
⑧ MOUNTING HOLES, WHERE APPLICABLE, ARE UNPLATED.  
⑨  $\varnothing .0453 \pm .0010$  [1.151 ± 0.025] DRILLED HOLES PLATED WITH .0003 [0.008] MIN SnPb OVER .001 [0.03] TO .003 [0.08] Cu PLATING TO ACHIEVE  $\varnothing .040 \pm .003$  [1.02 ± .07] HOLE.  
⑩ "DIM XXX" TO BE DETERMINED BY THE CUSTOMER.  
⑪ CONNECTOR KEEP-OUT ZONE.

mat'l code				SEE NOTE 2		tolerances unless otherwise specified		CUSTOMER		 <b>FCI</b> www.fciconnect.com	
ltr	ecn no.	dr	date	linear	.XX±.01/0.X±0.3		COPY		title		
B					.XXX±.005/0.XX±0.13		projection		2P + 16S + 4P		
					.XXX±.0020/0.XX±0.051				R/A SOLDER RECEPTACLE		
				angles	0° ± 2°				product family		
				dr	STEVEN WANG	06/28/05	INCH/MM		PwrBlade		code
				enr	STEVEN WANG	07/04/05			size		213
				chr	VICTOR LIN	06/28/05	scale		dwg no		sheet
				appd	JOSEPH HSIA	06/28/05	1:1		A 51770-022		4 of 4
sheet index	revision sheet										

1 | 2

3 |

4

1 | 2

Pro/E

3 |

cage code **22526**

4

**PDM: Rev:B**

STATUS: **Released**

Printed: Dec 20, 2010