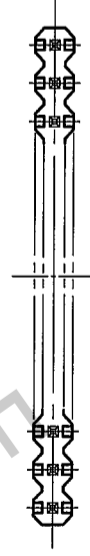
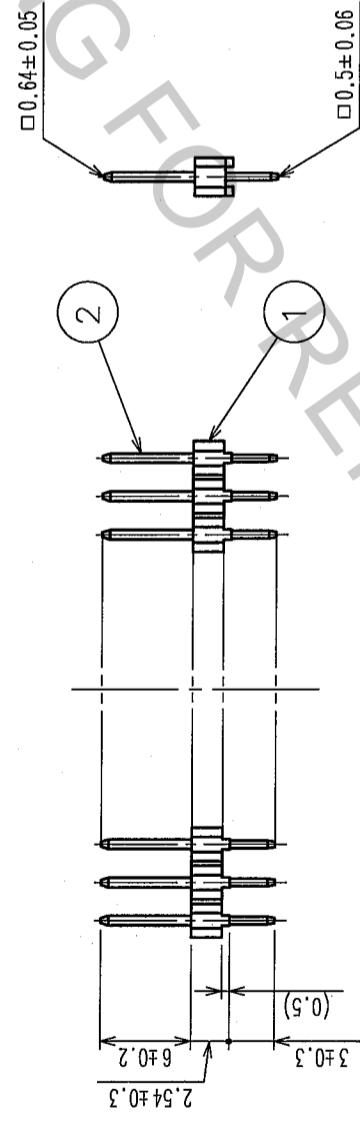
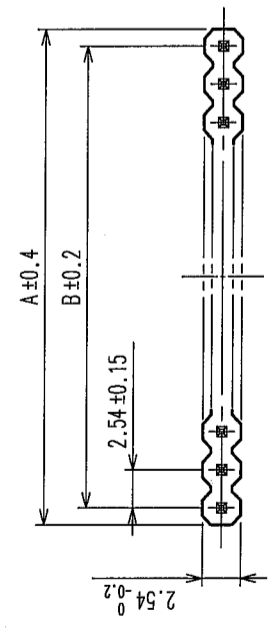
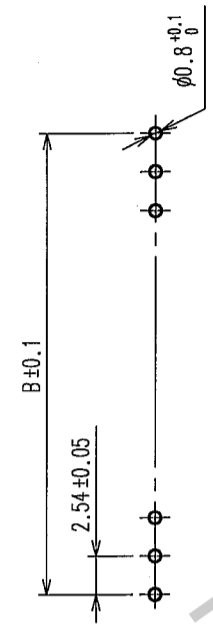


COUNT	DESCRIPTION OF REVISIONS	BY	CHKD	DATE	COUNT	DESCRIPTION OF REVISIONS	BY	CHKD	DATE
△					△				
△					△				
△					△				

RECOMMEND PC BOARD HOLE PATTERN



PART NO.	CODE NO.	A	B
A2-1PA-2.54DSA(71)	CL620-0051-5-71	1	2.24
A2-2PA-2.54DSA(71)	CL620-0052-8-71	2	4.78
A2-3PA-2.54DSA(71)	CL620-0053-0-71	3	7.32
A2-4PA-2.54DSA(71)	CL620-0054-3-71	4	9.86
A2-5PA-2.54DSA(71)	CL620-0055-6-71	5	12.40
A2-6PA-2.54DSA(71)	CL620-0056-9-71	6	14.94
A2-7PA-2.54DSA(71)	CL620-0057-1-71	7	17.48
A2-8PA-2.54DSA(71)	CL620-0058-4-71	8	20.02
A2-9PA-2.54DSA(71)	CL620-0059-7-71	9	22.56
A2-10PA-2.54DSA(71)	CL620-0060-6-71	10	25.10
A2-11PA-2.54DSA(71)	CL620-0061-9-71	11	27.64
A2-12PA-2.54DSA(71)	CL620-0062-1-71	12	30.18
A2-13PA-2.54DSA(71)	CL620-0063-4-71	13	32.72
A2-14PA-2.54DSA(71)	CL620-0064-7-71	14	35.26
A2-15PA-2.54DSA(71)	CL620-0065-0-71	15	37.80
A2-16PA-2.54DSA(71)	CL620-0066-2-71	16	40.34
A2-17PA-2.54DSA(71)	CL620-0067-5-71	17	42.88
A2-18PA-2.54DSA(71)	CL620-0068-8-71	18	45.42
A2-19PA-2.54DSA(71)	CL620-0069-0-71	19	47.96
A2-20PA-2.54DSA(71)	CL620-0070-0-71	20	50.50

NOTES 1. THE DIMENSIONS IN PARENTHESES ARE FOR REFERENCE.
 2. NUMBER OF CONTACTS.

1	POLYBUTYLENE TEREPHTHALATE	BLACK	UL94V-0	2	BRASS	CONTACT AREA : GOLD 0.2μ m min. DIP AREA : TIN-PLATING 2μ m min. UNDER PLATING : NICKEL 2.5μ m min.			
NO.	MATERIAL	FINISH, REMARKS	NO.	MATERIAL	FINISH, REMARKS				
CODE NO. (OLD)	CL								
DRAWN		DESIGNED		CHECKED		APPROVED		RELEASED	
A. SUZUKAWA		K. Doi		K. Ogawa		H. Okawa			
05.10.07		05.10.07		05.10.07		05.10.11			
DRAWING NO. EDC3-018389-21			PART NO. A2-20PA-2.54DSA(71)						
SCALE FREE			UNITS mm						
HRS			HIROSE ELECTRIC CO., LTD						
			CODE NO. CL620						

TO	
PCK	