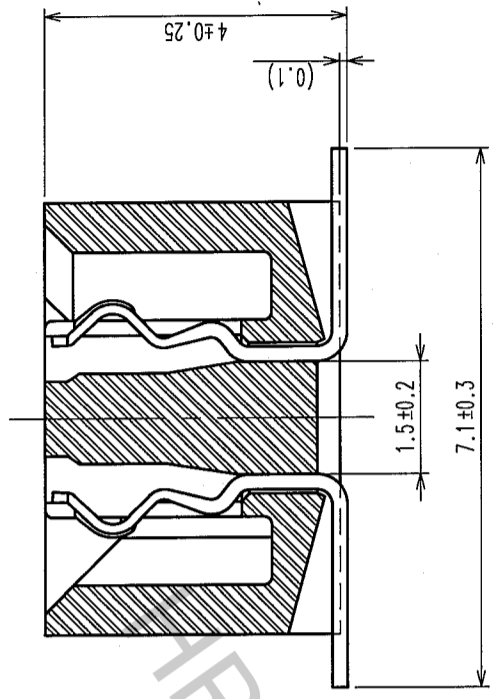


COUNT	DESCRIPTION OF REVISIONS	BY	CHKD	DATE	COUNT	DESCRIPTION OF REVISIONS	BY	CHKD	DATE
△					△				
△					△				
△					△				

A-A (10:1)

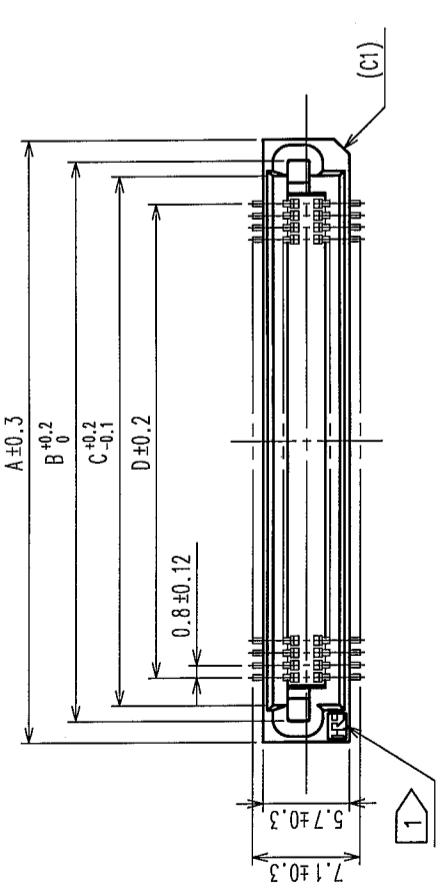


DIMENSION TABLE OF CONNECTOR AND P.C.B. LAND PATTERN

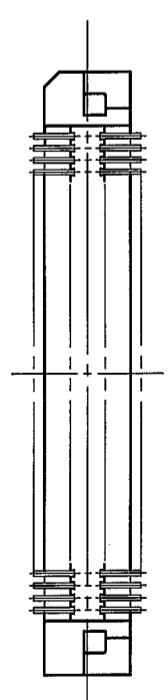
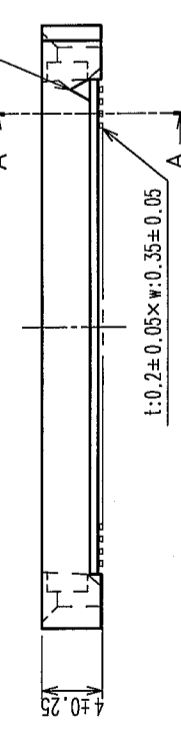
PART No.	CODE No.	6	A	B	C	D
FX6A-20S-0.8SV(93)	CL576-0301-7-93	20	15.8	12.95	10.9	7.2
FX6A-40S-0.8SV(93)	CL576-0303-2-93	40	23.8	20.95	18.9	15.2
FX6A-50S-0.8SV(93)	CL576-0304-5-93	50	27.8	24.95	22.9	19.2
FX6A-60S-0.8SV(93)	CL576-0305-8-93	60	31.8	28.95	26.9	23.2
FX6A-80S-0.8SV(93)	CL576-0307-3-93	80	39.8	36.95	34.9	31.2

- NOTE
- 1 HRS MARK SHALL BE OPTIONAL.
 - 2 LEAD CO-PLANARITY SHALL BE 0.1 MAX.
 - 3 EMBOSSED CARRIER TAPE PACKAGING SHALL BE APPLIED FOR THIS PRODUCT.
 - 4 THIS PRODUCT HAS TAPE FOR VACUUM PICKUP. SEE NEXT PAGE FOR DETAIL OF STICKING POSITION, ETC.
 - 5 FOR MODIFICATION, ETC, PREVENTIVE HOLE FOR SINK MARK MAY BE ADDED ACCORDING TO CIRCUMSTANCES.
 - 6 NUMBER OF CONTACTS.
 - 7 THE DIMENSIONS IN PARENTHESES ARE FOR REFERENCE.

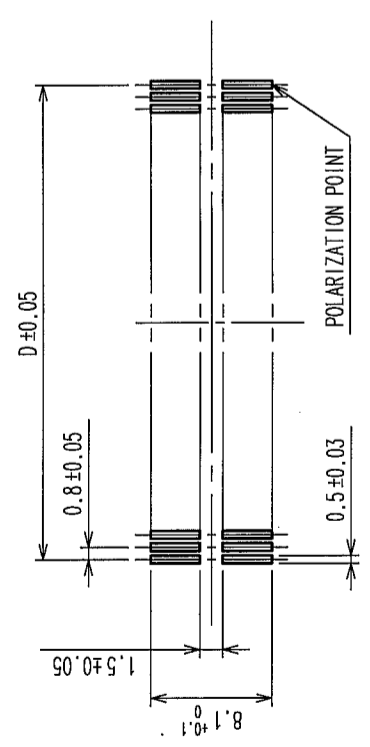
1	POLYPHENYLENE SULFIDE	LIGHT BROWN (UL94V-0)	2	PHOSPHOR BRONZE	CONTACT AREA: GOLD 0.1μm min. LEAD AREA: TIN-PLATING 1μm min. UNDER PLATING: NICKLE 2μm min.
NO.	MATERIAL	FINISH, REMARKS	NO.	MATERIAL	FINISH, REMARKS
CODE NO. (OLD)			DESIGNED	CHECKED	APPROVED
			DRAWN		RELEASED
			T. YANAGISAWA		<i>T. Yanagisawa</i>
			'05.08.04	'05.08.05	'05.08.05
DRAWING NO.	EDC3-152949-23		PART NO.	FX6A-S-0.8SV(93)	
SCALE	FREE		CODE NO.	CL576	
UNITS	mm				



POLARIZATION MARK



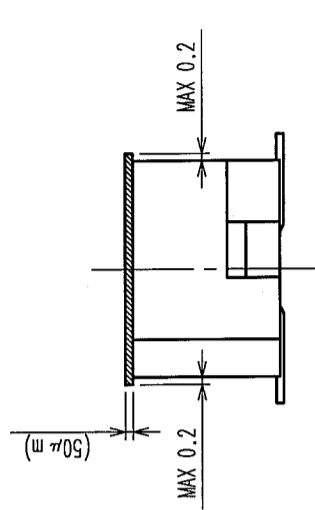
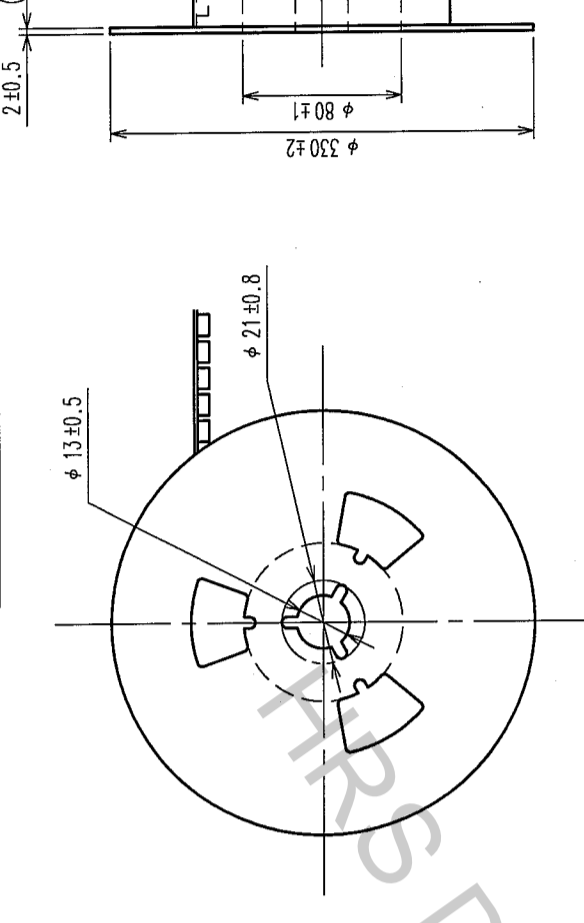
RECOMMENDED P.C.B. LAND PATTERN (MOUNT SIDE)



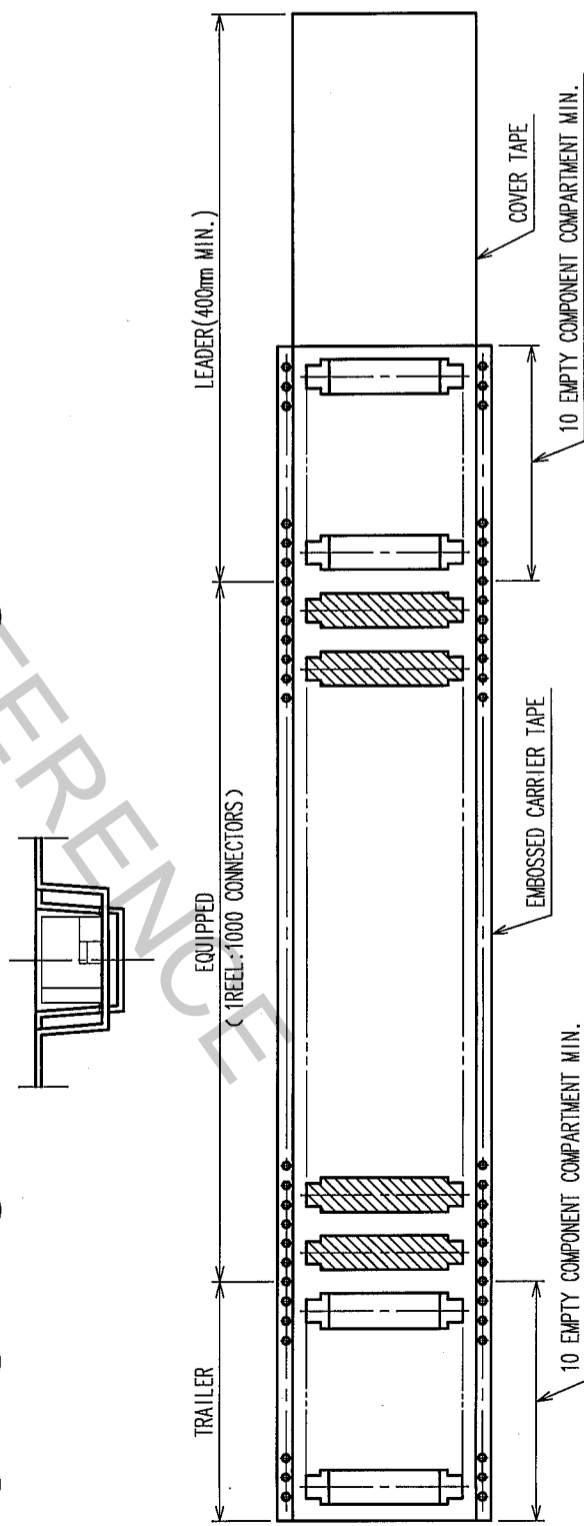
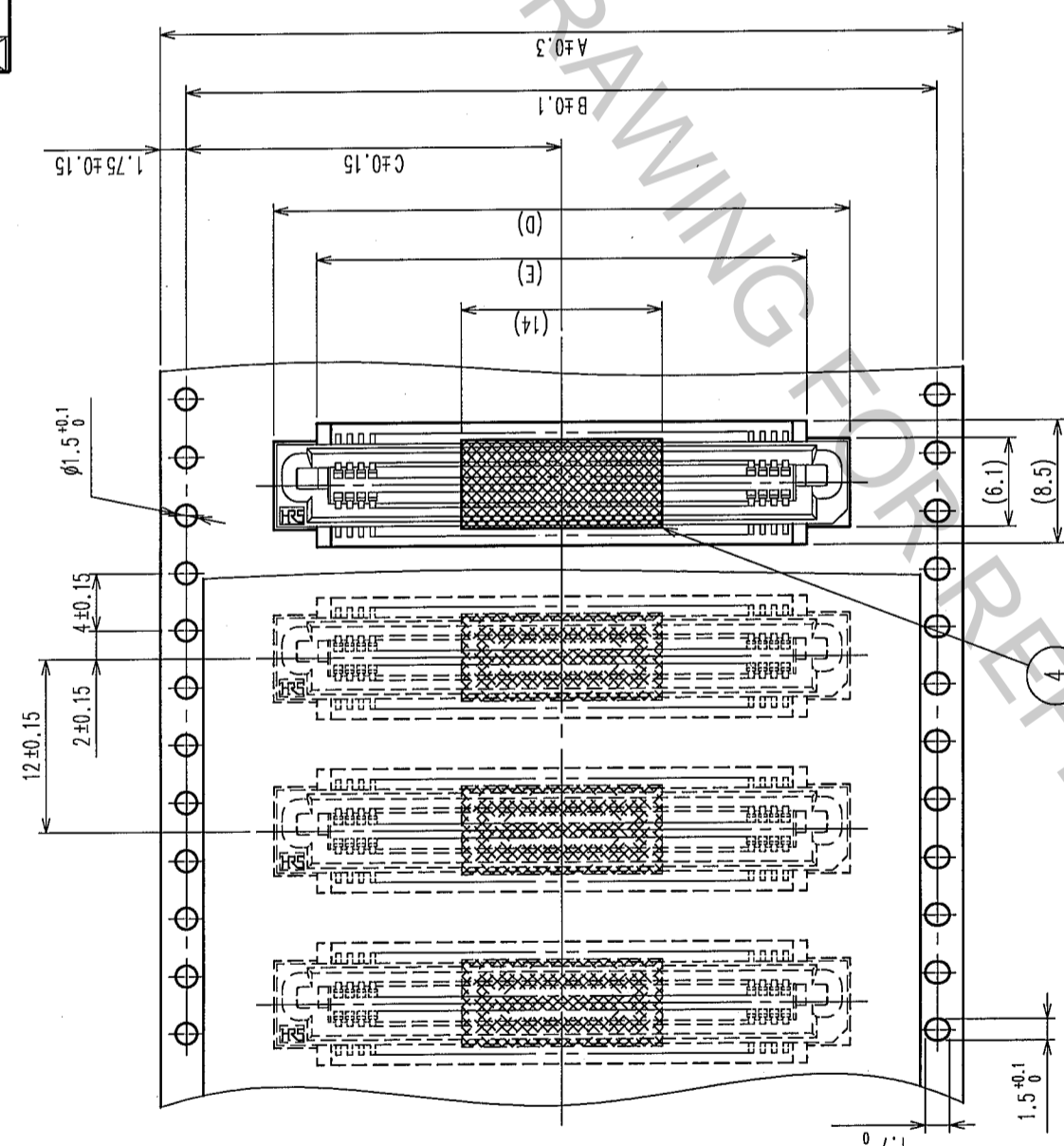
TO	
PCK	

COUNT	DESCRIPTION OF REVISIONS	BY	CHKD	DATE	COUNT	DESCRIPTION OF REVISIONS	BY	CHKD	DATE

STYLE AND DIMENSIONS OF REEL (FREE)



DETAIL OF TAPE FOR VACUUM PICK-UP(5:1)



DIMENSION TABLE OF EMBOSSED CARRIER TAPE AND REEL.

PART No.	CODE No.	A	B	C	D	E	F
FX6A-20S-0.8SV(93)	CL576-0301-7-93	24.0	11.5	16.2	10.2	24.4	24.4
FX6A-40S-0.8SV(93)	CL576-0303-2-93	44.0	40.4	20.2	24.2	18.2	44.4
FX6A-50S-0.8SV(93)	CL576-0304-5-93	44.0	40.4	20.2	28.2	20.2	44.4
FX6A-60S-0.8SV(93)	CL576-0305-8-93	44.0	40.4	20.2	32.2	26.2	44.4
FX6A-80S-0.8SV(93)	CL576-0307-3-93	56.0	52.4	26.2	40.2	34.2	58.0

NO.	MATERIAL	FINISH, REMARKS	NO.	MATERIAL	FINISH, REMARKS
2	POLYESTER	COVER TAPE	4	POLYIMIDE	TAPE FOR VACUUM PICK-UP
1	POLYSTYRENE	EMBOSSED CARRIER TAPE	3	(CONNECTOR)	(CONNECTOR)

NOTE 1 THE DIMENSIONS IN PARENTHESES ARE FOR REFERENCE.
 2 REEL : 1000 CONNECTORS.
 3 NUMBER OF CONTACTS.