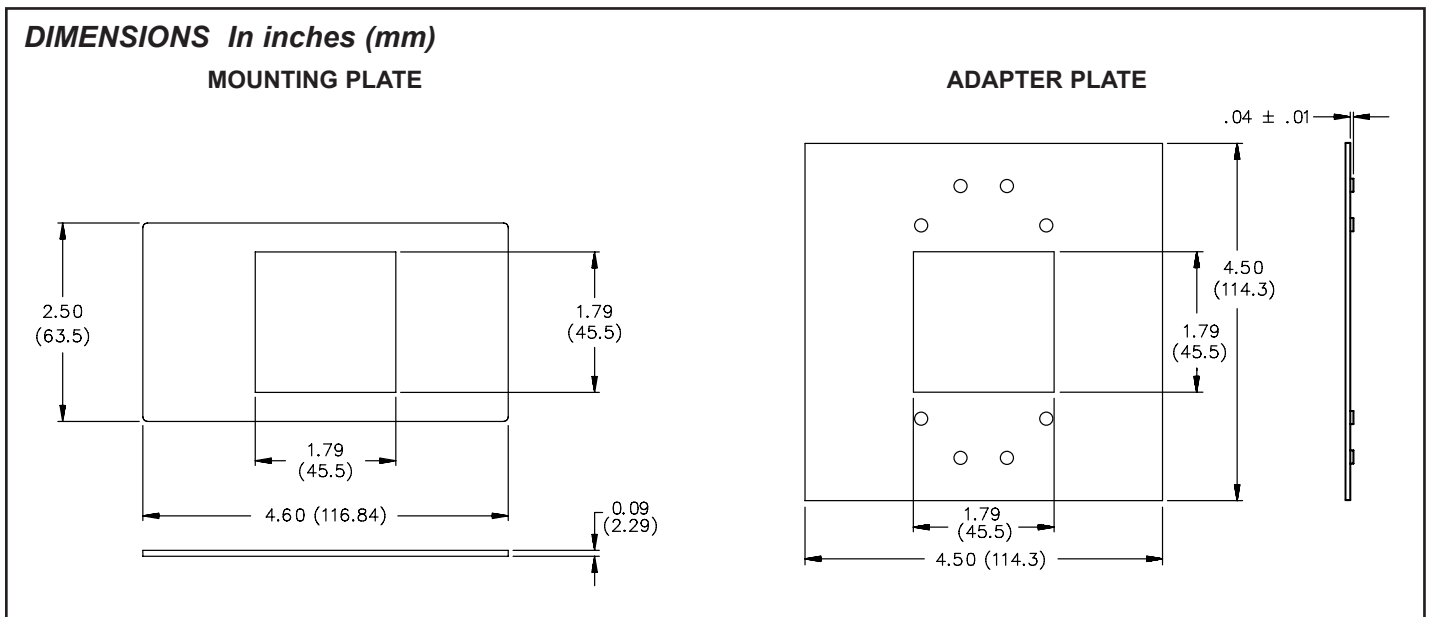


PANEL MOUNT ADAPTER KIT - 1/8 DIN TO 1/16 DIN

The panel mount adapter kit is used to mount 1/16 DIN instruments into existing vertical or horizontal 1/8 DIN panel cut-outs. The kit includes two black painted durable steel mounting plates and a sponge rubber gasket. The Adapter Kit, when used with a unit which has NEMA 4/IP65 specifications, will meet NEMA 4/IP65 requirements when properly installed. Red Lion Controls 1/16 DIN products include Temperature and Process Control Units (Models T48, and P48), and the C48 units.

ORDERING INFORMATION

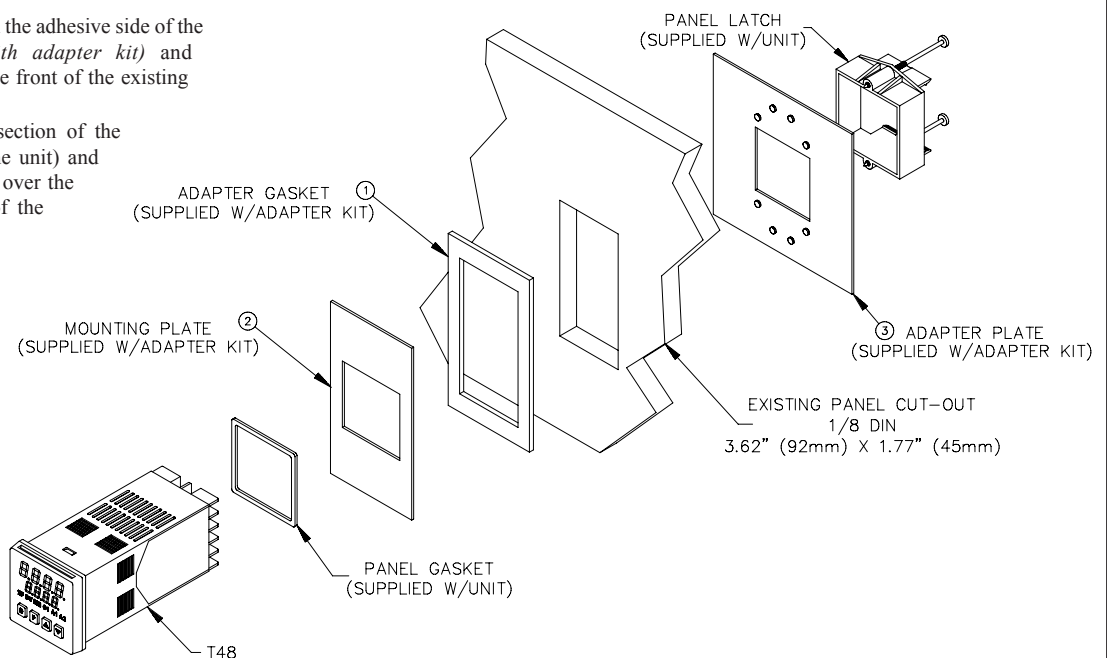
MODEL NO.	DESCRIPTION	PART NUMBER
PMK6	Panel Mount Adapter Kit (1/8 DIN to 1/16 DIN)	PMK60000



INSTALLATION

TYPICAL VERTICAL MOUNT INSTALLATION

1. Remove the paper backing from the adhesive side of the adapter gasket (included with adapter kit) and carefully apply the gasket to the front of the existing panel cut-out.
2. Carefully remove the center section of the panel gasket (provided with the unit) and discard. Slide the panel gasket over the rear of the unit to the back of the bezel.
3. Slide the mounting plate over the rear of the unit to the back of the unit bezel.
4. Insert the unit with mounting plate into the panel cut-out from the front. Slide the adapter plate over the rear of the unit. The protrusion on the adapter plate is designed to fit into the existing 1/8 DIN panel cut-out to properly position the unit.
5. Refer to the installation section of the manual, supplied with the unit, to complete the installation.



PANEL MOUNT ADAPTER KIT - 1/8 DIN TO CUB5

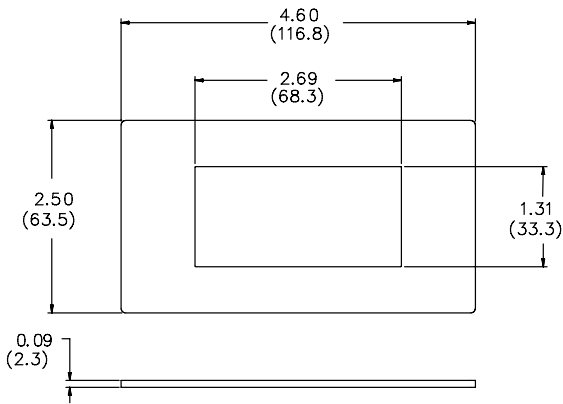
The panel mount adapter kit is used to mount CUB5 units into existing 1/8 DIN panel cut-outs. The kit includes two black painted durable steel mounting plates and a sponge rubber gasket. The Adapter Kit, when used with a unit which has NEMA 4/IP65 specifications, will meet NEMA 4/IP65 requirements when properly installed. Red Lion Controls CUB5 products include Counters, Timers, Temperature, Process and Rate units.

ORDERING INFORMATION

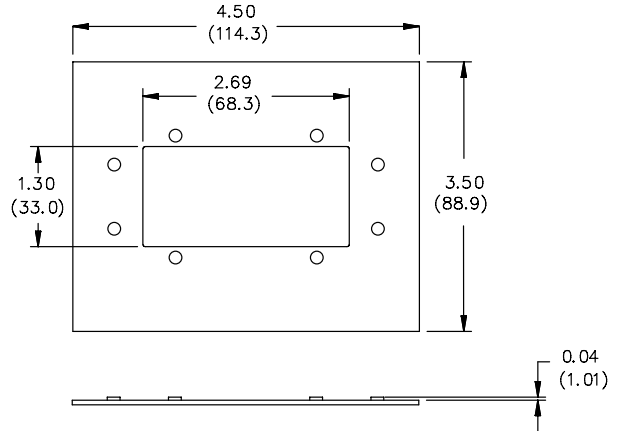
MODEL NO.	DESCRIPTION	PART NUMBER
PMK6A	Panel Mount Adapter Kit (1/8 DIN to CUB5)	PMK6A000

DIMENSIONS In inches (mm)

MOUNTING PLATE



ADAPTER PLATE



INSTALLATION

TYPICAL HORIZONTAL MOUNT INSTALLATION

1. Remove the paper backing from the adhesive side of the adapter gasket (included with adapter kit) and carefully apply the gasket to the front of the existing panel cut-out.
2. Carefully remove the center section of the panel gasket (provided with the unit) and discard. Slide the panel gasket over the rear of the unit to the back of the bezel.
3. Slide the mounting plate over the rear of the unit to the back of the unit bezel.
4. Insert the unit with mounting plate into the panel cut-out from the front. Slide the adapter plate over the rear of the unit. The protrusion on the adapter plate is designed to fit into the existing 1/8 DIN panel cut-out to properly position the unit.
5. Refer to the installation section of the manual, supplied with the unit, to complete the installation.

