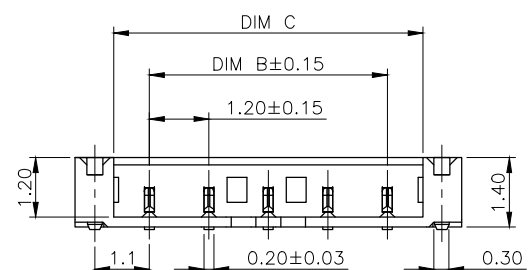
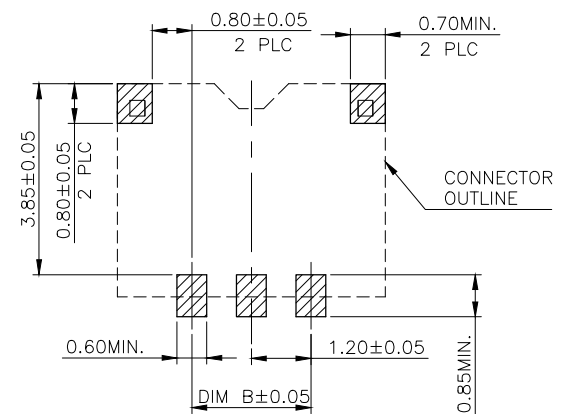
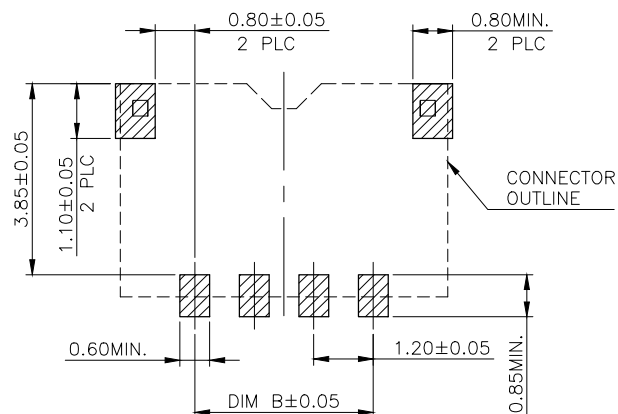
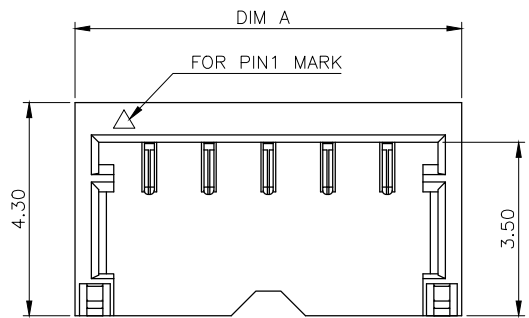
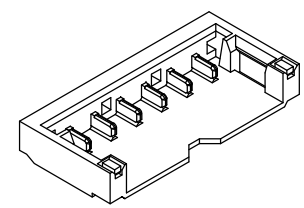
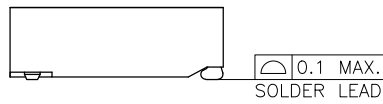


LOC	DIST	REVISIONS					
DW		P	LTR	DESCRIPTION	DATE	DWN	APVD
		A4		REVISED (ECO-14-003225)	25AUG'14	S.W	H.L



RECOMMENDED PCB LAYOUT ONLY FOR 4~6 PIN

RECOMMENDED PCB LAYOUT ONLY FOR 2 & 3 PIN



- NOTE:
- MATERIAL:
 - HOUSING: LCP WITH 30% GF, UL 94V-0, BLACK COLOR.
 - CONTACTS: PHOSPHOR BRONZE 0.20±0.05mm THICKNESS.
 - PEGS: BRASS 0.30±0.05mm THICKNESS.
 - FINISH:
 - CONTACTS: GOLD FLASH PLATED ON CONTACT AREA, WITH ENTIRE CONTACT GOLD FLASH PLATED OVER 1.27um [50u"] MIN. NICKEL UNDERPLATED OVERALL.
 - PEGS: 2.54um [100u"] MIN. MATTE-TIN OVER 1.27um [50u"] MIN. NICKEL UNDERPLATED OVERALL.
 - REFLOW SOLDER CAPABLE TO 260°C PER TYCO TEST SPEC. 109-201, CONDITION B.
 - NO TYCO LOGO AND DATE CODE ON THE PRODUCT.
 - RECOMMENDED TO MATE WITH TE 1909783-X

0.067g	7.44	6.0	9.0	06	1909782-5
0.053g	6.24	4.8	7.8	05	1909782-4
0.040g	5.04	3.6	6.6	04	1909782-3
0.027g	3.84	2.4	5.4	03	1909782-2
0.015g	2.64	1.2	4.2	02	1909782-1
WEIGHT	C	B	A	NO. OF CONTACTS	PART NUMBER
	DIMENSIONS				

THIS DRAWING IS A CONTROLLED DOCUMENT.		DWN F. YANG 20MAY2009	TE Connectivity		
DIMENSIONS: mm		CHK S. CHIEN 20MAY2009			
TOLERANCES UNLESS OTHERWISE SPECIFIED:		APVD W. KODAMA 20MAY2009	NAME		
0 PLC ± - 1 PLC ± 0.3 2 PLC ± 0.25 3 PLC ± 0.15 4 PLC ANGLES ± 3°		PRODUCT SPEC 108-57767	1.2mm PITCH, BOARD TO WIRE CONNECTOR WAFER, TOP ENTRY		
MATERIAL SEE NOTE	FINISH SEE NOTE	APPLICATION SPEC	SIZE A3	CAGE CODE 00779	DRAWING NO C=1909782
MATERIAL SEE NOTE		FINISH SEE NOTE	WEIGHT SEE TABLE	RESTRICTED TO	
CUSTOMER DRAWING			SCALE	SHEET 1 OF 3	REV A4

4

3

2

1

THIS DRAWING IS UNPUBLISHED.

RELEASED FOR PUBLICATION

© COPYRIGHT 2011

BY TYCO ELECTRONICS CORPORATION.

ALL RIGHTS RESERVED.

LOC

DIST

REVISIONS

P

LTR

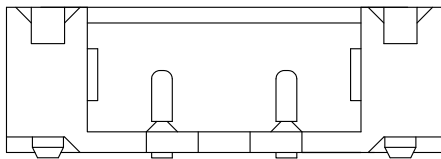
DESCRIPTION

DATE

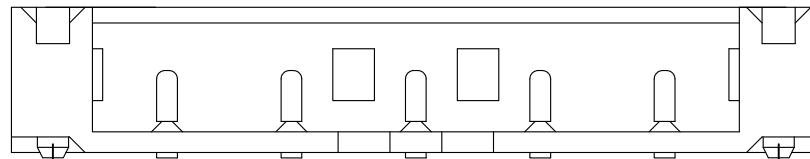
DWN

APVD

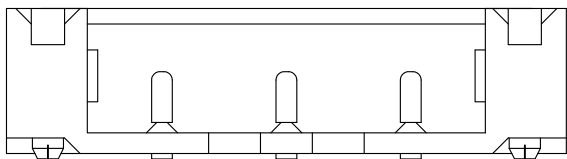
SEE SHEET 1.



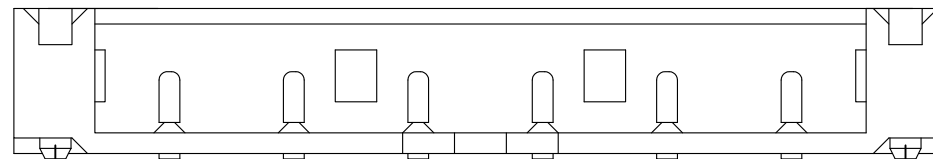
FOR 2 PIN



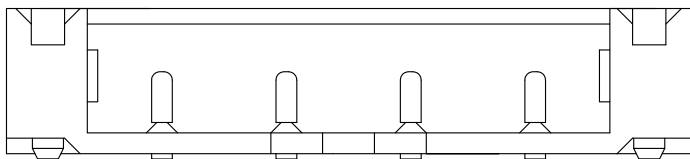
FOR 5 PIN



FOR 3 PIN



FOR 6 PIN



FOR 4 PIN

THIS DRAWING IS A CONTROLLED DOCUMENT.

DWN

CHK

APVD

PRODUCT SPEC

APPLICATION SPEC

WEIGHT

CUSTOMER DRAWING



TE Connectivity

NAME

1.2mm PITCH, BOARD TO WIRE CONNECTOR
WAFER, TOP ENTRYX

SIZE

CAGE CODE

DRAWING NO

RESTRICTED TO

A3

00779

G=1909782

SCALE

SHEET

2 OF 3

REV A4

DIMENSIONS:

mm



TOLERANCES UNLESS OTHERWISE SPECIFIED:

0 PLC ± -

1 PLC ± 0.3

2 PLC ± 0.2

3 PLC ± 0.15

4 PLC ± -

ANGLES ± 3°

MATERIAL

FINISH

THIS DRAWING IS UNPUBLISHED.

RELEASED FOR PUBLICATION

© COPYRIGHT 2011 BY TYCO ELECTRONICS CORPORATION.

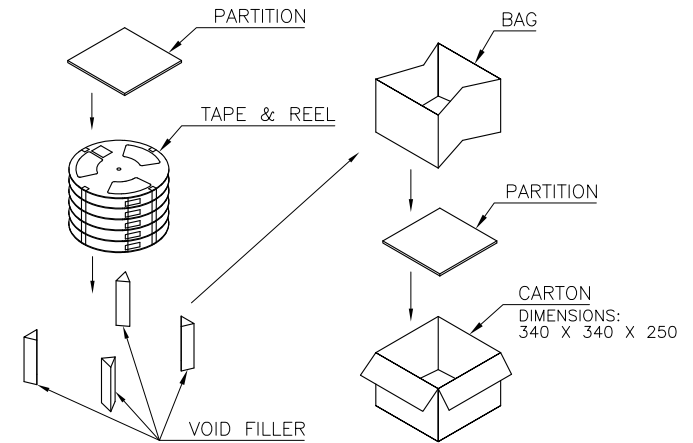
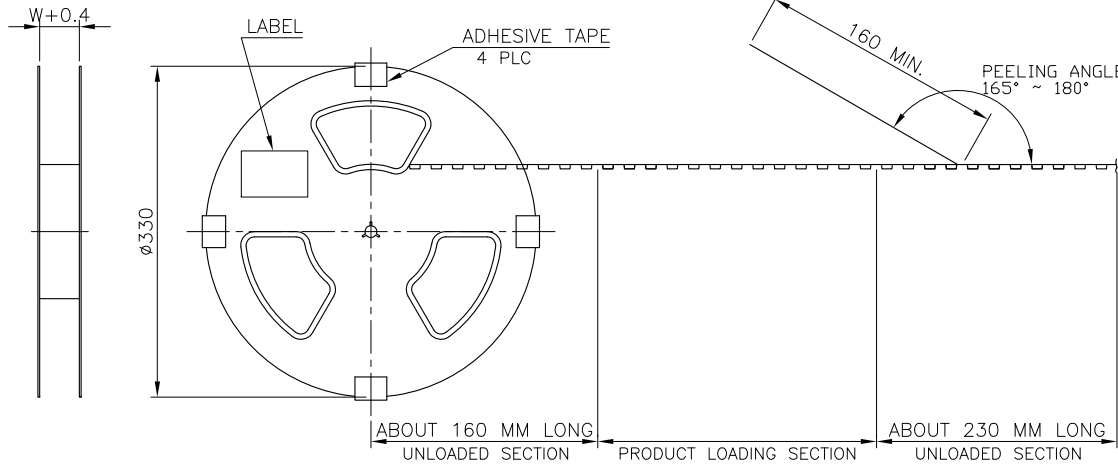
ALL RIGHTS RESERVED.

LOC DW

DIST

REVISIONS

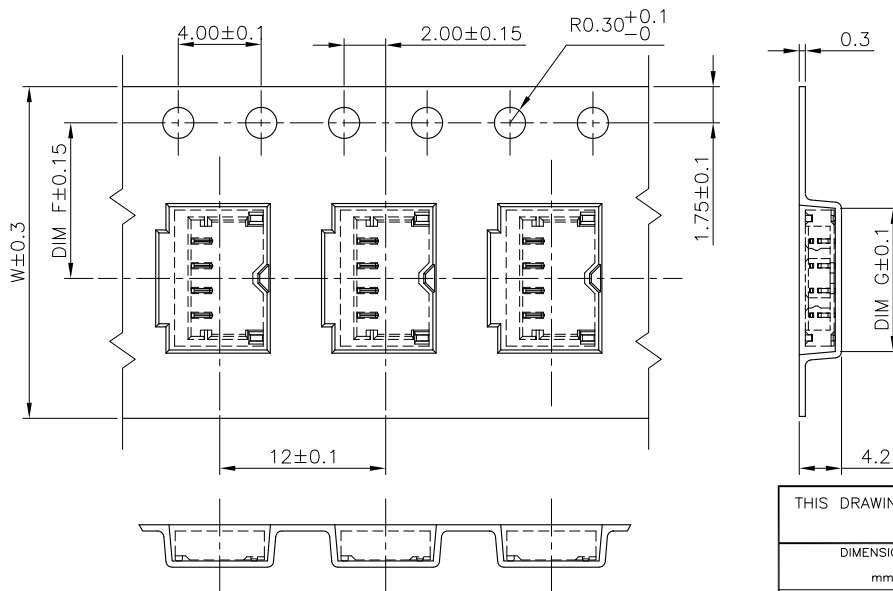
P	LTR	DESCRIPTION	DATE	DWN	APVD
		SEE SHEET 1.			



NOTES :

- MATERIAL :
 - COVER TAPE : P.S., COLOR: TRANSPARENT
 - CARRIER TAPE : P.S.
 - PARTITION : EPE
 - BOX: CORRUGATED FIBER
- DIMENSION :
 - REEL : SEE DRAWING
 - BOX : SEE DRAWING
- CARRIER TAPES, COVER TAPES, REELS AND TAPED COMPONENTS MUST MEET THE REQUIREMENTS DEFINED PER EIA-481-B.
- PEELING RESISTANCE : 10gf~130gf
- PEELING SPEED : 300mm/MINUTES

TOP OF TAPE →



9.35	24.0	11.50	4000	7	28000	6.71	2.11	06	1909782-5
8.15	16.0	7.50	4000	7	28000	5.94	1.67	05	1909782-4
6.95	16.0	7.50	4000	7	28000	5.53	1.26	04	1909782-3
5.75	16.0	7.50	4000	7	28000	5.12	0.85	03	1909782-2
4.55	12.0	5.50	4000	7	28000	4.66	0.47	02	1909782-1
DIM G	DIM W	DIM F	PCS/TAPE	REELS/CARTON	QUANTITY (PCS)	G/W (Kg)	N/W (Kg)	NO. OF CONTACTS	PART NUMBER

THIS DRAWING IS A CONTROLLED DOCUMENT.

DWN _____
CHK _____
APVD _____

NAME _____

1.2mm PITCH, BOARD TO WIRE CONNECTOR
WAFER, TOP ENTRY

PRODUCT SPEC _____
APPLICATION SPEC _____

SIZE A3 CAGE CODE 00779 G=1909782 DRAWING NO _____ RESTRICTED TO _____

MATERIAL _____ FINISH _____ WEIGHT _____

CUSTOMER DRAWING SCALE _____ SHEET 3 of 3 REV A4