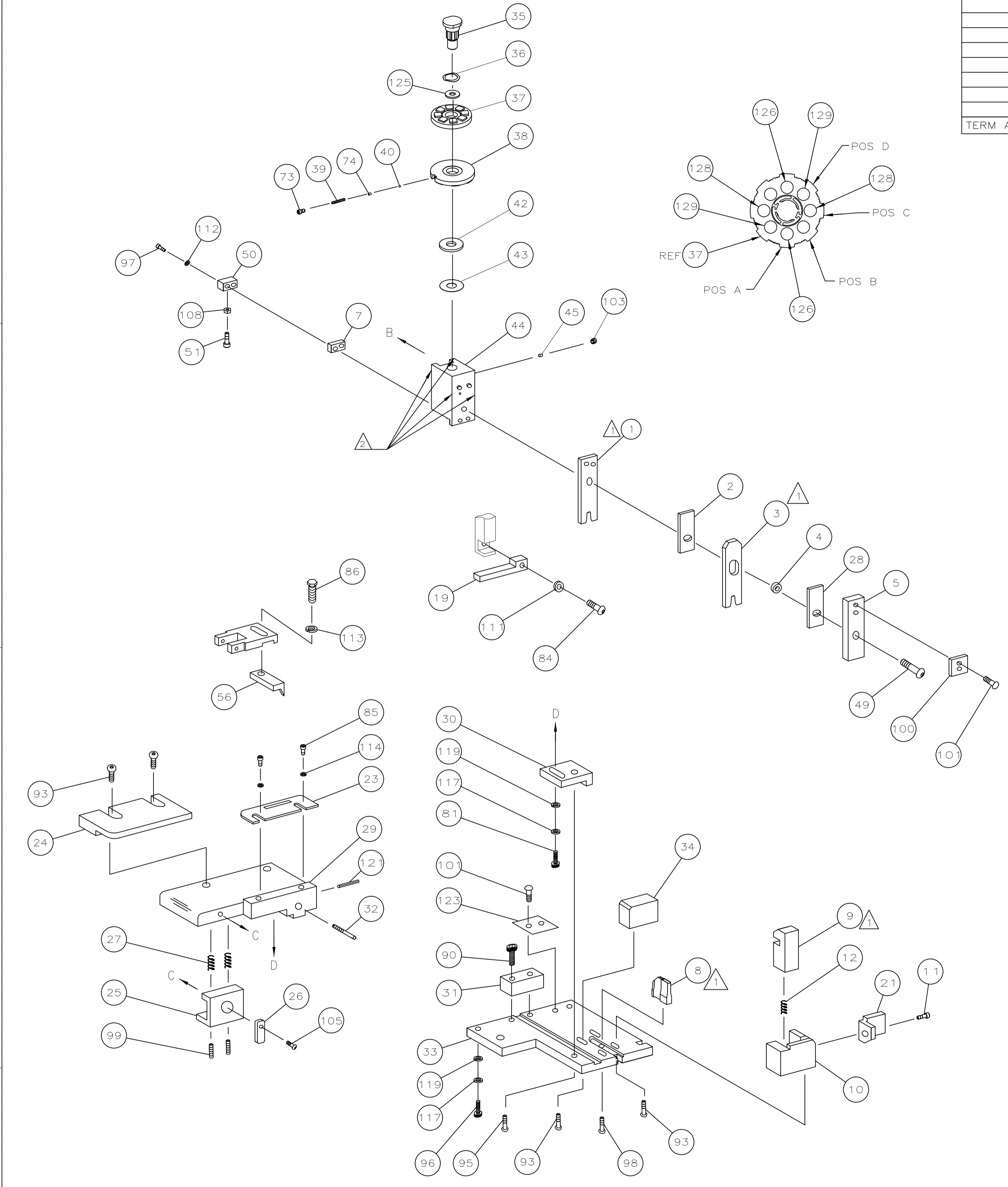


PART NUMBER	REV	FIRST USED
466907-2	P	463345-1
7-466907-7	N	-

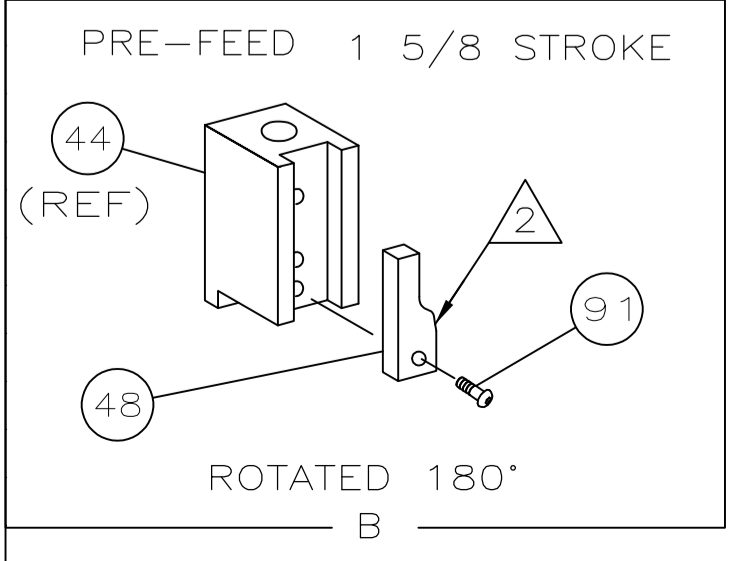
TERMINAL NAME:		CRIMPING DATA		
CONTACT, TYPE III, V1 & X		VISIBLE PAD LTR	CRIMP HEIGHT	WIRE SIZE
PIN	SOCKET	A	.038 ±.002	22
66102	66104	B	.036 ±.002	24
66192	66194	C	.042 ±.002	20 Δ
66296	66297	D	NOT	USED
66583	66584	CRIMP	SIZE	TYPE
164160	66662	WIRE	.062	F
66645	163087	INSUL	.090	0
66671	170247	FEED	.500	APPL INST
163085				SET UP GAGE
170245				LAYOUT
				162
				WIRE STRIP LENGTH
				-

LOC		DIST		REVISIONS				
A	66	P	LTR	DESCRIPTION	DATE	OWN	APVD	
		P		ECR-08-011943	5-2008	MY	GB	



QTY	REF	PART NO	DESCRIPTION	ITEM NO
-	2	5-354779-8	PIN, WIRE DISC (.3280)D	129
-	2	5-354779-4	PIN, WIRE DISC (.3260)C	128
-	2	4-354779-5	PIN, WIRE DISC (.3215)A	126
-	1	986950-1	WASHER, FLAT PRECISION	125
-	1	690701-2	PLATE, SERIAL NO.	123
-	1	4-21028-0	PIN,SLT SPR(ϕ .093x.75)ST GDE PL	121
-	2	21899-2	WASHER,FLAT(#10)S G ADJ BLK	119
-	2	21024-5	WASHER, LOCK(#10)ADJ BLOCK	117
-	2	21024-2	WASHER,LOCK(#4)FRONT STP GUIDE	114
-	REF	21024-4	WASHER,LOCK(#8)FEED FINGER	113
-	2	21024-4	WASHER,LOCK(#8)DEP-HOLD	112
-	REF	21024-4	WASHER,LOCK(#8)STRIPPER	111
-	1	21018-5	NUT,HEX(#6)HOLD DOWN	108
-	1	22353-8	SCR,SHLD(ϕ .187x.25)DRAG LEVER	105
-	1	21009-2	SCR,SKT SET(1/4-20x.25 LW)RAM	103
-	4	21017-2	SCR,DRIVE(#2x.19)ID PLATE	101
-	1	819347-1	PLATE, IDENTIFICATION	100
-	2	5-21006-6	SCR,SET(10-32x.75)DRAG	99
-	1	22733-8	SCR,BHC(8-32x.38 LW)ANVIL	98
-	2	3-21000-0	SCR,SHC(8-32x.88)DEP HOLD	97
-	1	3-21000-8	SCR,SHC(10-32x.88)MOUNTING	96
-	1	2-21002-7	SCR,BHC,(10-32x.50)SG ADJ BLK	95
-	6	2-21002-2	SCR,BHC(8-32x.50)R STP GDE	93
-	1	1-21002-7	SCR,SHC(6-32x.50)CAM	91
-	2	2-21000-7	SCR,SHC(8-32x.50)SCR BLK	90
-	REF	2-22603-0	SCR,HEX HD(8-32x.31)FEED FINGER	86
-	2	1-21000-3	SCR,SHC(4-40x.25)F ST GUIDE	85
-	REF	22733-9	SCR,BHC(8-32x.50 SL)STRIPPER	84
-	1	3-22603-1	SCR,HEX(10-32x.38)SG ADJ BL	81
-	2	463310-6	BLADE, STRIPPING (#22)	77
-	1	690603-1	SPRING, ASSIST	74
-	1	23030-1	SCR,SKT CAP(6-32x.25)CP DSC	73
-	1			72
-	1			71
-	77	-2	U/M	

QTY	REF	PART NO	DESCRIPTION	ITEM NO
-	70			
-	69			
-	68			
-	67			
-	66			
-	65			
-	64			
-	63			
-	62			
-	61			
-	60			
-	59			
-	58			
-	57			
-	56	694433-8	PAWL, FEED	
-	55			
-	54			
-	53			
-	52			
-	51	811242-2	BUMPER, HOLDDOWN	
-	50	690753-1	SPACER, TONKER	
-	49	7-21002-9	BOLT, CRIMPER(5/16x1.00)	
-	48	690602-6	CAM, PRE-FEED 1.62 STROKE	
-	47			
-	46			
-	45	690191-1	PLUG, NYLON	
-	44	455673-1	RAM	
-	43	690125-1	WASHER, LAMINATED	
-	42	640124-1	WASHER, RAM	
-	41			
-	40	23241-6	BALL, STEEL	
-	39	690170-1	SPRING, COMPRESSION	
-	38	690142-1	DISC, INSULATION	
-	37	354777-1	WIRE DISC, PLASTIC	
-	36	22480-5	WASHER, SPRING	
-	35	690212-1	POST, RAM	
-	34	692776-1	SUPPORT, TERMINAL	
-	33	462544-1	PLATE, BASE SPECIAL	
-	32	690432-3	SCREW, ADJUSTMENT	
-	31	462543-1	BLOCK, SCREW SPECIAL	
-	30	455689-1	BLOCK, STRIP GUIDE ADJ	
-	29	458144-1	PLATE, STRIP GUIDE	
-	28	1-455888-0	SPACER, FRONT SHEAR DEP	
-	27	1-22284-0	SPRING, DRAG	
-	26	240793-1	LEVER, DRAG RELEASE	
-	25	240792-1	DRAG, TERMINAL	
-	24	90765-4	GUIDE, STRIP (REAR)	
-	23	690438-1	GUIDE, STRIP (FRONT)	
-	22			
-	21	463756-1	GUIDE, SCRAP	
-	20			
-	19	462615-1	STRIPPER	
-	18			
-	17			
-	16			
-	15			
-	14			
-	13			
-	12	3-22280-3	SPRING, SHEAR	
-	11	690461-2	STOP, SHEAR (FRONT)	
-	10	462548-1	HOLDER, SHEAR (FRONT) SP	
-	9	462547-1	SHEAR, FLOAT (FRONT) SP	
-	8	8-458834-6	ANVIL	
-	7	5-240641-1	SPACER, DEPRESSOR (REAR)	
-	6			
-	5	462838-1	DEPRESSOR, SHEAR (FRONT) SP	
-	4	2-238011-2	SPACER, BLOCK CRIMPER	
-	3	4-456135-4	CRIMPER, INSULATION	
-	2	455888-2	SPACER, CRIMPER	
-	1	1-456403-2	CRIMPER, WIRE	
-	77	-2	U/M	



- Δ 1 RECOMMENDED SPARE PARTS.
- Δ 2 GREASE LIGHTLY.
- Δ 3 ITEM NOT SHOWN
- Δ 4 #20 WIRE IS NOT RECOMMENDED.

THIS DRAWING IS A CONTROLLED DOCUMENT.

DIMENSIONS: INCHES	TOLERANCES UNLESS OTHERWISE SPECIFIED:	DATE: 9/9/93	BY: D. SALTZER	APPROVED: E. KRISTMAN	NAME: E. KRISTMAN
0. PLC ± .005	1. PLC ± .002	10-5-93			
2. PLC ± .001	3. PLC ± .0005				
4. PLC ± .0002	ANGLES ± .005				
MATERIAL: -	FINISH: -	PRODUCT SPEC: -	APPLICATION SPEC: -	SIZE: A1	CAGE CODE: 00779
CUSTOMER DRAWING		SCALE: -	SHEET: 1 of 1	REV: P	

Tyco Electronics Corporation
Harrisburg, PA 17105-3608

STRIPPER CRIMPER APPLICATOR