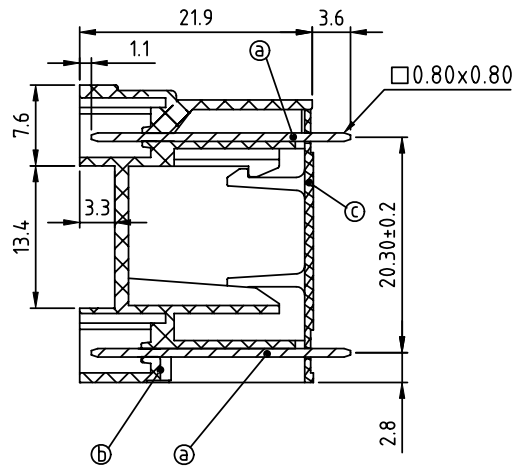
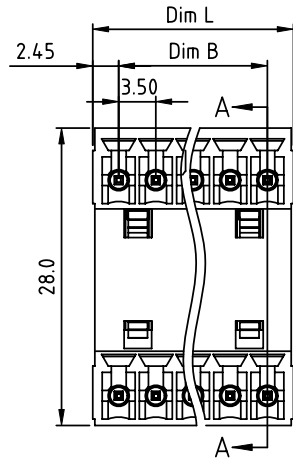
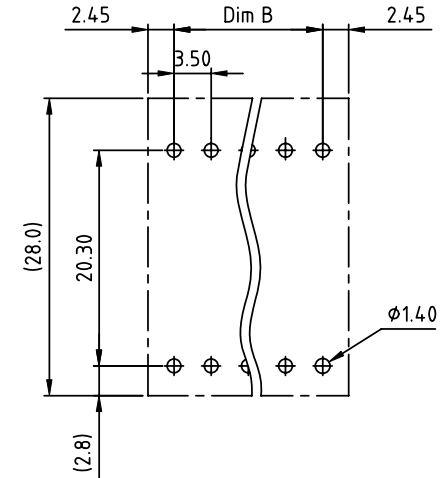


PRODUCT NUMBER	PITCH
VLxx11x000J0G	3.50 mm



SECTION A-A



RECOMMENDED P.C.B LAYOUT
TOP VIEW

Material:

- Item @ pin: Copper Tin plated
- Item ① Terminal(housing): Thermoplastic (UL94V-0)
- Item ② Terminal(cover): Thermoplastic (UL94V-0)

Electrical:

- cULus
- Voltage rating: 300V
- Current rating: 10A
- Withstanding Voltage: 1.6 KV
- Operating temperature: -40°C to +115°C
- Soldering temperature: 260°C±5°C/5 Sec
- Safety Approval:

N=Number of poles

DIM L	$N/2 \times 3.5 + 1.4$
DIM B	$(N/2 - 1) \times 3.5$

Poles	Tolerance
2x2p-2x4p	±0.15
2x5p-2x8p	±0.20
2x9p-2x13p	±0.25
2x13p-2x17p	±0.30
2x18p-2x24p	±0.35

PART NO.: VL xx 1 1 x 0 00J0 G

		Color	RoHS compliant (lead<4%) In copper Alloy
Solid block	0	Black (RAL9005)	
No. of poles	2	Red (RAL3001/D)	
04 2x2poles	3	Orange(RAL2011/P)	
06 2x3poles	4	Yellow(RAL1018/A)	
...	...	5 Green(RAL6018/T)	
48 2x24poles	6	Blue (RAL5015/A)	
	8	Grey(RAL7035/D)	
	9	White(RAL1102)	
	C	Green(RAL6018/U)	

mat'l. code		surface ASME Y14.5 ✓	tolerance ASME Y14.5	projection 	product family TERMINAL BLOCK
ltr	ecn no	dr	date	tolerances unless otherwise specified	title TERMINAL BLOCK
				angles $X \pm 1^\circ$	PLUGGABLE SOCKET, VERTICAL
				scale	dwg no VLxx11x000J0G
		dr	EVIN ZHONG	042514	sheet 1 of 1
		enr	EVIN ZHONG	042514	size A4
		chr	HANKE FENG	042514	
		appd	SHI JUN	042514	type CUSTOMER Drawing
sheet index	revision sheet	A	1		